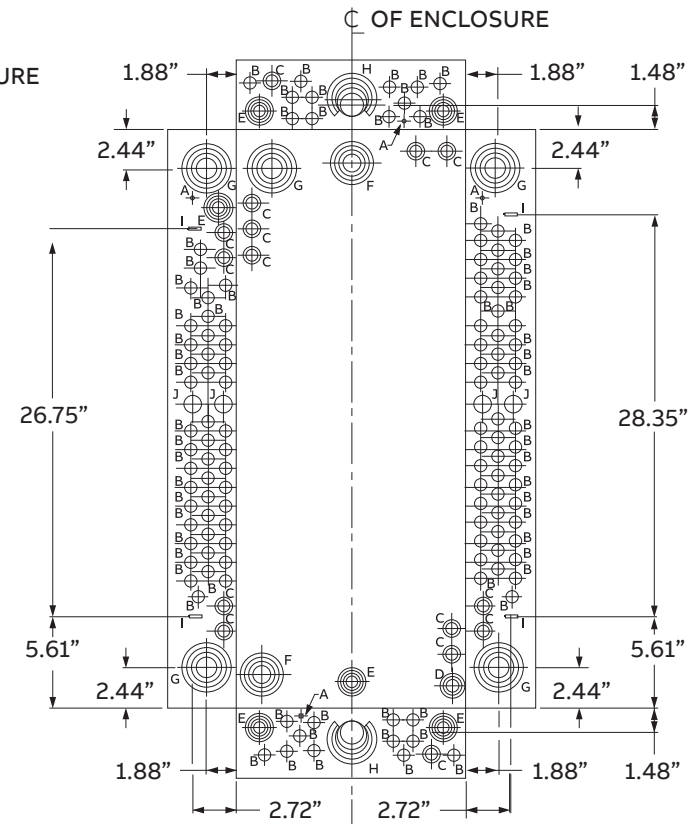


CAT. NO.	MODEL
TLM4020C80GK	1
TLM4020C80G2	1
TM4015C80	1
TM4020C80	1
TM4020C80K	1

SYMBOL	SIZE	QTY.
A	9/32 KO	4
B	1/2 KO	122
C	1/2 x 3/4 KO	15
D	1/2 x 3/4 x 1 KO	1
E	1/2 X 3/4 x 1 x 11/4 KO	5
F	1 x 11/4 x 11/2 x 2 KO	2
G	1 x 11/2 x 2 X 2 1/2 KO	5
H	1 x 11/4 x 11/2 x 2 x 2 1/2 KO	2
I	.219 x .08 OBLONG KO	4
J	3/4 KO	4



**KNOCKOUT DIAGRAM**

ALL DIMENSIONS HAVE +/-125 TOLERANCE

NOTE: ALL KO LOCATING  
DIMENSIONS ARE INSIDE  
OF BOX

<b>OUTLINE DRAWING INDOOR LOAD CENTER</b>		
DWG NO.	DATE	REV
10103091SH234	01/10/21	03