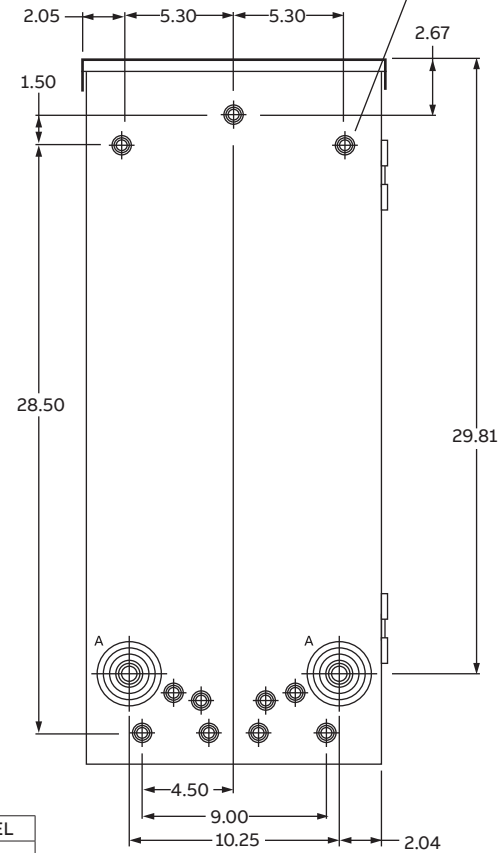


SYMBOL	SIZE	QTY.
A	1/2 x 3/4 x 1 x 11/2 x 2 x 2 1/2	5
B	1/2 x 3/4	12
C	9/32	1
D	1/2	8
E	3/4 x 1 x 11/4	1
F	1 x 11/4 x 11/2 x 2	1

Ø 0.25 DIA. HOLE
MOUNTING HOLES (5X)
ON THE BACK SURFACE OF THE ENCLOSURE



CAT. NO.	MODEL
TLM3220RCU	7
TM3215RCU1K	7
TM3215RCU	7
TM3220RCU	7
TM3220RCUP	1
TM3220R64K	1
TM3215R64K	1
TM3220RCU3K	7
TM3220RCUB2K	1
TM3220RCUB1K	1
TM3220RCUAF3K	7
TM3220RCUAF4K	7
TM3220RCUAF5K	7

NOTE: ALL KO LOCATING DIMENSIONS ARE INSIDE OF BOX



OUTLINE DRAWING
LOAD CENTER

DWG NO.	DATE	REV
10103091SH238	01/10/21	02