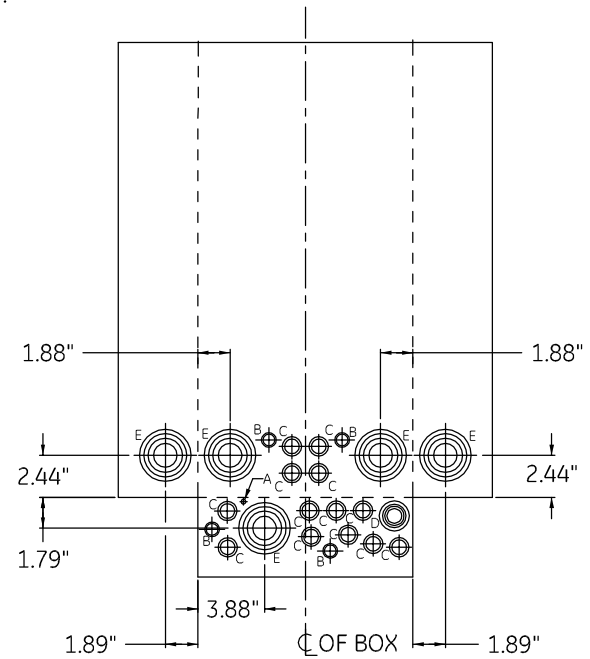


CLOSING CAP SUPPLIED.
FOR UNIVERSAL HUBS
SEE CHART BELOW.



KNOCKOUT DIAGRAM

NOTE: ALL KO LOCATING
DIMENSIONS ARE INSIDE
OF BOX.

| UNIVERSAL HUB | |
|---------------|-------------|
| CONDUIT SIZE | CATALOG NO. |
| 3/4 | TC75 |
| 1 | TC100 |
| 1 1/4 | TC125 |
| 1 1/2 | TC150 |
| 2 | TC200 |
| 2 1/2 | TC250 |
| CLOSING CAP | TCCP |

| CAT. NO. | MODEL |
|-----------|-------|
| TLC24415R | 1 |

| SYMBOL | SIZE | QTY. |
|--------|--------------------------|------|
| A | 9/32 KO | 1 |
| B | 3/8 X 1/2 KO | 4 |
| C | 1/2 X 3/4 KO | 13 |
| D | 1/2 X 3/4 X 1 X 1 1/4 KO | 1 |
| E | 1 X 1 1/2 X 2 X 2 1/2 KO | 5 |

ALL DIMENSIONS HAVING +/- .125 TOLERANCE

 imagination at work

OUTLINE DRAWING
CSA OUTDOOR LOAD CENTER

| DWG. NO. | DATE | REV |
|---------------|----------|-----|
| 10103091SH172 | 12/30/09 | 01 |