

14

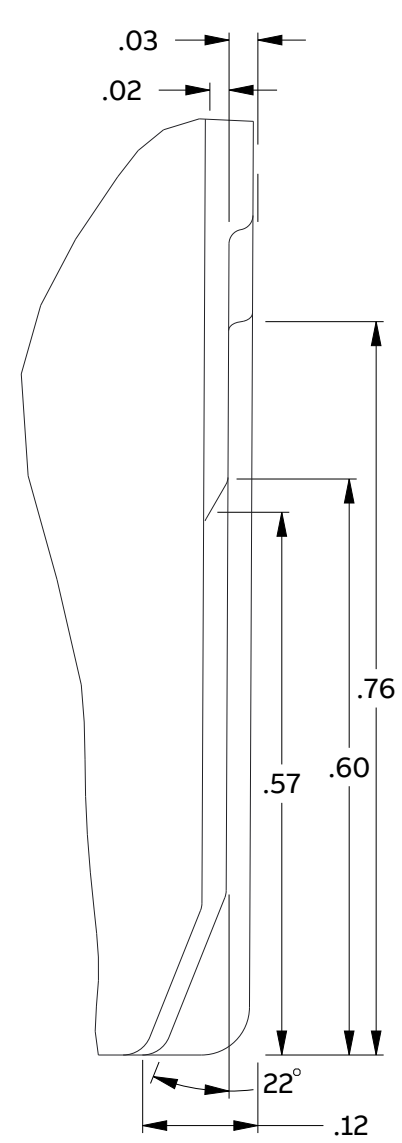
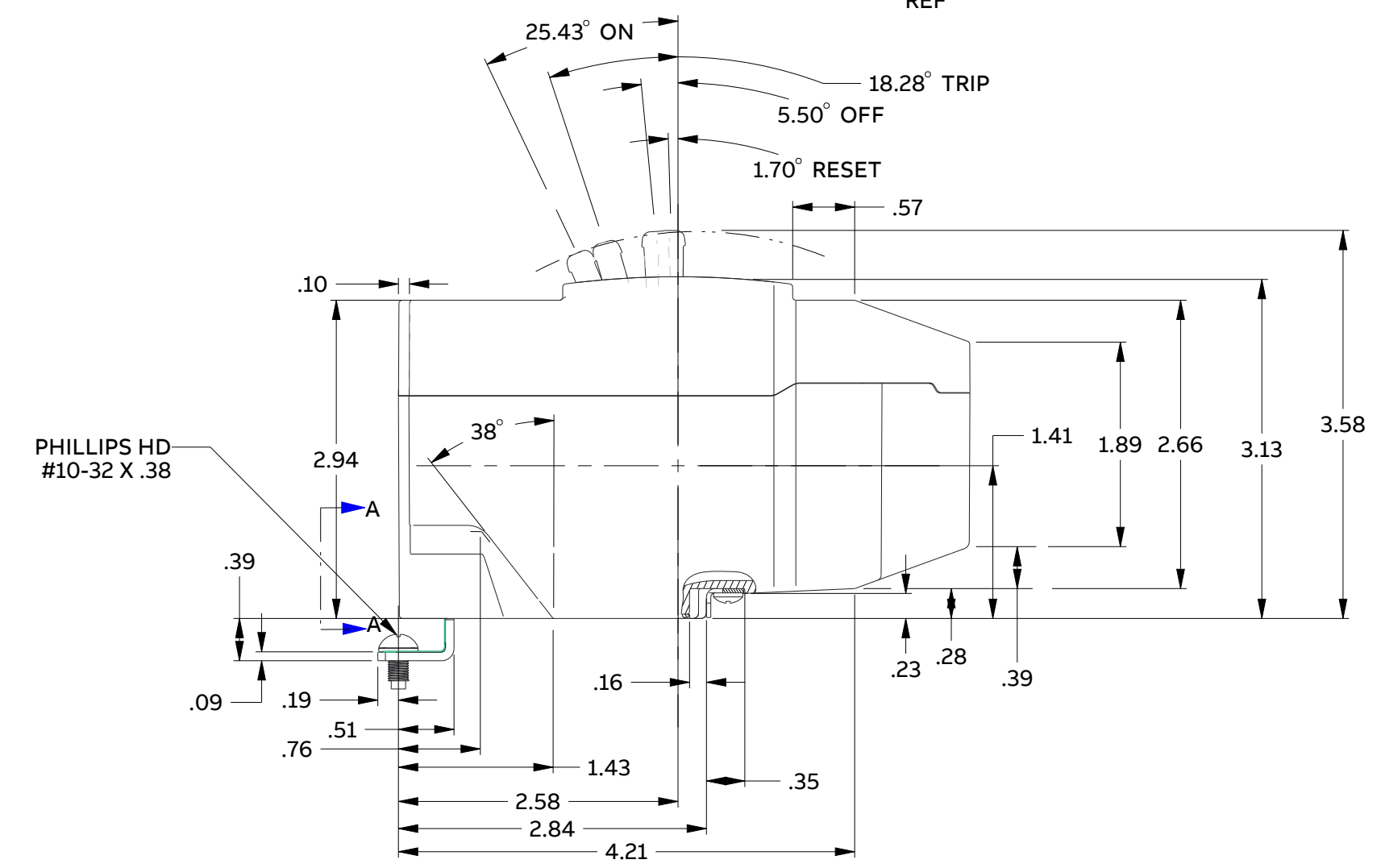
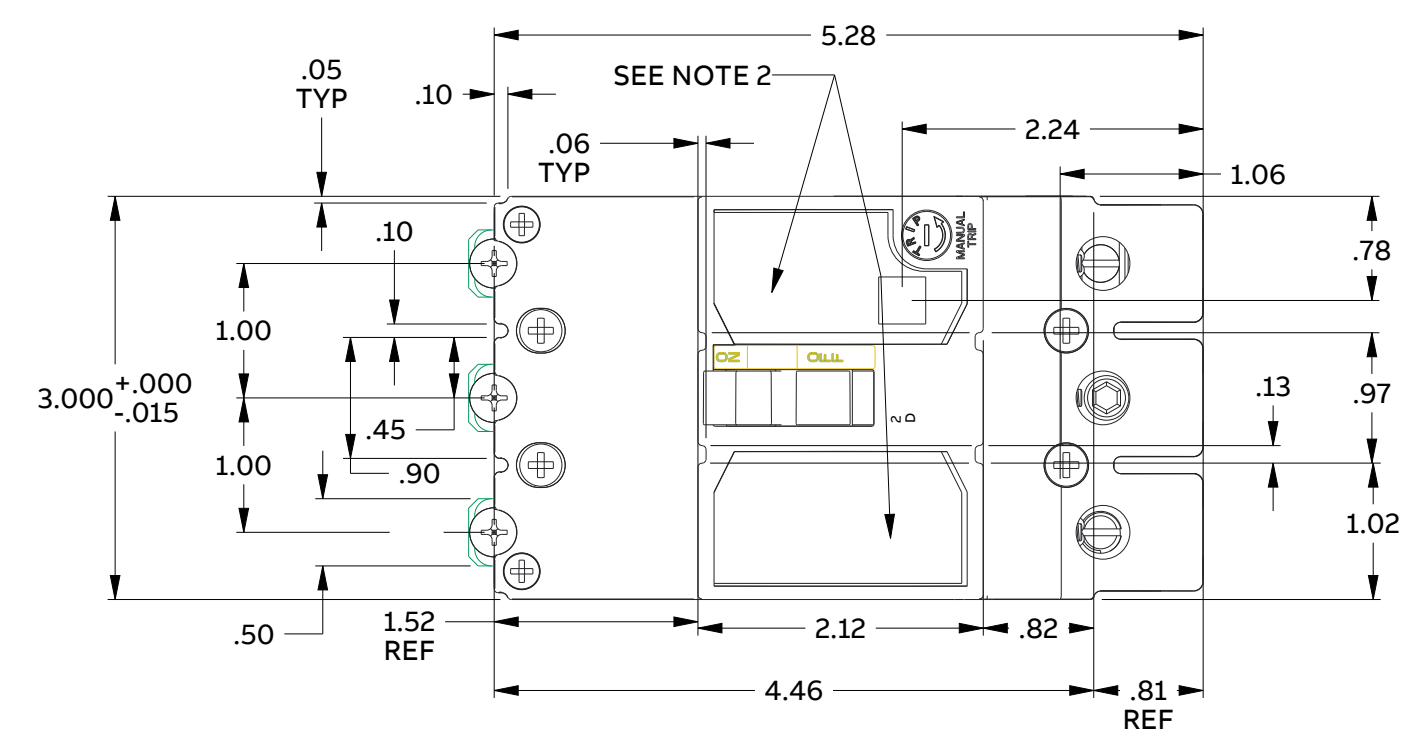
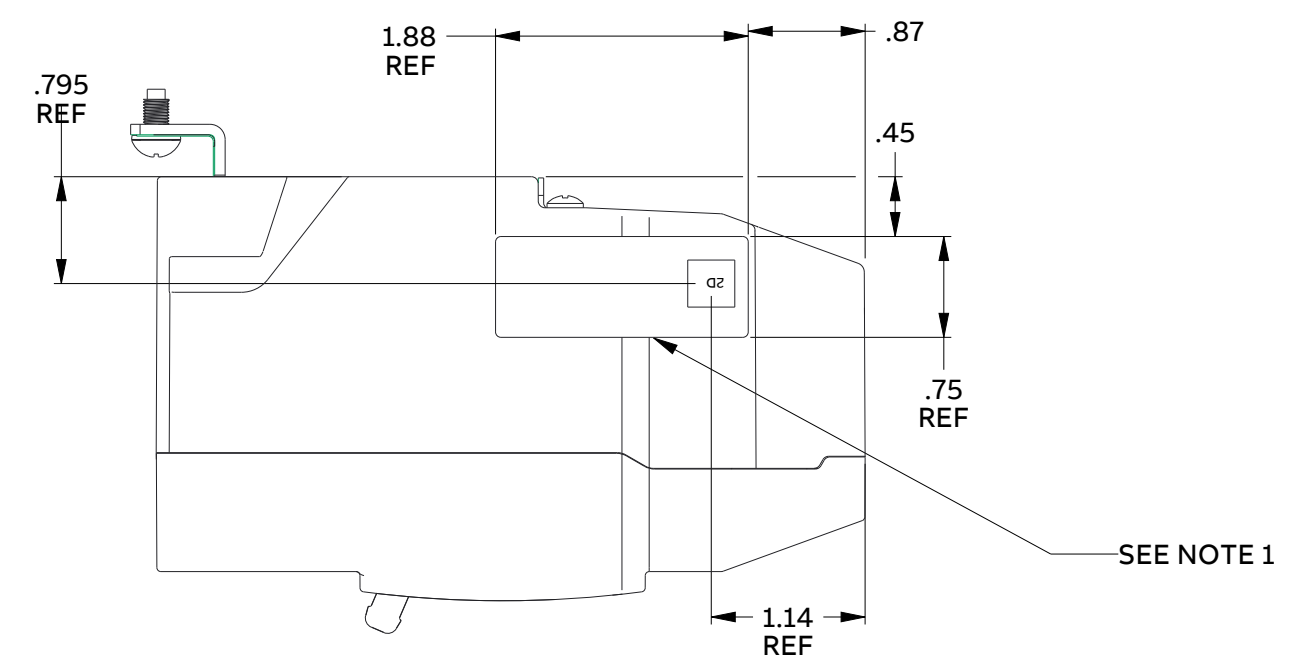
13

12

11

NOMINAL HANDLE OPERATING FORCES (LBS)	
ON TO OFF	6.5
TRIP TO RESET	7.5
OFF TO ON	2.2

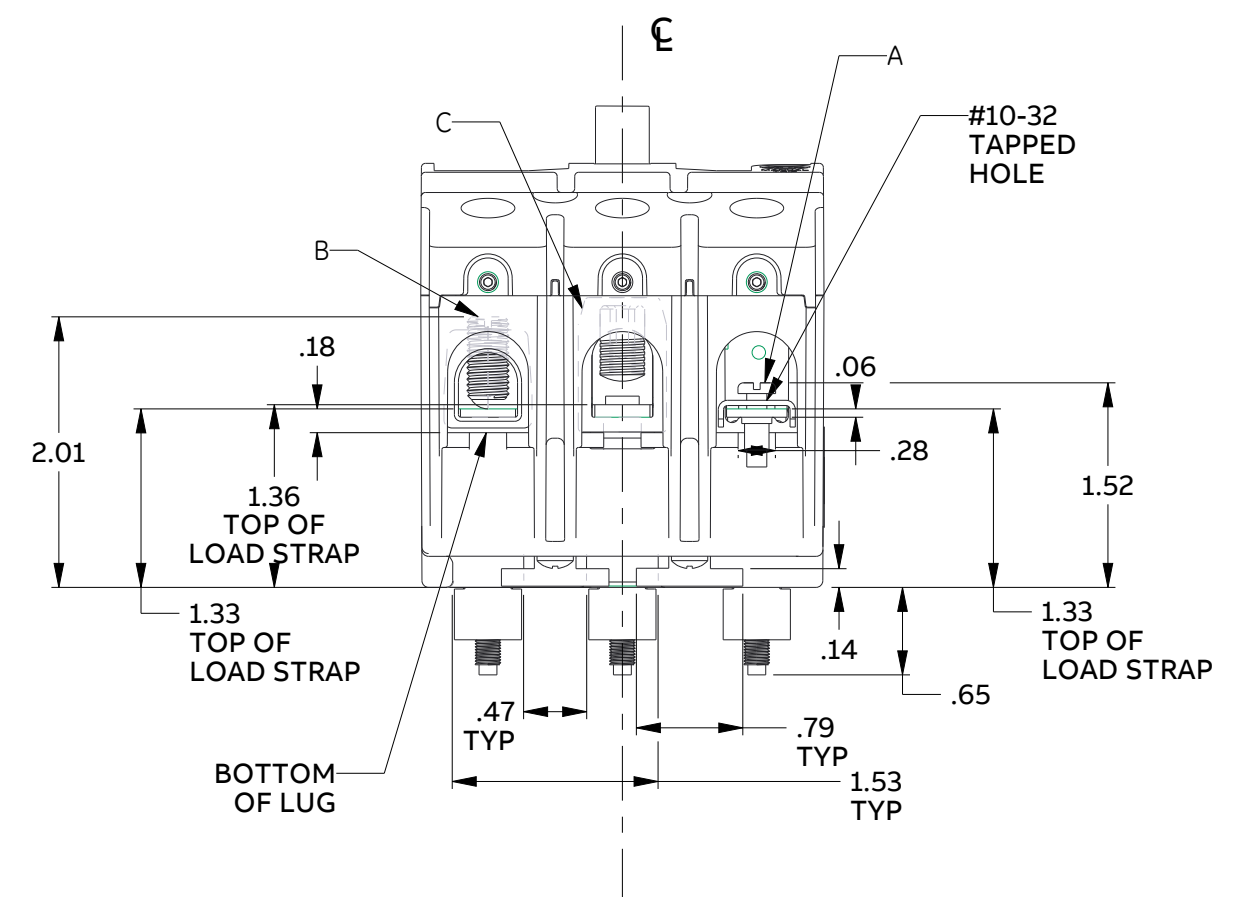
WIRE CONNECTOR	USED ON	WIRE RANGE		LOAD END LUG TORQUE TO WIRE	LINE END MOUNTING SCREW TORQUE
		CU	AL		
A (SADDLE CLAMP)	15A - 20A	#12 - #14	#10 - #12	#10, 12, 14 - 35LB - IN	25 - 32LB - IN
B (LUG)	30A - 60A	#10 - #6	#8 - #4	#10 - 35LB - IN #8 - 40LB - IN #6, #4 - 45LB - IN	
	70A - 100A	#4 - #1	#2 - 1/O	#4 - 1/O - 45LB - IN	
C (LUG)	110 - 125A	#3 - 3/0	#1 - 3/0	100 LB - IN	



VIEW A-A

NOTE :

- 1. FOR LABEL DETAILS REFER PART # 10107781P1
- 2. FOR LABEL DETAILS REFER PART # 10107221P1



Industrial Solutions

by ABB

OUTLINE DRAWING  
TEYD/H/L - 3 POLE

THIRD ANGLE	SHEET#	DWG NO.	DATE	REV
	1 of 1	10106029SH1	10/19	4

SH1

14

13

12

11