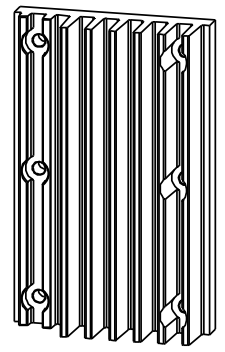
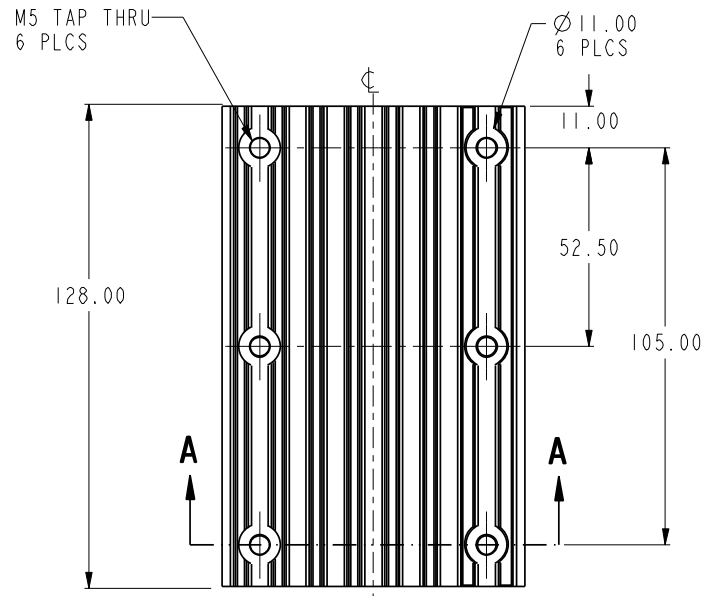


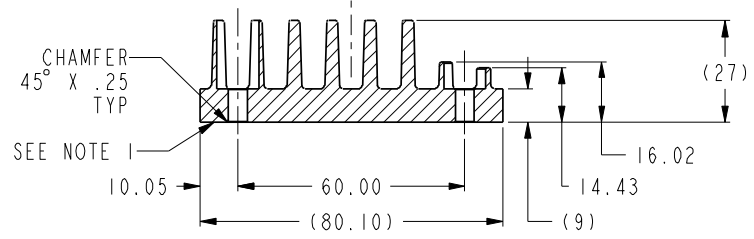
**GE PROPRIETARY AND CONFIDENTIAL INFORMATION**  
 This document is the property of General Electric Company ("GE") and contains proprietary information of GE. This document is loaned on the express condition that neither it nor the information contained therein shall be disclosed to others without the express written consent of GE Industrial Systems, and that the information shall be used by the recipient only as approved expressly by GE Industrial Systems. This document shall be returned to GE upon its request. This document may be subject to certain restrictions under U.S. export control laws and regulations.

REVISIONS			
REV.	DESCRIPTION	DATE	APPROVED
1	R1102469	YY 02/03/11	AJ

METRIC



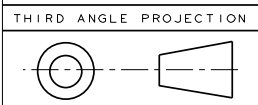
ISOMETRIC VIEW



SECTION A-A

MATERIAL: USE EXTRUSION PROFILE 10100048P1  
 FINISH : F65B5 (ANODIZED ALUMINIUM LUSTROUS BLACK FINISH)  
 NOTE 1 : CONTACT MAKING SURFACES TO BE DENT & BURR FREE

P1



Article or Material Must Conform to RoHS Procedure SI900000 Sec. 13  
 Part must conform to SI 900000 Sect. 4, Toxicity Procedure

FOR ADDITIONAL INFO REFER TO:	SIGNATURES	DATE
APPLIED PRACTICES EDB	MODEL	JOE 02/03/11
DIMENSIONS ARE IN MILLIMETERS	DETAIL	YY 02/03/11
<b>UNLESS OTHERWISE SPECIFIED IN DRAWING</b>	CHECKED	RAGHAV 02/03/11
TOLERANCE ON:	ENGRG	.
1 PL DECIMALS ± 0.3	MFG	.
2 PL DECIMALS ± 0.20	QUALITY	.
ANGLES ± 0.5	ISSUED	.
FRACTIONS ±		
FINISH		
CRITICAL TO QUALITY CHARACTERISTIC	DRAWING FILE:	10108065P1
	SOLID MODEL:	10108065P1

**GE Consumer & Industrial** GENERAL ELECTRIC COMPANY

TITLE HEATSINK SHORTING TERMINAL LH FOR UL PV BREAKER 3000A

SIZE DRAWING A3 10108065 REV 1

SCALE: 4:5 REF. No. SHEET 1 of 1

METRIC