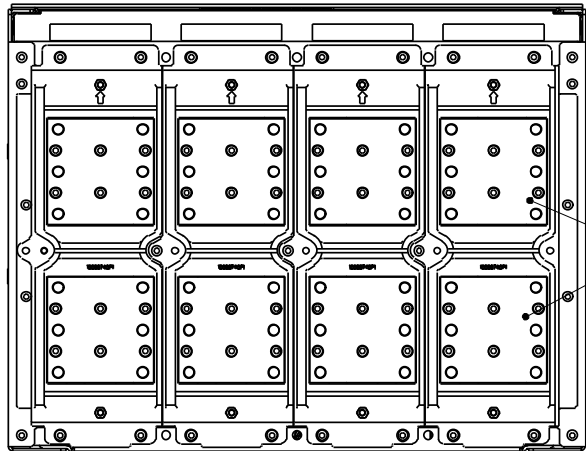
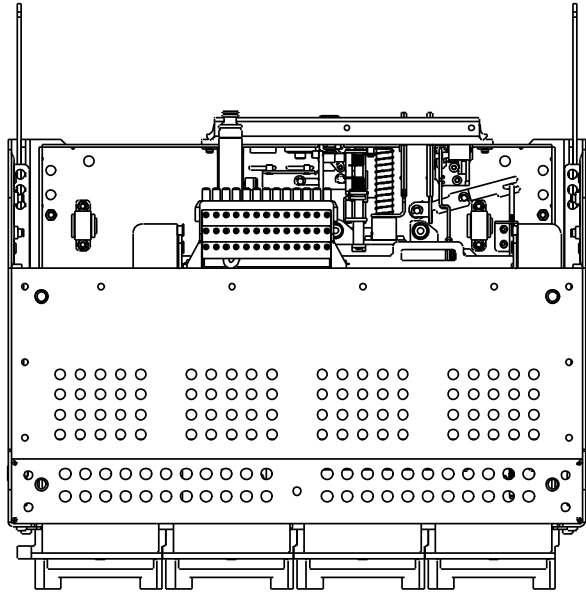


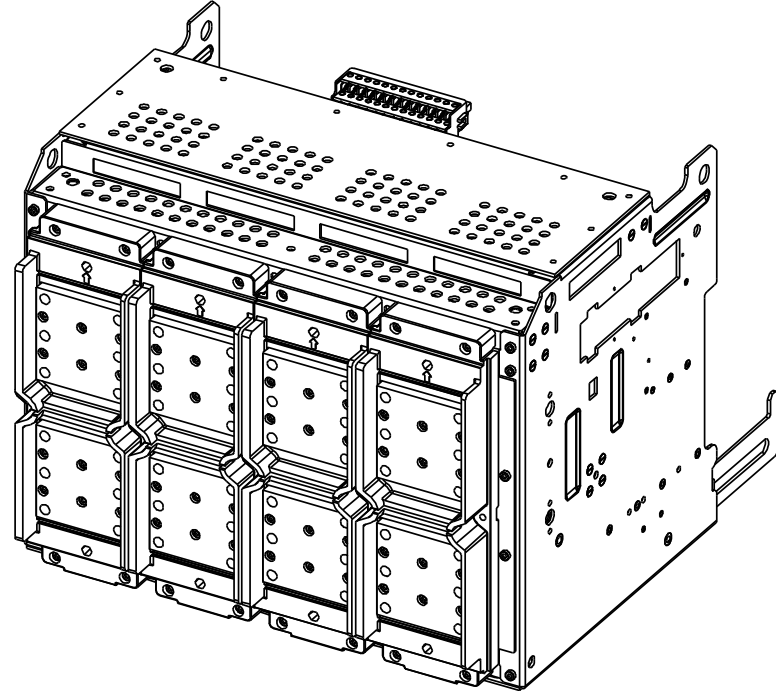
10108126
REV 1
SHEET 1
SIZE DRAWING NO.
A3



GE PROPRIETARY AND CONFIDENTIAL INFORMATION
 This document is the property of General Electric Company ("GE") and contains proprietary information of GE. This document is loaned on the express condition that neither it nor the information contained therein shall be disclosed to others without the express written consent of GE Industrial Systems, and that the information shall be used by the recipient only as approved expressly by GE Industrial Systems. This document shall be returned to GE upon its request. This document may be subject to certain restrictions under U.S. export control laws and regulations.

REVISIONS			
REV.	DESCRIPTION	DATE	APPROVED
1	R1102469	YY 02/18/11	AJ

METRIC

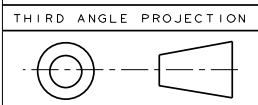


ISOMETRIC VIEW

NOTE A

PV1

NOTE A: THIS POLE WILL NOT BE AVAILABLE FOR USE IN 3 POLEBREAKER VERSION.



Article or Material Must Conform to RoHS Procedure SI900000 Sec. 13
 Part must conform to SI 990000 Sect. 4, Toxicity Procedure

FOR ADDITIONAL INFO REFER TO: APPLIED PRACTICES EDB	SIGNATURES	DATE
DIMENSIONS ARE IN MILLIMETERS UNLESS OTHERWISE SPECIFIED IN DRAWING	MODEL JOE	03/01/11
TOLERANCE ON: 1 PL DECIMALS ± 0.3 2 PL DECIMALS ± 0.13 ANGLES ± 0.5 FRACTIONS ±	DETAIL YY	03/01/11
FINISH	CHECKED RAGHAV	03/01/11
◇ CRITICAL TO QUALITY CHARACTERISTIC	ENGRG	
	MFG	
	QUALITY	
	ISSUED	
	DRAWING FILE: 10108126PV1	
	SOLID MODEL: 10108126G1	

GE GE Consumer & Industrial GENERAL ELECTRIC COMPANY

TITLE **TERMINAL KIT MOUNTING ASM FOR UL PV BREAKER 3000A**

SIZE DRAWING A3

SCALE: 1:10 REF. No.:

REV 1

10108126

SHEET 1 of 1

METRIC