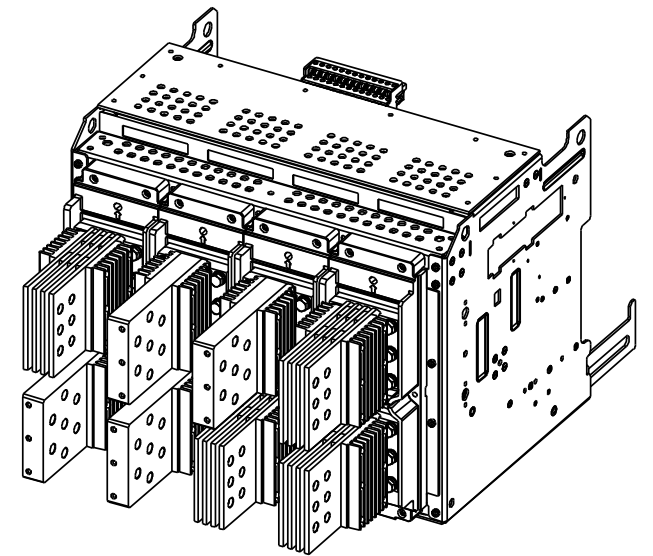
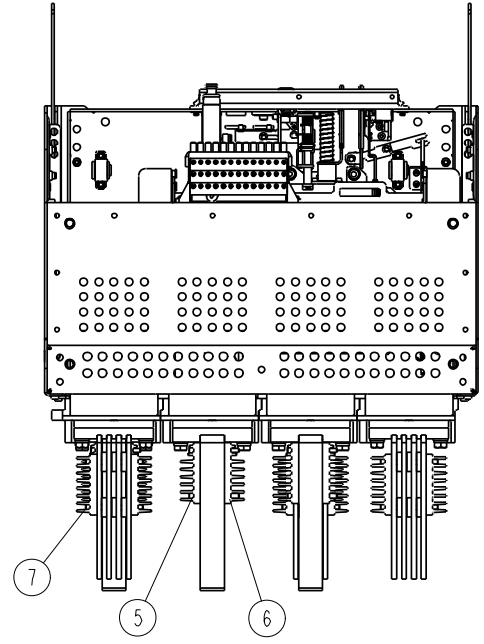


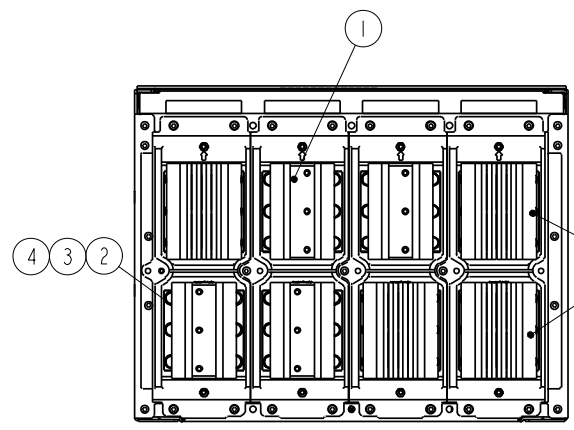
**GE PROPRIETARY AND CONFIDENTIAL INFORMATION**  
 This document is the property of General Electric Company ("GE") and contains proprietary information of GE. This document is loaned on the express condition that neither it nor the information contained therein shall be disclosed to others without the express written consent of GE Industrial Systems, and that the information shall be used by the recipient only as approved expressly by GE Industrial Systems. This document shall be returned to GE upon its request. This document may be subject to certain restrictions under U.S. export control laws and regulations.

| REVISIONS |             |             |          |
|-----------|-------------|-------------|----------|
| REV.      | DESCRIPTION | DATE        | APPROVED |
| 1         | R1102469    | YY 02/18/11 | AJ       |

METRIC



ISOMETRIC VIEW



NOTE A

PV3

| ITEM | QTY | MODEL NAME | DESCRIPTION                          |
|------|-----|------------|--------------------------------------|
| 7    | 24  | 10100900P6 | HEX SOCKET HEAD CAP SCREW M6X70      |
| 6    | 4   | 10108065PI | HEAT SINK SHORTING TERMINAL LH       |
| 5    | 4   | 10108066PI | HEAT SINK SHORTING TERMINAL RH       |
| 4    | 24  | 10100541PI | HEX SOCKET HEAD CAP SCREW - M10 X 50 |
| 3    | 24  | 10100954PI | SPRING LOCK WASHER M10               |
| 2    | 24  | 10100950P3 | WASHER M10                           |
| 1    | 4   | 10100274GI | FR2, CASSETTE TERMINAL ASSY          |

BILL OF MATERIAL

| TIGHTENING TORQUES |                 |
|--------------------|-----------------|
| FASTNER TYPE       | TORQUE VALUE Nm |
| M6                 | 8 Nm            |
| M10                | 60 Nm           |

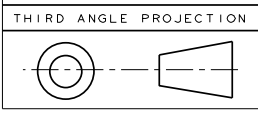
| FOR ADDITIONAL INFO REFER TO:                |     | SIGNATURES    |             | DATE     |
|--|-----|---------------|-------------|----------|
| APPLIED PRACTICES                            | EDB | MODEL         | JOE         | 03/01/11 |
| DIMENSIONS ARE IN MILLIMETERS                |     | DETAIL        | YY          | 03/01/11 |
| <b>UNLESS OTHERWISE SPECIFIED IN DRAWING</b> |     | CHECKED       | RAGHAV      | 03/01/11 |
| TOLERANCE ON:                                |     | ENGRG         | .           | .        |
| 1 PL DECIMALS ± 0.3                          |     | MFG           | .           | .        |
| 2 PL DECIMALS ± 0.13                         |     | QUALITY       | .           | .        |
| ANGLES ± 0.5                                 |     | ISSUED        | .           | .        |
| FRACTIONS ±                                  |     | DRIVING FILE: | 10108126PV3 |          |
| FINISH                                       |     | SOLID MODEL:  | 10108126G1  |          |
| CRITICAL TO QUALITY CHARACTERISTIC           |     |               |             |          |

**GE Consumer & Industrial** GENERAL ELECTRIC COMPANY

TITLE **TERMINAL KIT MOUNTING ASM FOR UL PV BREAKER 3000A**

NOTE A: THIS POLE WILL NOT BE AVAILABLE FOR USE IN 3 POLEBREAKER VERSION.

Article or Material Must Conform to RoHS Procedure SI900000 Sec. 13 Part must conform to SI 900000 Sect. 4, Toxicity Procedure



SIZE DRAWING A3  
 SCALE: 1:10 REF. No.:  
 10108126 REV 1 SHEET 1 of 1

METRIC