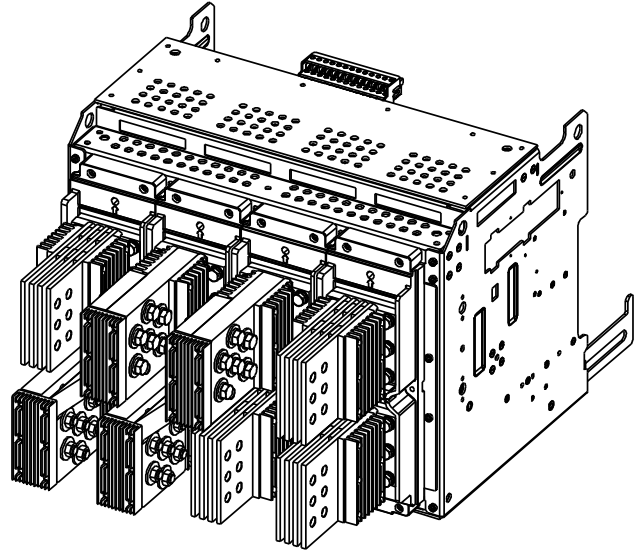
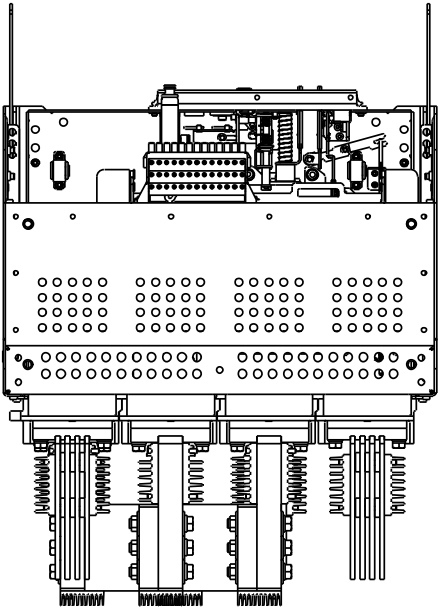


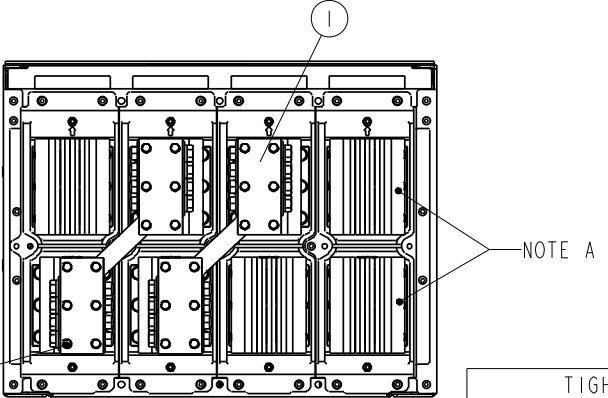
GE PROPRIETARY AND CONFIDENTIAL INFORMATION
 This document is the property of General Electric Company ("GE") and contains proprietary information of GE. This document is loaned on the express condition that neither it nor the information contained therein shall be disclosed to others without the express written consent of GE Industrial Systems, and that the information shall be used by the recipient only as approved expressly by GE Industrial Systems. This document shall be returned to GE upon its request. This document may be subject to certain restrictions under U.S. export control laws and regulations.

REVISIONS			
REV.	DESCRIPTION	DATE	APPROVED
1	R1102469	YY 2/18/11	AJ

METRIC



ISOMETRIC VIEW



NOTE A

PV5

ITEM	QTY	MODEL NAME	DESCRIPTION
3	24	N22P21012B6	SCREW
2	24	N405P48B6	LOCK WASHER
1	4	10108067P1	HEATSINK FOR SHORTING LINKS

BILL OF MATERIAL

TIGHTENING TORQUES	
FASTNER TYPE	TORQUE VALUE Nm
M6	8 Nm

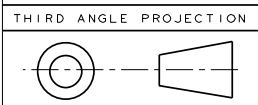
FOR ADDITIONAL INFO REFER TO:		SIGNATURES		DATE
APPLIED PRACTICES	EDB	MODEL	JOE	03/01/11
DIMENSIONS ARE IN MILLIMETERS		DETAIL	YY	03/01/11
UNLESS OTHERWISE SPECIFIED IN DRAWING		CHECKED	RAGHAV	03/01/11
TOLERANCE ON:		ENGRG	-	-
1 PL DECIMALS ± 0.3		MFG	-	-
2 PL DECIMALS ± 0.13		QUALITY	-	-
ANGLES ± 0.5		ISSUED	-	-
FRACTIONS ±		DRIVING FILE:	10108126PV5	
FINISH		SOLID MODEL:	10108126G1	
CRITICAL TO QUALITY CHARACTERISTIC				

GE Consumer & Industrial GENERAL ELECTRIC COMPANY

TITLE **TERMINAL KIT MOUNTING ASM FOR UL PV BREAKER 3000A**

NOTE A: THIS POLE WILL NOT BE AVAILABLE FOR USE IN 3 POLEBREAKER VERSION.

Article or Material Must Conform to RoHS Procedure SI900000 Sec. 13 Part must conform to SI 900000 Sect. 4, Toxicity Procedure



SIZE DRAWING A3
 10108126 REV 1

SCALE: 1:10

REF. No.:

SHEET 1 of 1

METRIC