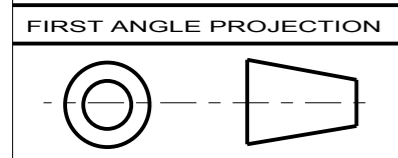
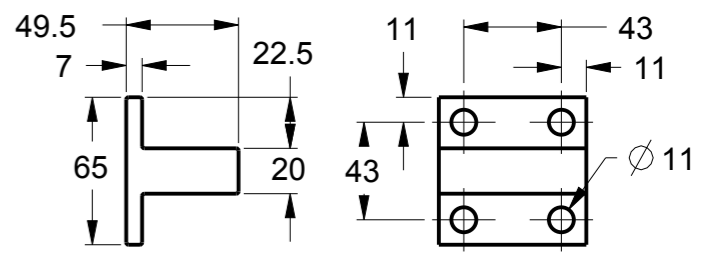
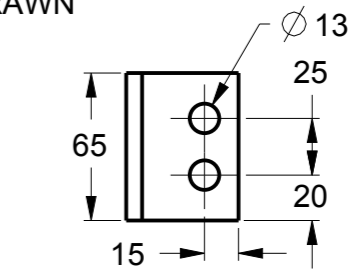
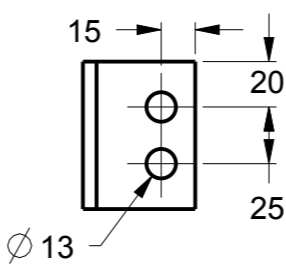
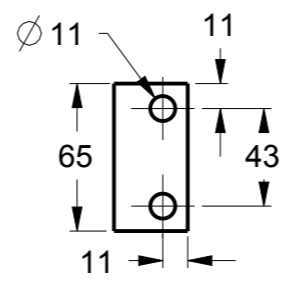
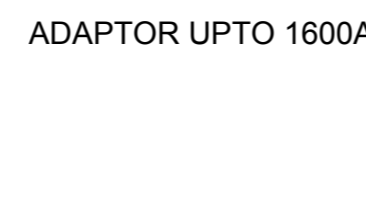
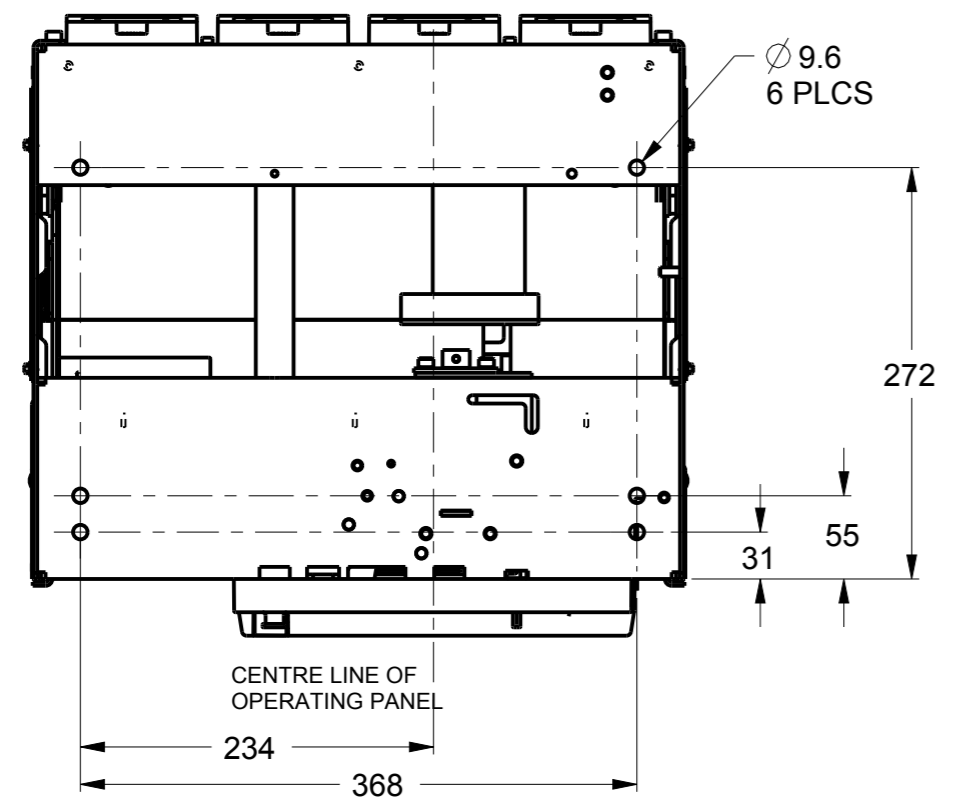
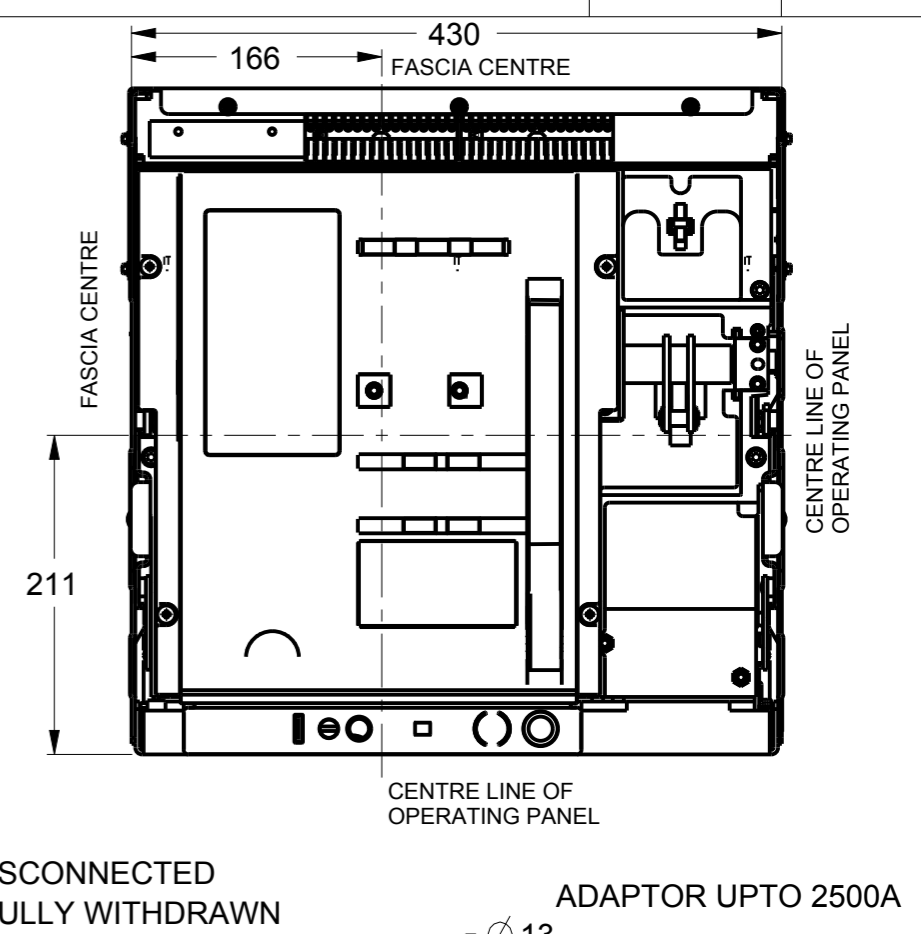
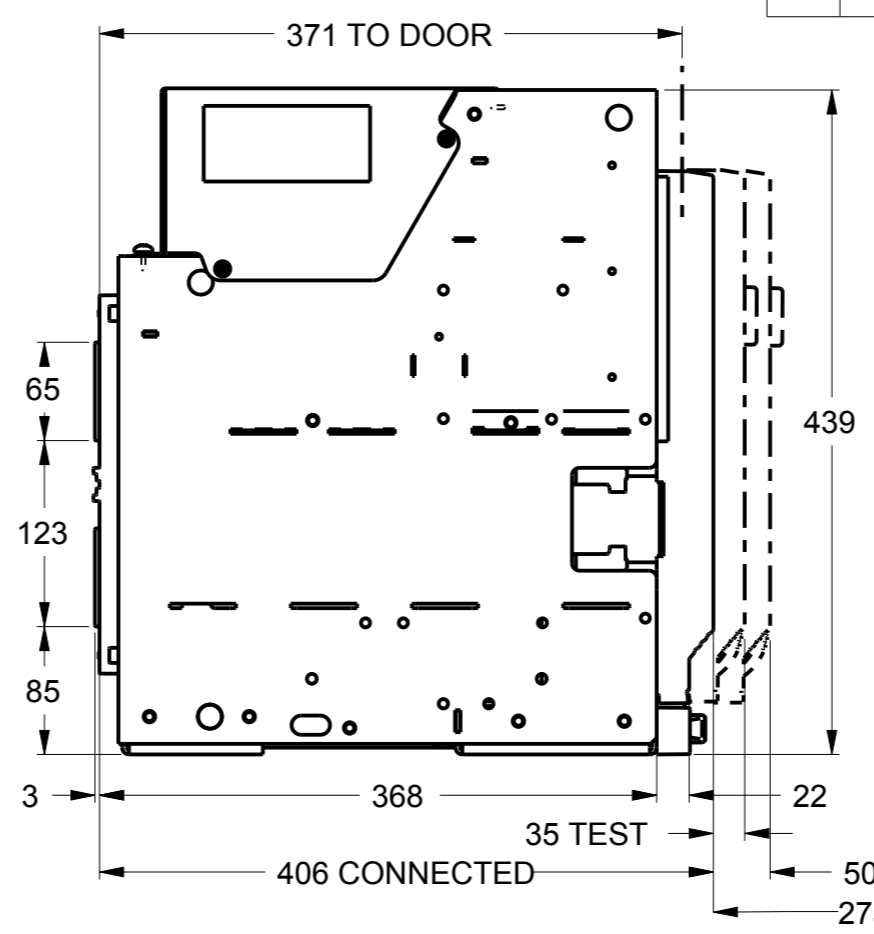
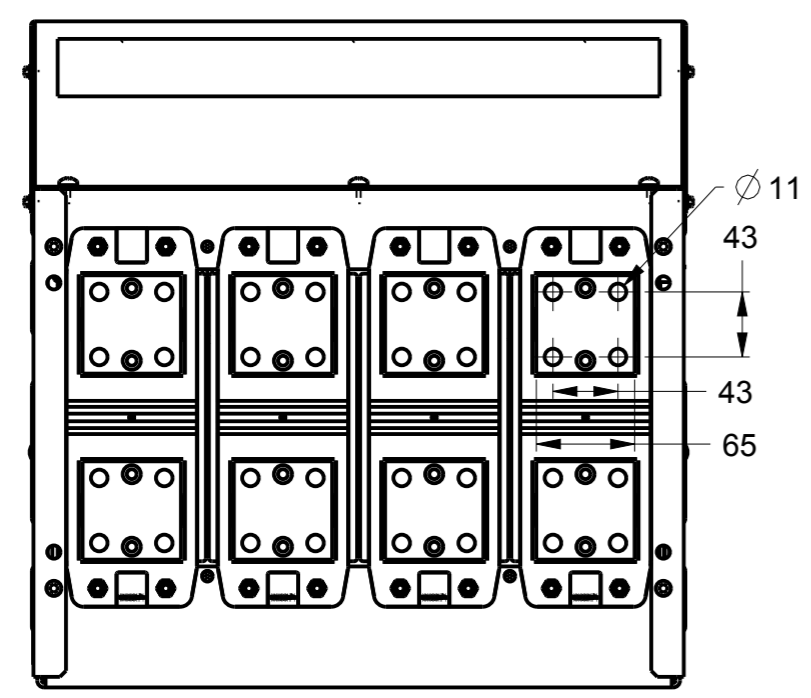


SHEET 1
REV 4
10110777
DRAWING NO.
A3

GE PROPRIETARY AND CONFIDENTIAL INFORMATION
 This document is the property of General Electric Company ("GE") and contains proprietary information of GE. This document is loaned on the express condition that neither it nor the information contained therein shall be disclosed to others without the express written consent of GE Energy, and that the information shall be used by the recipient only as approved expressly by GE Energy. This document shall be returned to GE upon its request. This document may be subject to certain restrictions under U.S. export control laws and regulations.

REVISIONS				
REV.	DESCRIPTION		DATE	APPROVED
1	R1202498	PRASAD	11/30/2012	GUPTA
2	C009606		12/30/2015	JOBY
3	C018763	RAGHAV	10/20/2016	DAS
4	C035056	VINU	10/24/2017	SANDEEP

METRIC



Article or Material Must Conform to REACH Procedure SI900000 Sec. 14
 Article or Material Must Conform to RoHS Procedure SI900000 Sec. 13

Part must conform to SI 900000 Sect. 4, Toxicity Procedure

PV1

FOR ADDITIONAL INFO REFER TO:	SIGNATURES		DATE
APPLIED PRACTICES	MODEL	PRASAD	09-05-12
DIMENSIONS ARE IN MILLIMETERS UNLESS OTHERWISE SPECIFIED IN DRAWING	DETAIL	PRASAD	09-05-12
TOLERANCE ON: 1 PL DECIMALS ± 0.3 2 PL DECIMALS ± 0.13 ANGLES ± 0.5 FRACTIONS ±	CHECKED	RIZWAN	09-05-12
FINISH	ENGRG	.	.
CRITICAL TO QUALITY CHARACTERISTIC	MFG	.	.
	QUALITY	.	.
	ISSUED	.	.
	DRAWING FILE:	10110777PV1	
	SOLID MODEL:	10110777PV1	

GE Energy

TITLE: **ENTELLIGUARD L - TYPE S**
400A - 2500A
FRAME 1, 4 POLE DRAWOUT

SIZE: A3
 SCALE: 1:5

REF. No.: .

REV 4
 SHEET 1 of 3

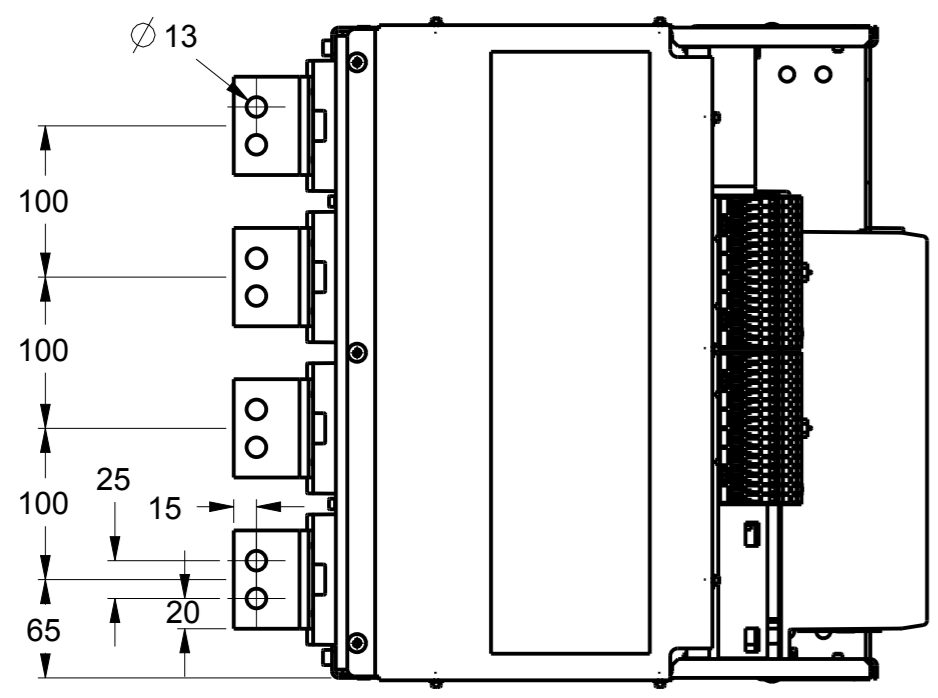
METRIC

SHEET 2
REV 4
10110777
DRAWING NO. A3

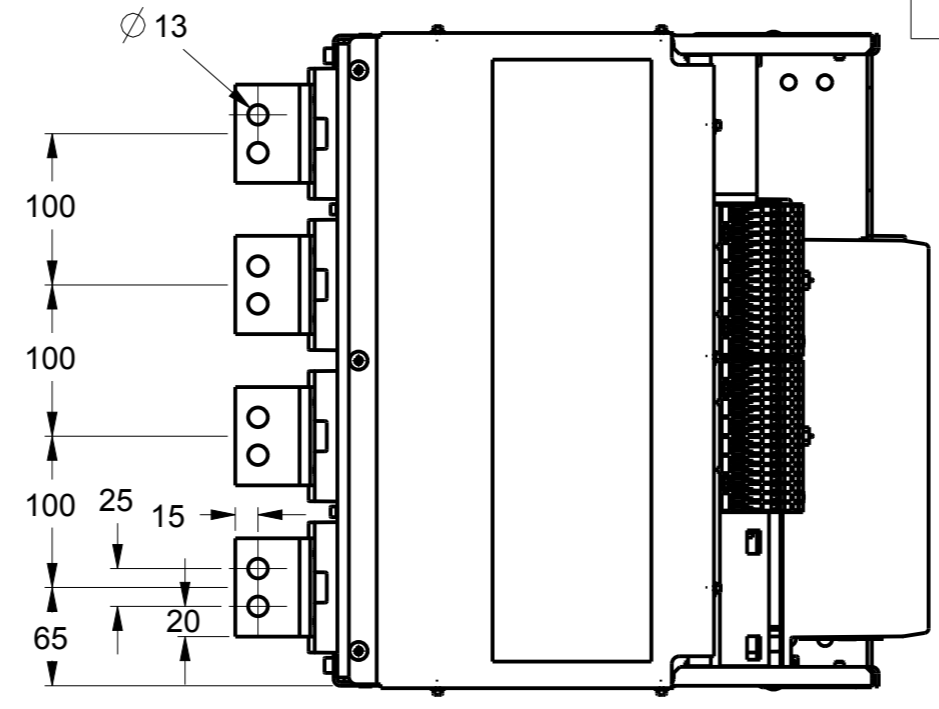
GE PROPRIETARY AND CONFIDENTIAL INFORMATION
 This document is the property of General Electric Company ("GE") and contains proprietary information of GE. This document is loaned on the express condition that neither it nor the information contained therein shall be disclosed to others without the express written consent of GE Energy, and that the information shall be used by the recipient only as approved expressly by GE Energy. This document shall be returned to GE upon its request. This document may be subject to certain restrictions under U.S. export control laws and regulations.

REVISIONS				
REV.	DESCRIPTION		DATE	APPROVED
1	R1202498	PRASAD	11/30/2012	GUPTA
2	C009606		12/30/2015	JOBY
3	C018763	RAGHAV	10/20/2016	DAS
4	C035056	VINU	10/24/2017	SANDEEP

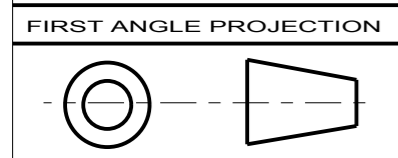
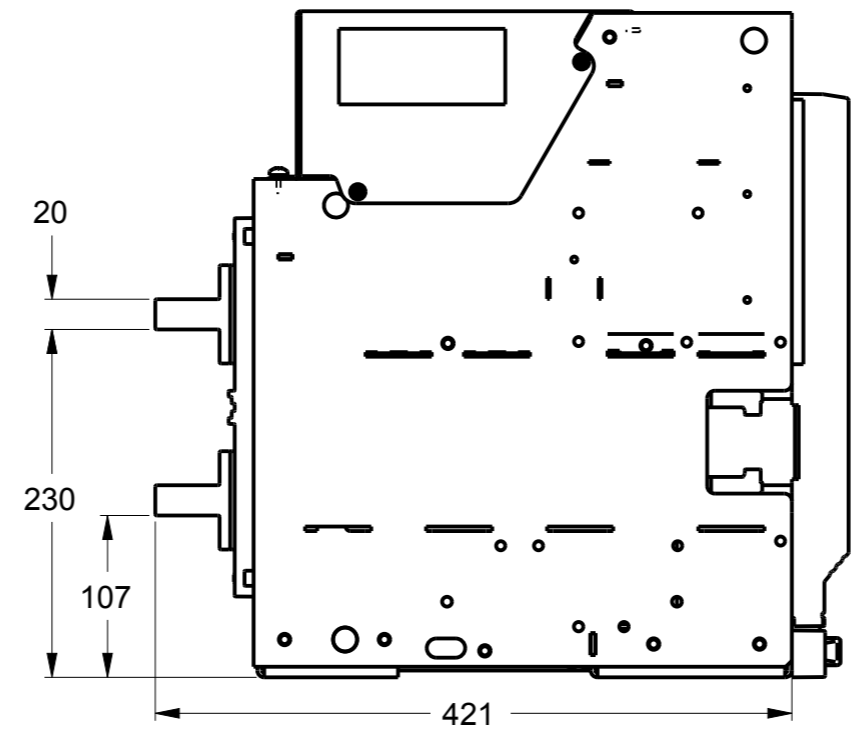
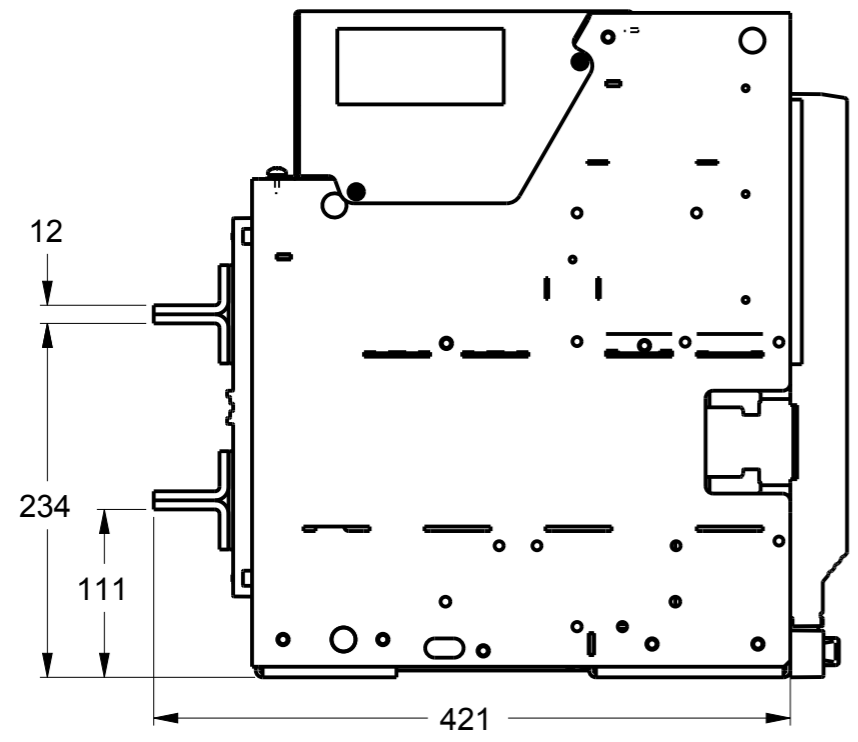
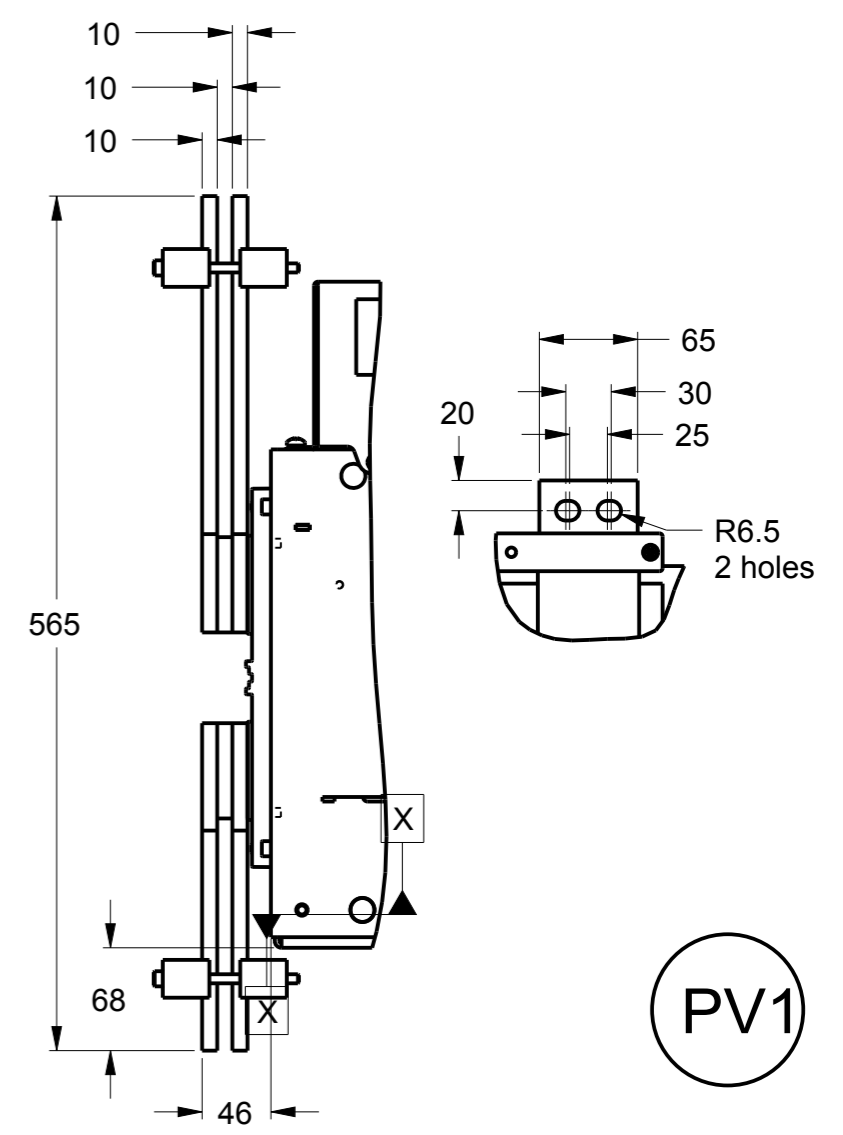
1600A HORIZONTAL



2000A HORIZONTAL



FRONT CONNECTION TYPES S & N 2500A



Article or Material Must Conform to REACH Procedure SI900000 Sec. 14
 Article or Material Must Conform to RoHS Procedure SI900000 Sec. 13

Part must conform to SI 900000 Sect. 4, Toxicity Procedure

FOR ADDITIONAL INFO REFER TO:		SIGNATURES	DATE
APPLIED PRACTICES			
DIMENSIONS ARE IN MILLIMETERS UNLESS OTHERWISE SPECIFIED IN DRAWING			
TOLERANCE ON:			
1 PL DECIMALS ± 0.3			
2 PL DECIMALS ± 0.13			
ANGLES ± 0.5			
FRACTIONS ±			
FINISH			
CRITICAL TO QUALITY CHARACTERISTIC			

GE Energy

TITLE: **ENTELLIGUARD L - TYPE S**
400A - 2500A
FRAME 1, 4 POLE DRAWOUT

SIZE: **A3** DRAWING: **10110777** REV: **4**

SCALE: 1:5 REF. No: SHEET 2 of 3

METRIC

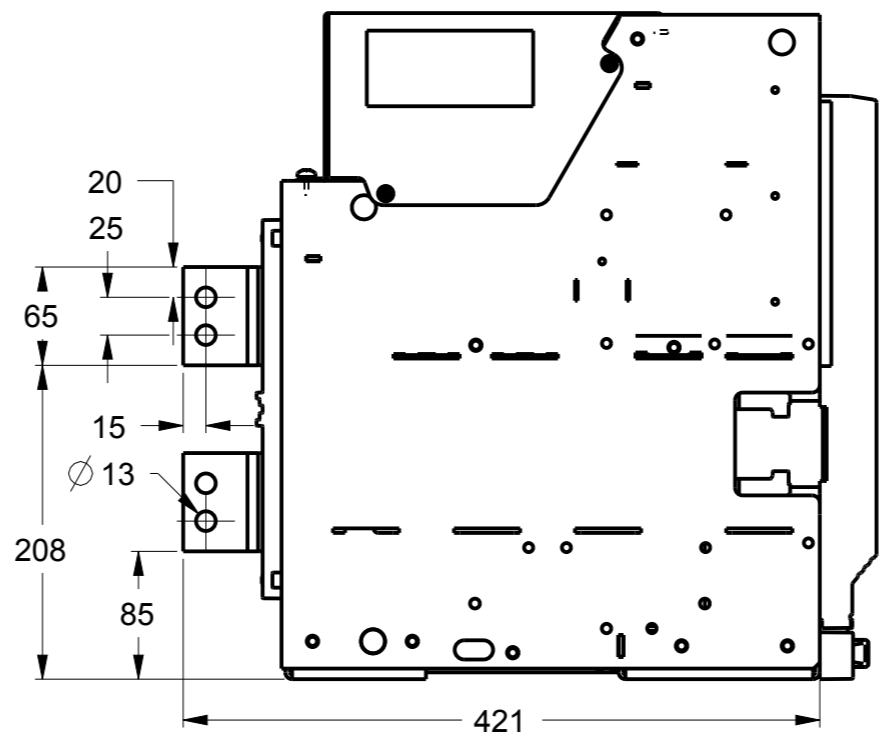
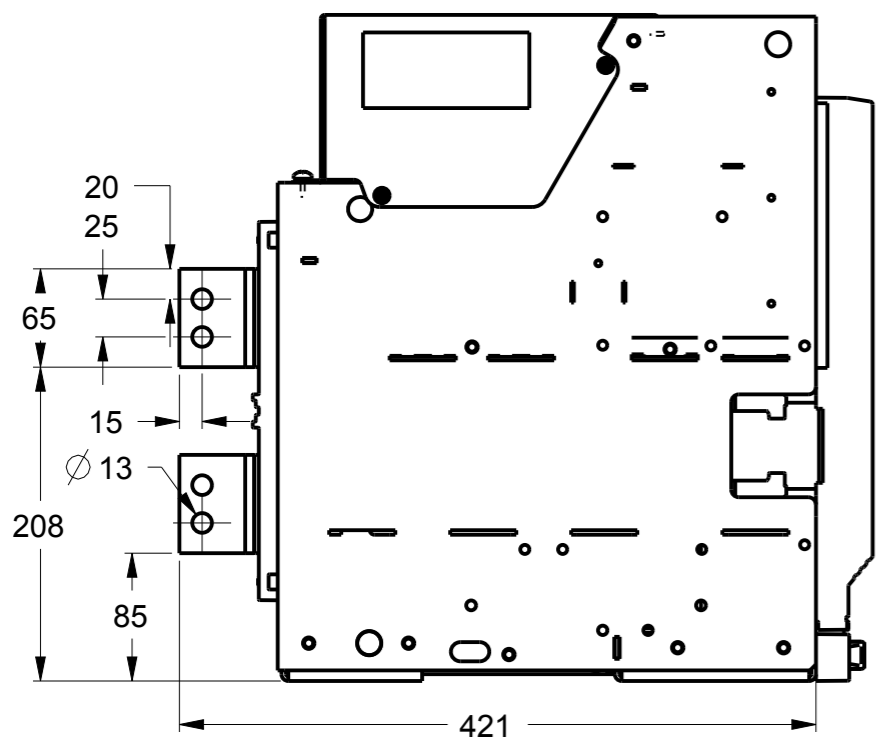
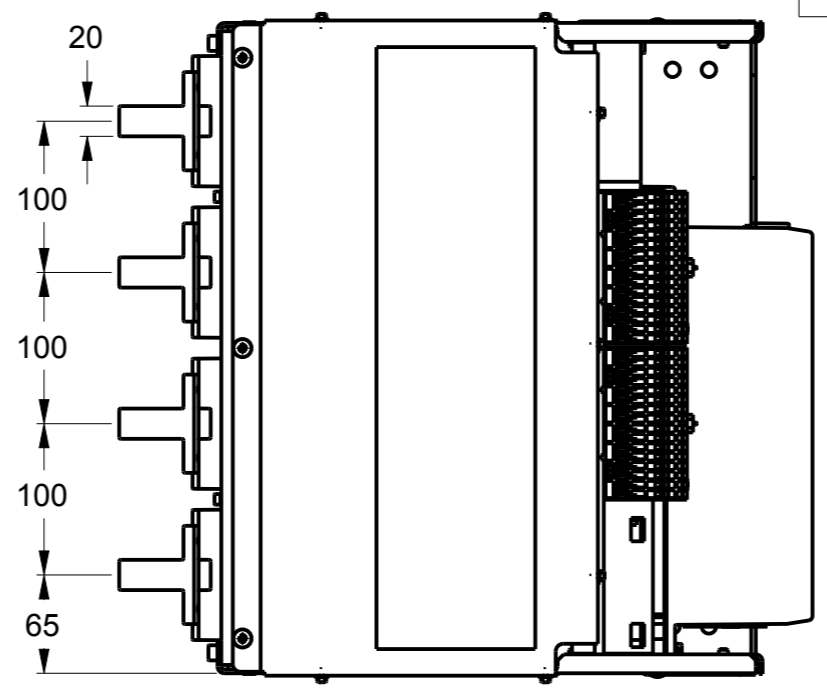
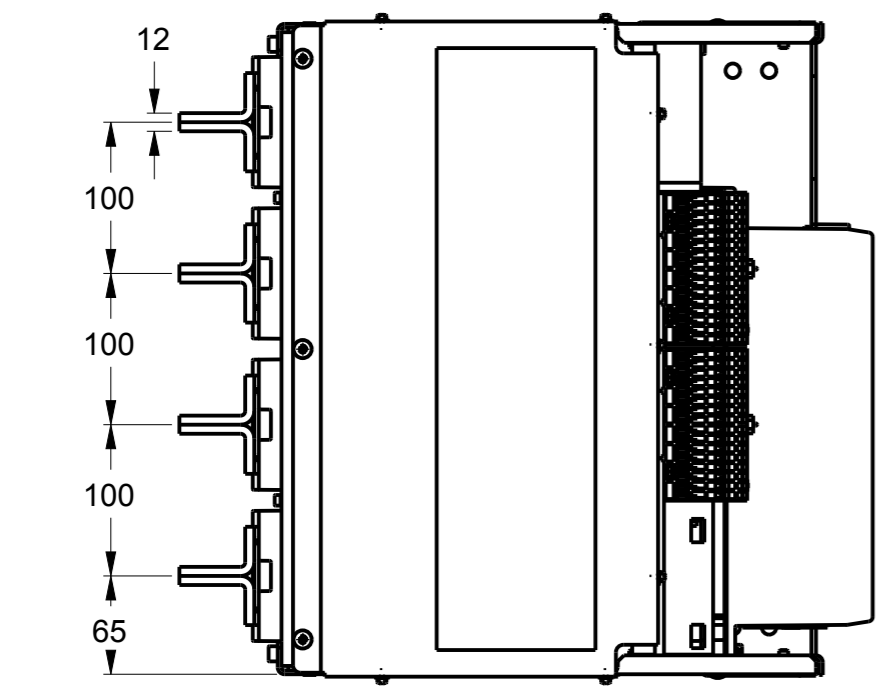
SHEET 3
REV 4
10110777
DRAWING NO.
A3

GE PROPRIETARY AND CONFIDENTIAL INFORMATION
 This document is the property of General Electric Company ("GE") and contains proprietary information of GE. This document is loaned on the express condition that neither it nor the information contained therein shall be disclosed to others without the express written consent of GE Energy, and that the information shall be used by the recipient only as approved expressly by GE Energy. This document shall be returned to GE upon its request. This document may be subject to certain restrictions under U.S. export control laws and regulations.

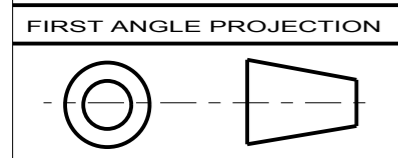
REVISIONS				
REV.	DESCRIPTION		DATE	APPROVED
1	R1202498	PRASAD	11/30/2012	GUPTA
2	C009606		12/30/2015	JOBY
3	C018763	RAGHAV	10/20/2016	DAS
4	C035056	VINU	10/24/2017	SANDEEP

1600A VERTICAL

2500A VERTICAL



PV1



Article or Material Must Conform to REACH Procedure SI900000 Sec. 14
 Article or Material Must Conform to RoHS Procedure SI900000 Sec. 13

Part must conform to SI 900000 Sect. 4, Toxicity Procedure

FOR ADDITIONAL INFO REFER TO:		SIGNATURES		DATE
APPLIED PRACTICES	MODEL	PRASAD		09-05-12
DIMENSIONS ARE IN MILLIMETERS	DETAIL	PRASAD		09-05-12
UNLESS OTHERWISE SPECIFIED IN DRAWING	CHECKED	RIZWAN		09-05-12
TOLERANCE ON:	ENGRG			
1 PL DECIMALS ± 0.3	MFG			
2 PL DECIMALS ± 0.13	QUALITY			
ANGLES ± 0.5	ISSUED			
FRACTIONS ±	DRAWING FILE:	10110777PV1		
FINISH	SOLID MODEL:	10110777PV1		
CRITICAL TO QUALITY CHARACTERISTIC				

GE Energy

TITLE: **ENTELLIGUARD L - TYPE S**
400A - 2500A
FRAME 1 , 4 POLE DRAWOUT

SIZE: **A3** DRAWING: **10110777** REV: **4**

SCALE: 1:5 REF. No: . SHEET 3 of 3

METRIC