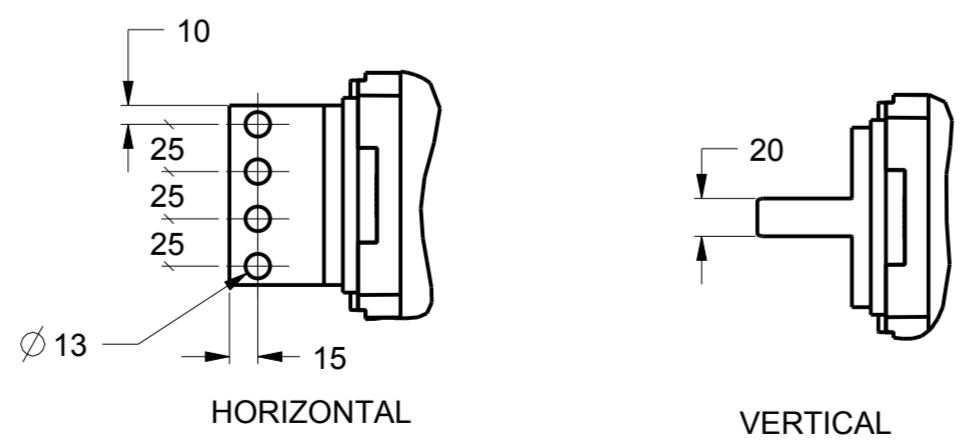
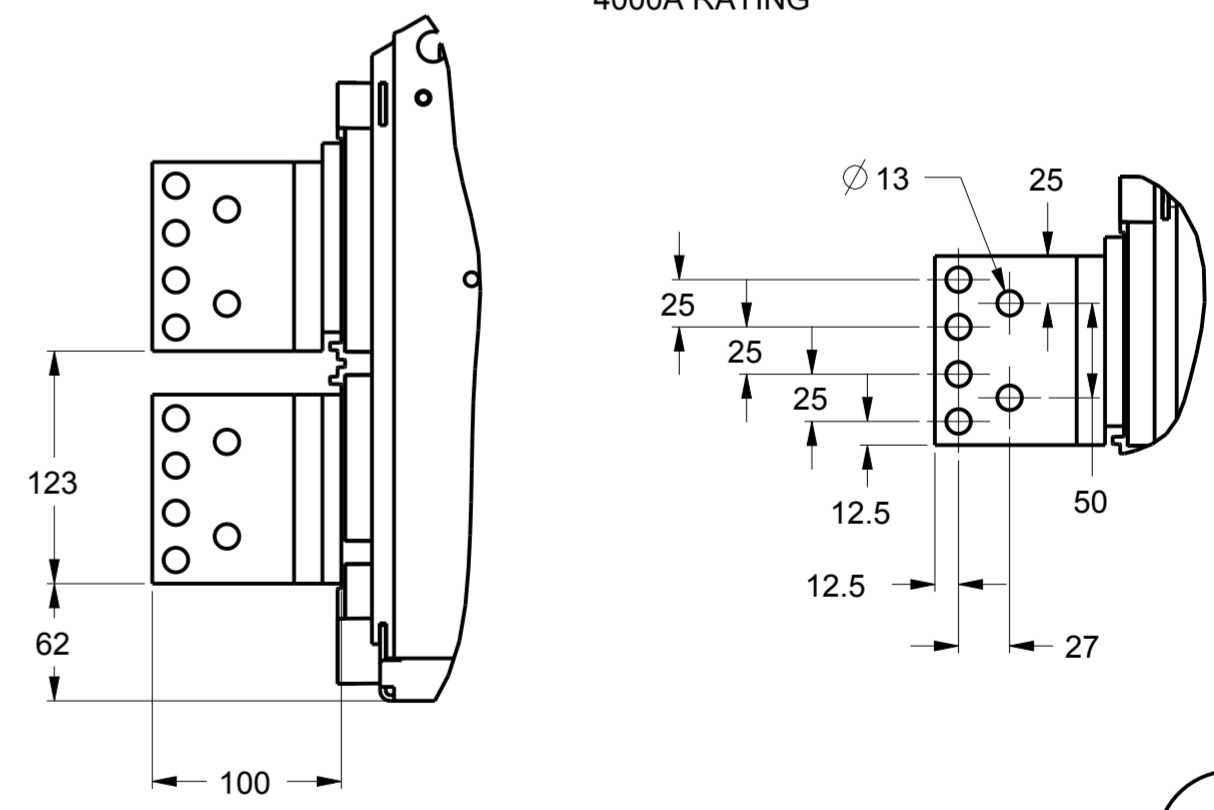
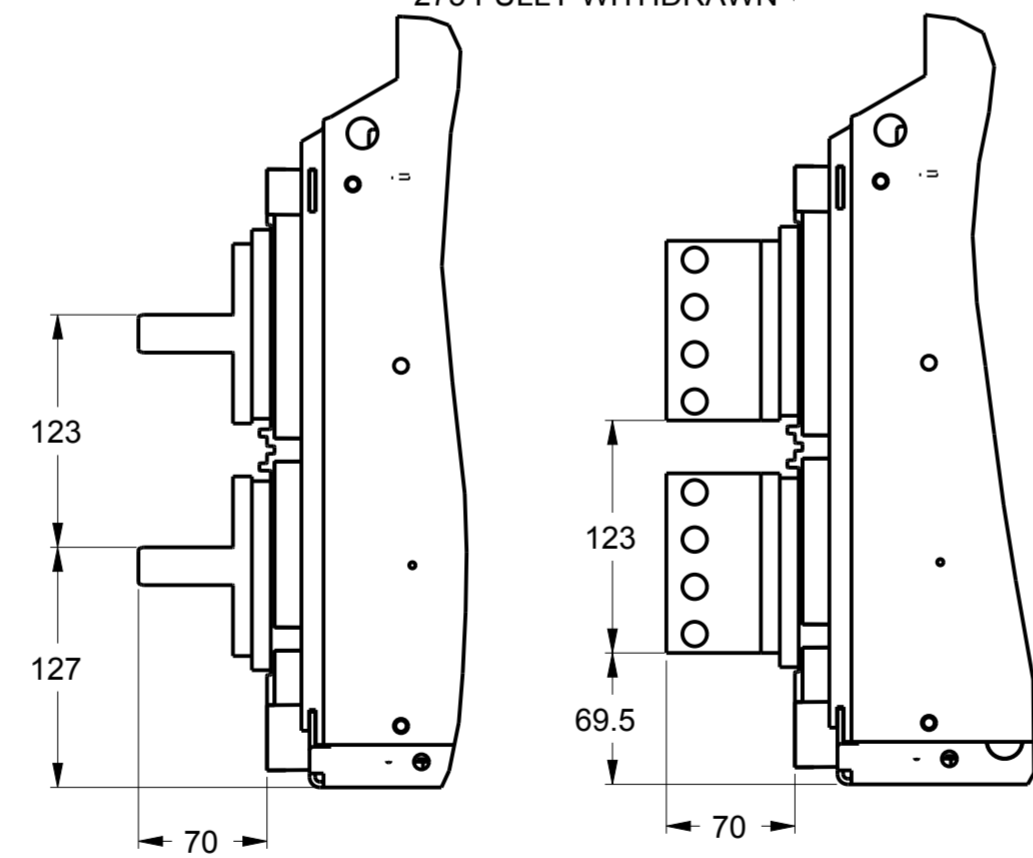
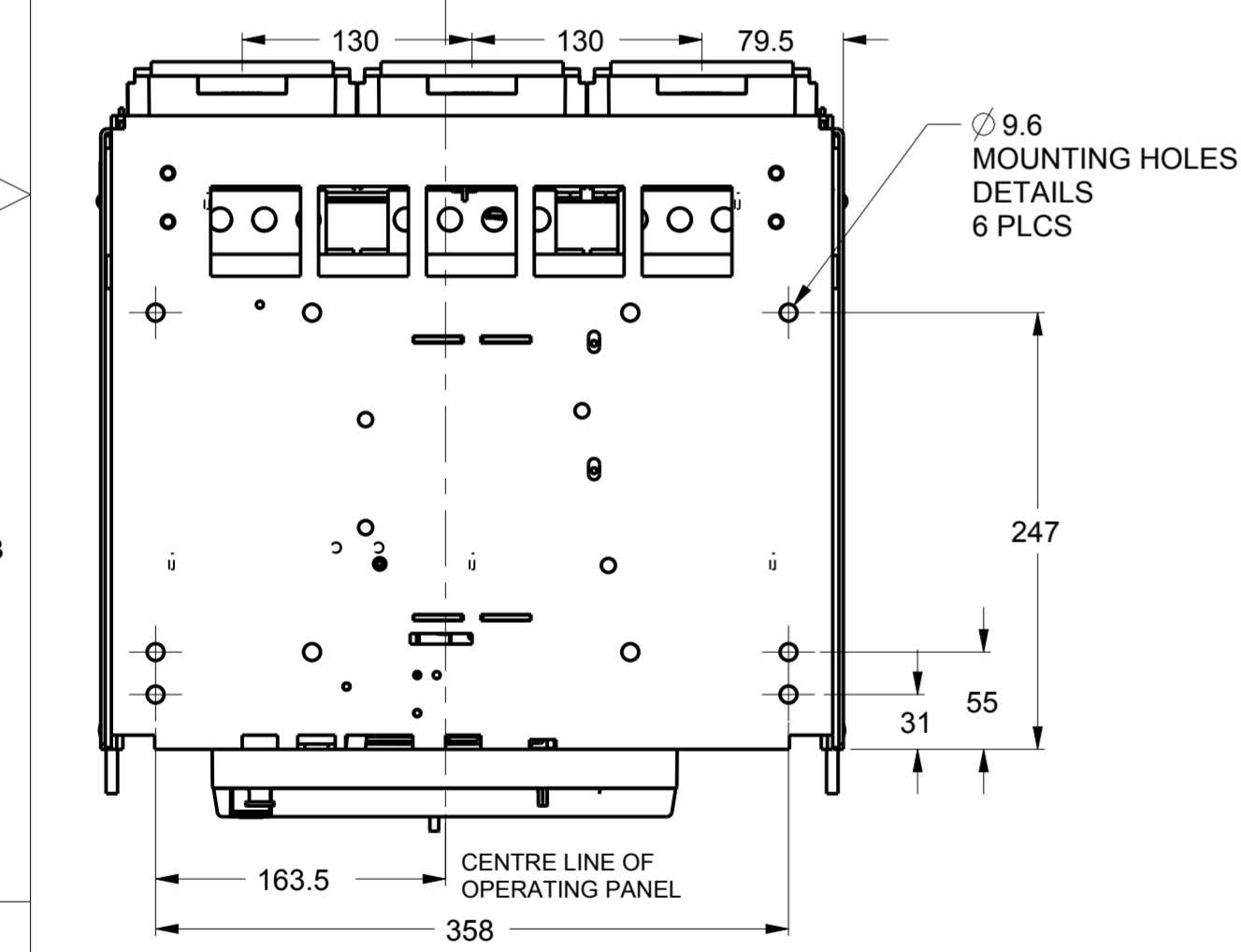
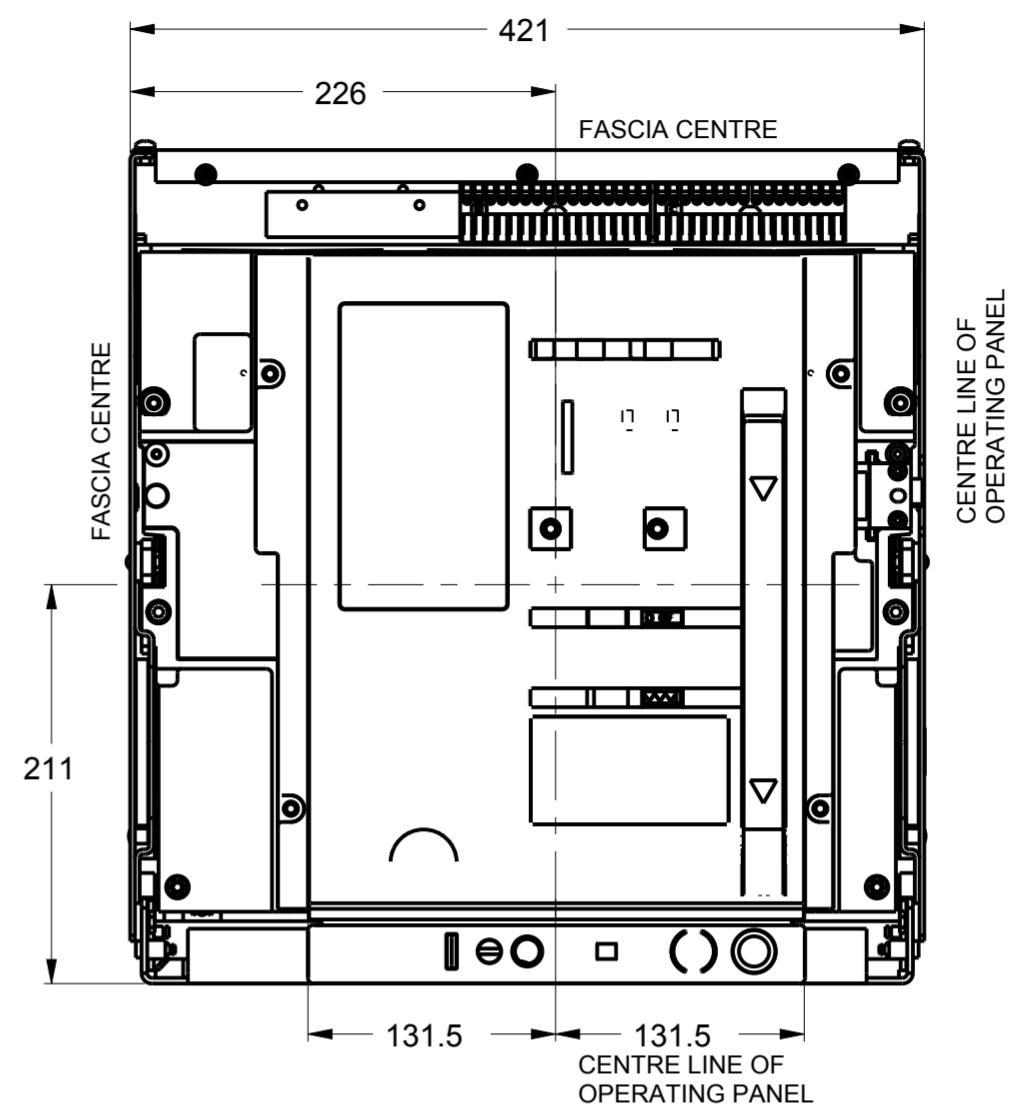
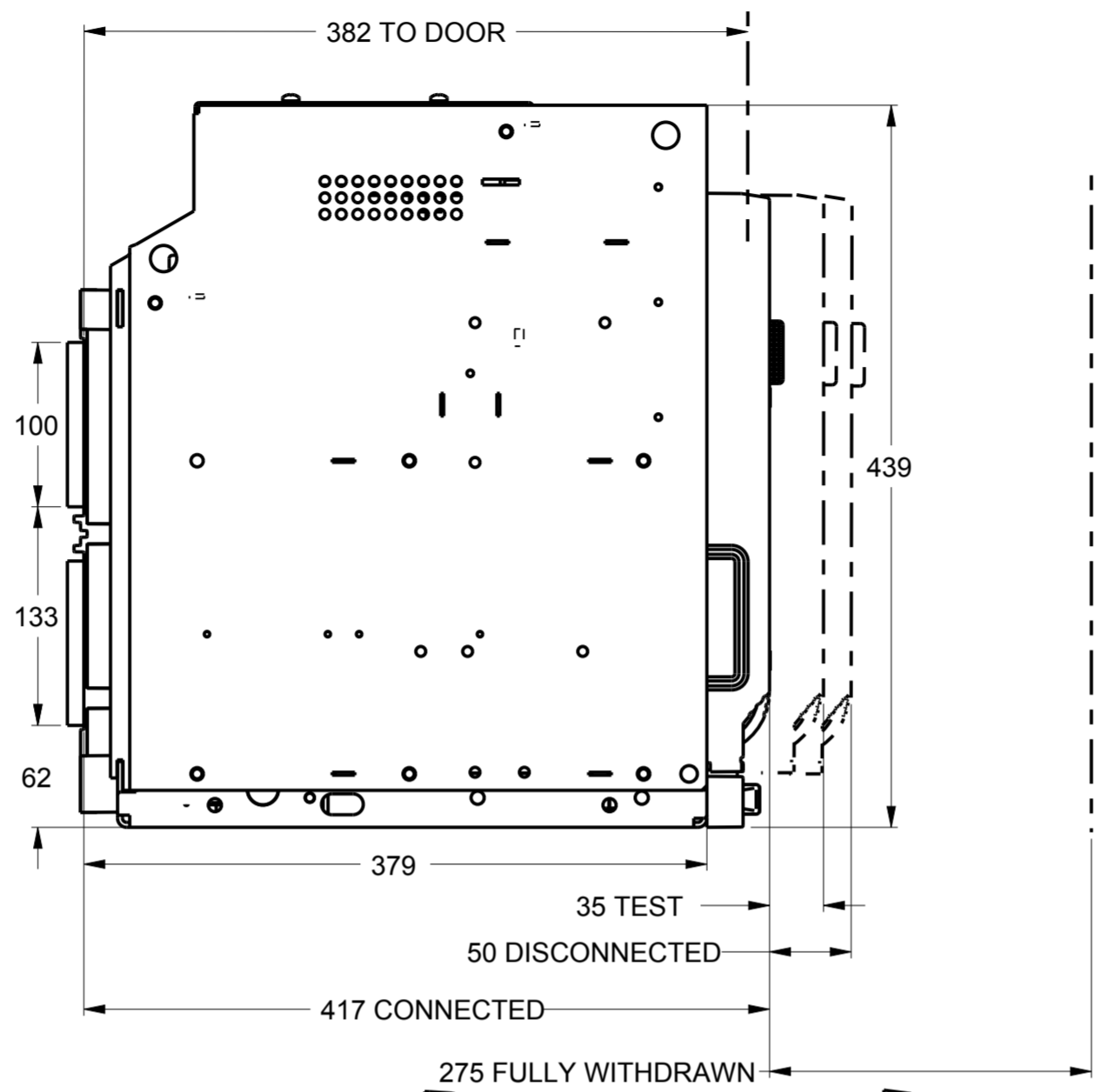
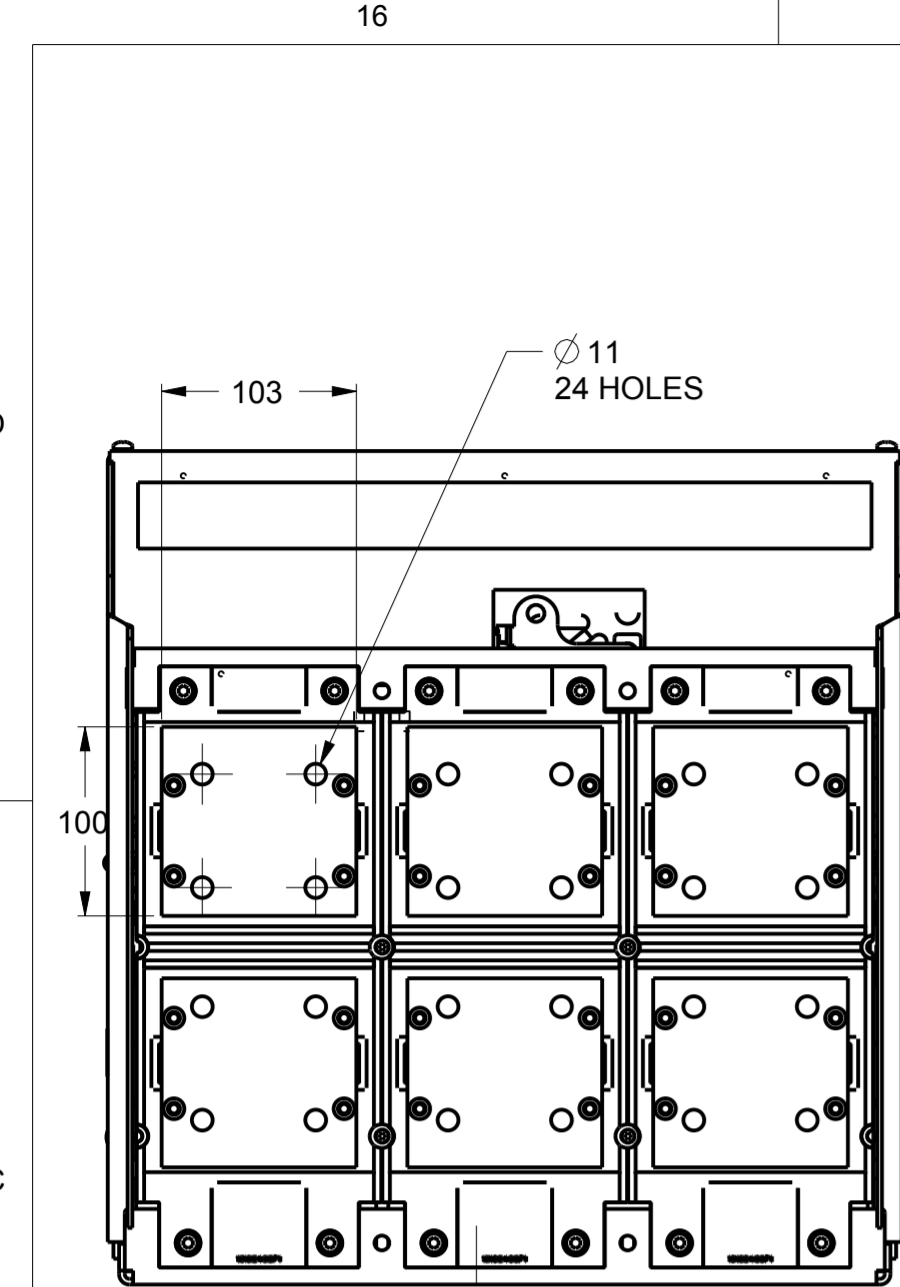


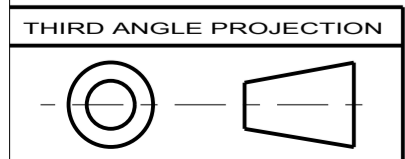
GE PROPRIETARY AND CONFIDENTIAL INFORMATION
 This document is the property of General Electric Company ("GE") and contains proprietary information of GE. This document is loaned on the express condition that neither it nor the information contained therein shall be disclosed to others without the express written consent of GE Energy, and that the information shall be used by the recipient only as approved expressly by GE Energy. This document shall be returned to GE upon its request. This document may be subject to certain restrictions under U.S. export control laws and regulations.

REV.	DESCRIPTION	DATE	APPROVED
1	R1115162	11-12-12	GUPTA
2	C003310	03-06-15	VS
3	C035056	10-24-17	SANDEEP



NOTE:
 COPPER WORK MUST BE SUPPORTED WITHIN 200mm OF BREAKER CONNECTIONS - BUS BAR OR CABLES
 ALL BUS BAR CONNECTIONS TO BE TIGHTENED TO 50Nm TORQUE

PV1



Part must conform to SI 900000 Sect. 4, Toxicity Procedure

FOR ADDITIONAL INFO REFER TO:	SIGNATURES	DATE
APPLIED PRACTICES	MODEL PRASAD	11-12-12
DIMENSIONS ARE IN MILLIMETERS	DETAIL PRASAD	11-12-12
UNLESS OTHERWISE SPECIFIED IN DRAWING	CHECKED GUPTA	11-12-12
	ENGRG	
TOLERANCE ON:	MFG	
1 PL DECIMALS ± 0.3	QUALITY	
2 PL DECIMALS ± 0.13	ISSUED	
ANGLES ± 0.5		
FRACTIONS ±		
FINISH	DRAWING FILE: 10110970PV1	
CRITICAL TO QUALITY CHARACTERISTIC	SOLID MODEL: 10110970PV1	

GE Energy

TITLE
**FR2 , 3POLE DRAWOUT
 UNIVERSAL TERMINALS UPTO 3200A
 ENTELLIGUARD L**

SIZE	DRAWING	REV
A2	10110970	3

SCALE: 1:4 REF. No. SHEET 1 OF 1

METRIC

A

METRIC