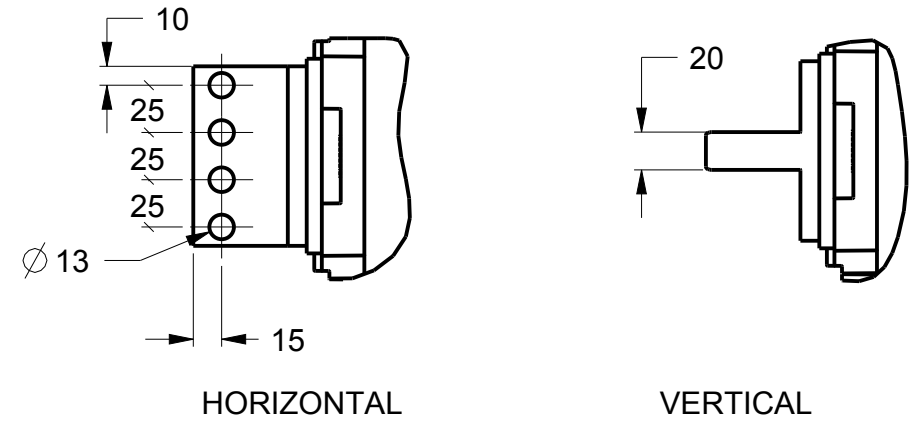
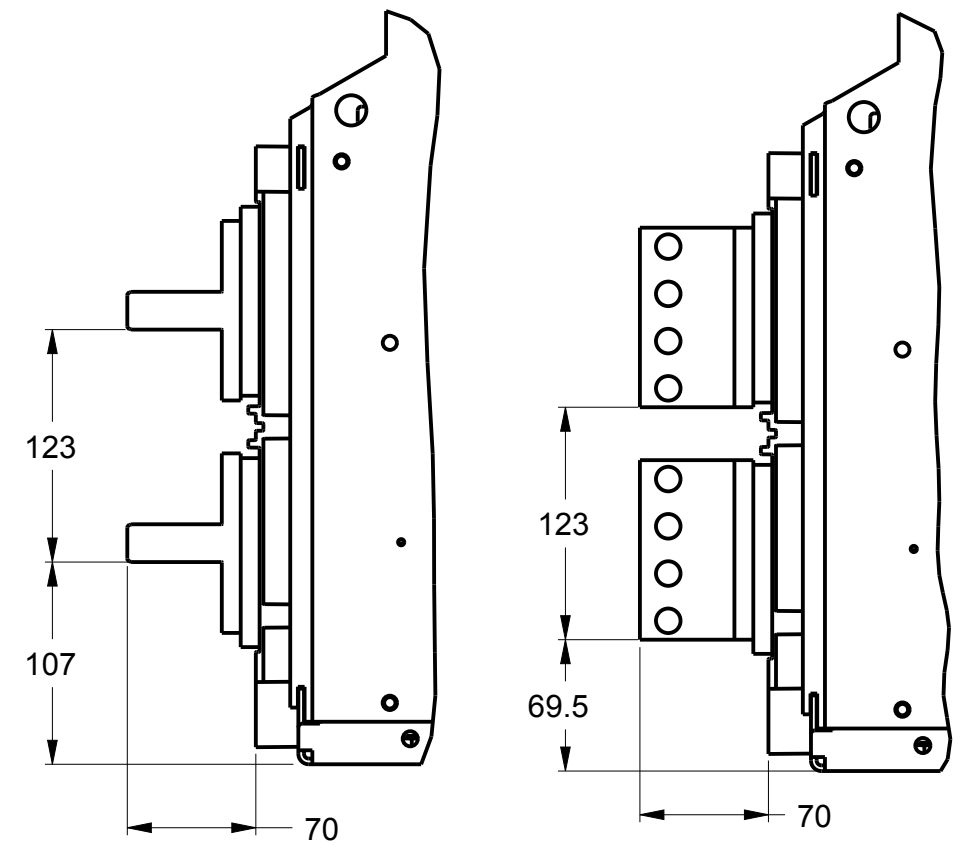
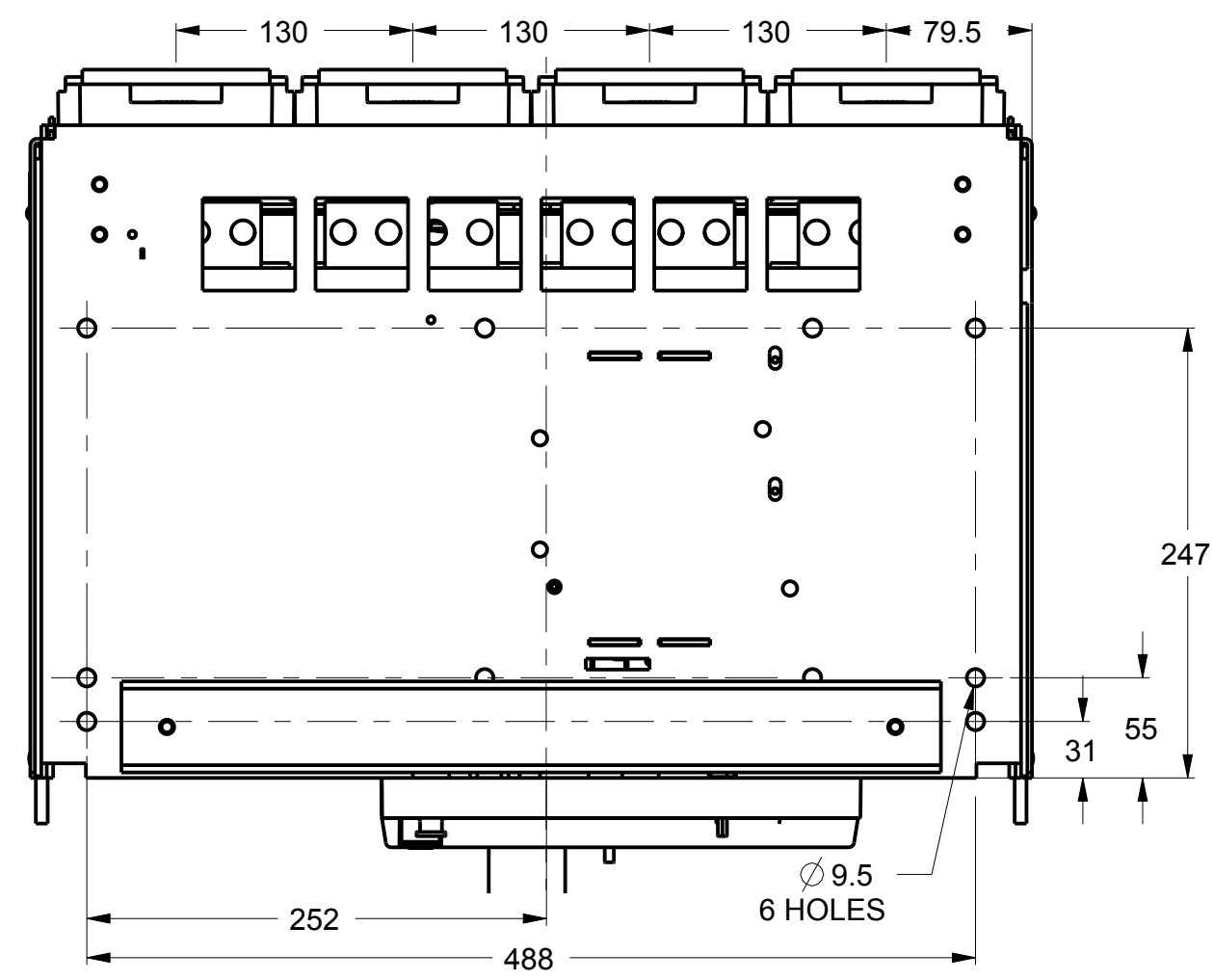
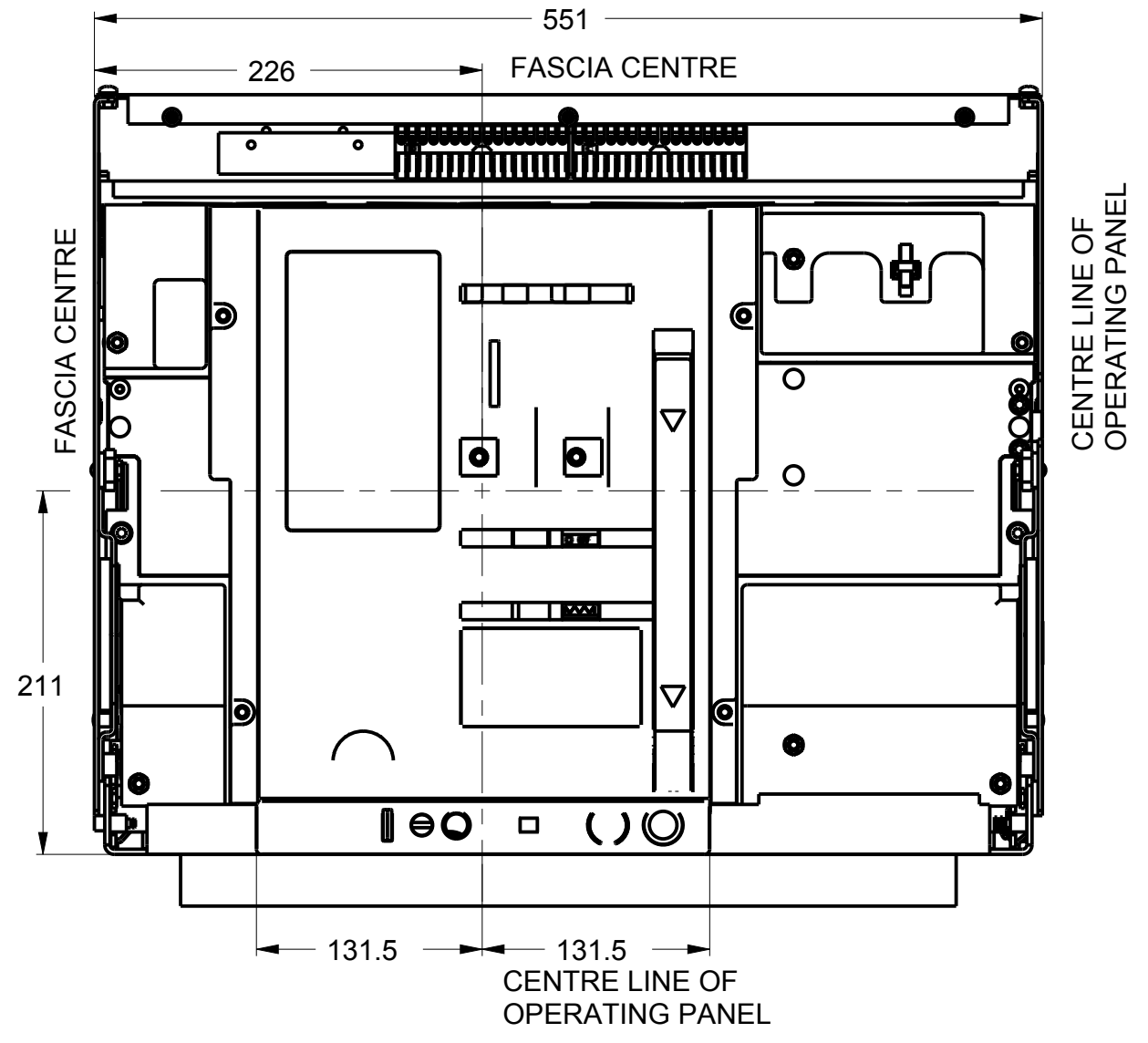
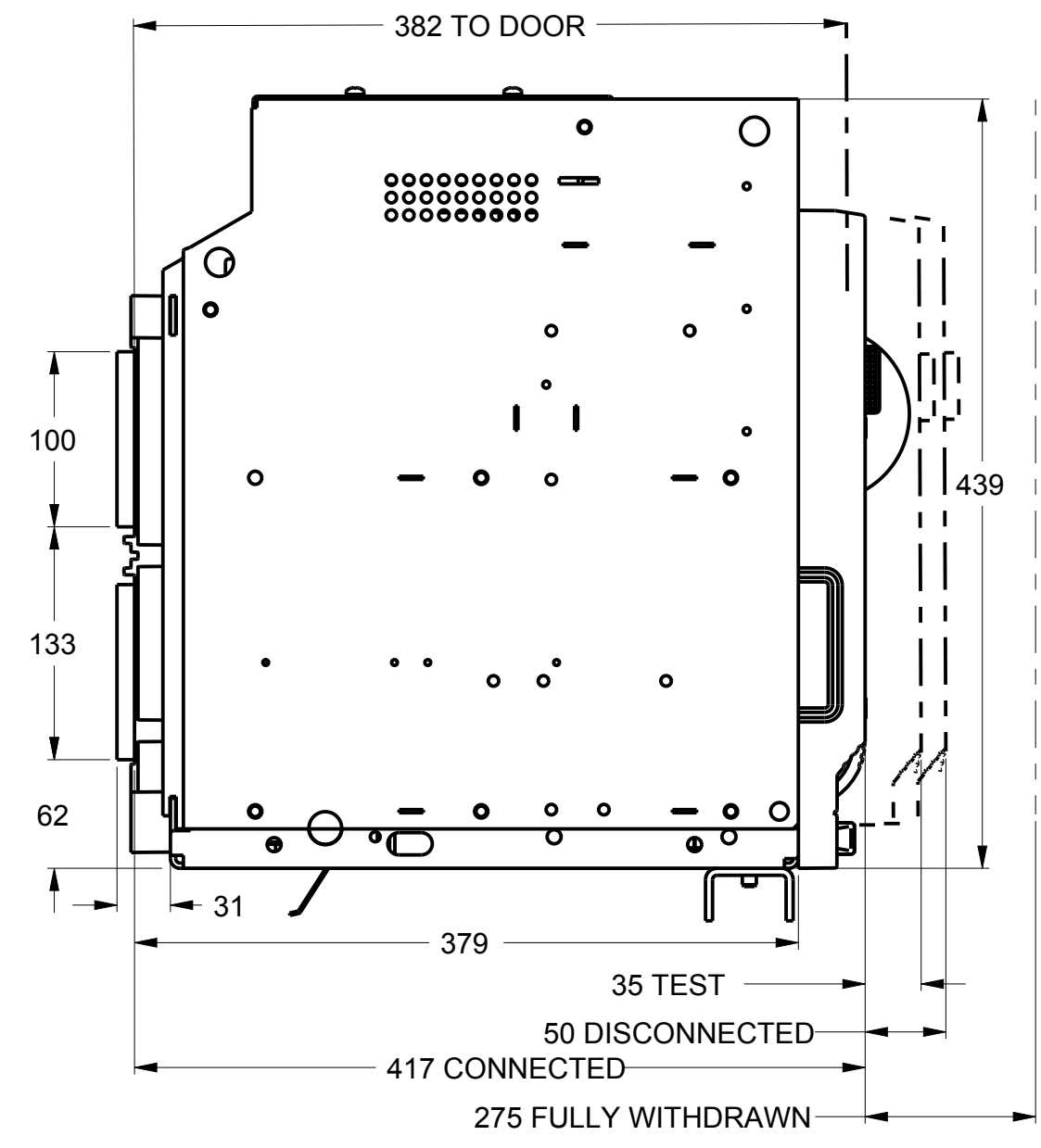
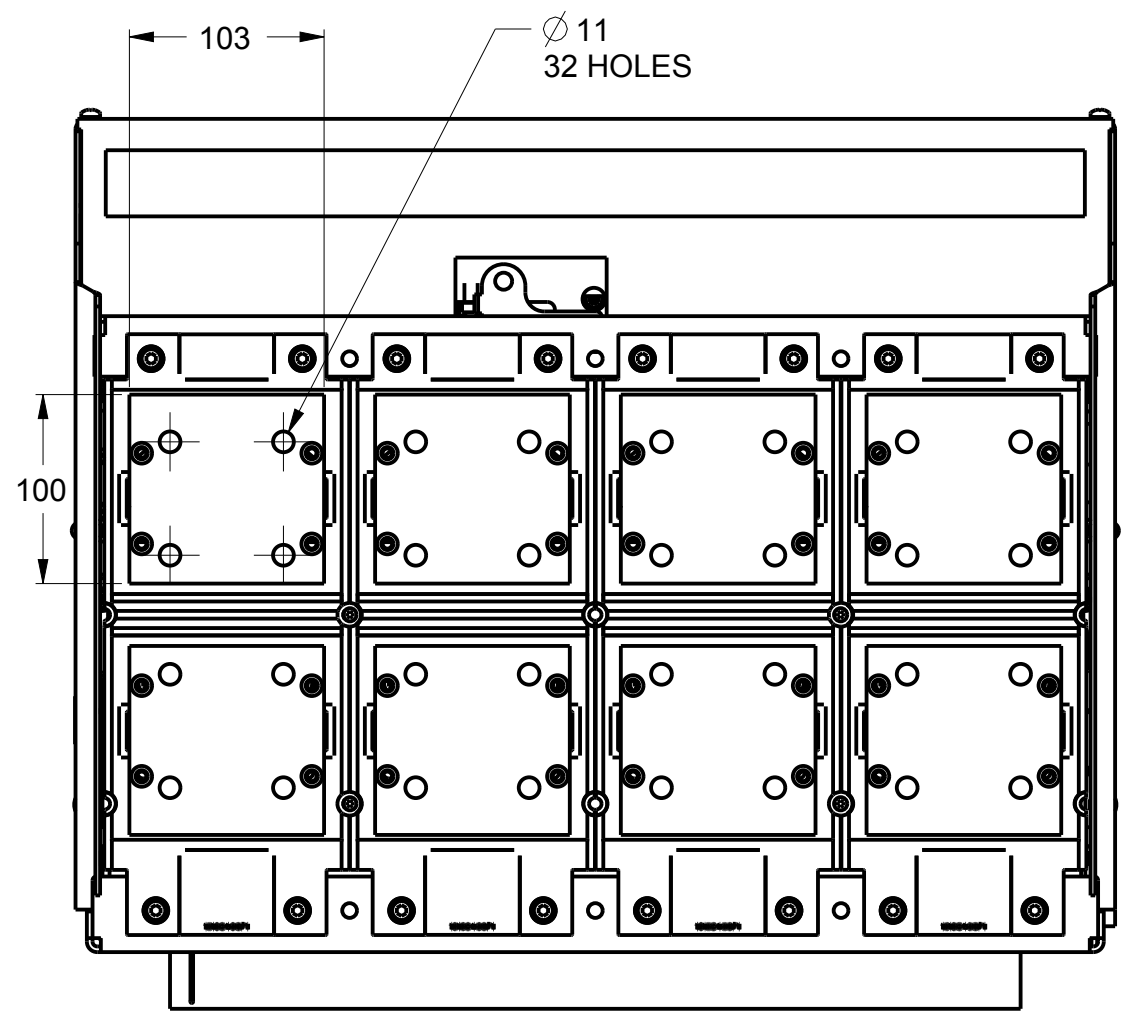


**GE PROPRIETARY AND CONFIDENTIAL INFORMATION**  
 This document is the property of General Electric Company ("GE") and contains proprietary information of GE. This document is loaned on the express condition that neither it nor the information contained therein shall be disclosed to others without the express written consent of GE Energy, and that the information shall be used by the recipient only as approved expressly by GE Energy. This document shall be returned to GE upon its request. This document may be subject to certain restrictions under U.S. export control laws and regulations.

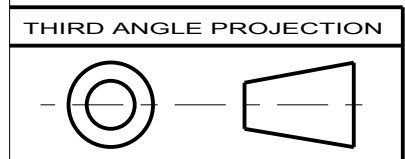
REVISIONS				
REV.	DESCRIPTION	DATE	APPROVED	
1	R1115162	11-12-12	PRASAD	GUPTA
2	C003310	03-06-15		VS
3	C035056	10-24-17	VINU	SANDEEP



FOR TERMINATION DETAILS  
 REFER 3POLE DRAWING 10110970PV1

**NOTE:**  
 COPPER WORK MUST BE SUPPORTED WITHIN 200mm  
 OF BREAKER CONNECTIONS - BUS BAR OR CABLES  
 ALL BUS BAR CONNECTIONS TO BE TIGHTENED TO 50Nm TORQUE

PV1



Article or Material Must Conform to REACH Procedure SI900000 Sec. 14  
 Article or Material Must Conform to RoHS Procedure SI900000 Sec. 13  
 Part must conform to SI 900000 Sect. 4, Toxicity Procedure

FOR ADDITIONAL INFO REFER TO:	SIGNATURES	DATE
APPLIED PRACTICES	MODEL PRASAD	11-12-12
DIMENSIONS ARE IN MILLIMETERS	DETAIL PRASAD	11-12-12
UNLESS OTHERWISE SPECIFIED IN DRAWING	CHECKED GUPTA	11-12-12
	ENGRG	
TOLERANCE ON:	MFG	
1 PL DECIMALS ± 0.3	QUALITY	
2 PL DECIMALS ± 0.13	ISSUED	
ANGLES ± 0.5		
FRACTIONS ±		
FINISH		
CRITICAL TO QUALITY CHARACTERISTIC	DRAWING FILE: 10110971PV1	
	SOLID MODEL: 10110971PV1	

**GE Energy**

TITLE  
**FR2 , 4POLE DRAWOUT  
 UNIVERSAL TERMINALS UPTO 3200A  
 ENTELLIGUARD L**

SIZE   DRAWING	REV
<b>A2</b>	10110971   3
SCALE: 1:4	REF. No.   SHEET 1 OF 1