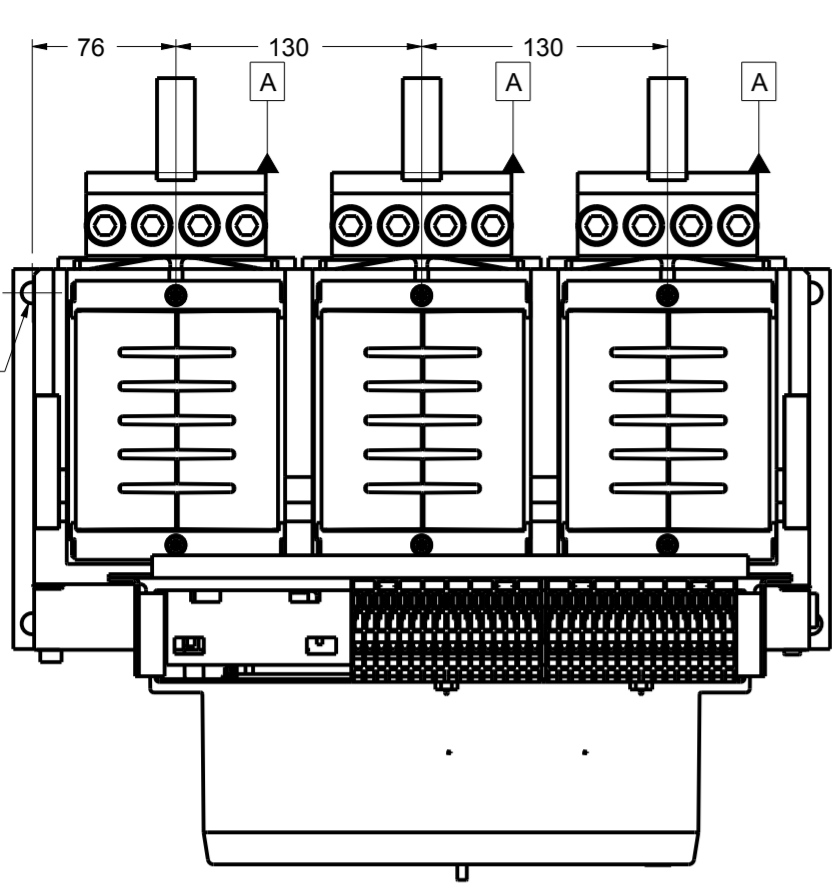
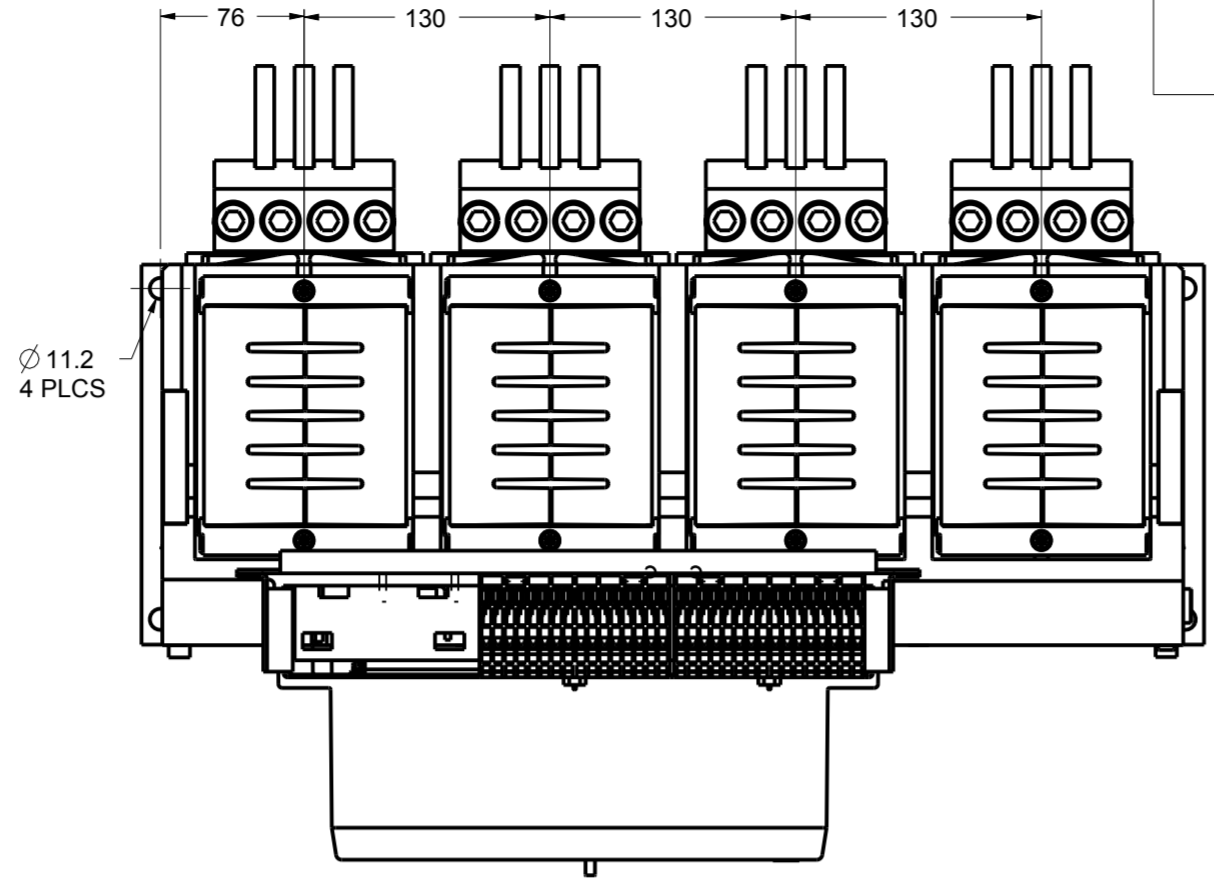


GE PROPRIETARY AND CONFIDENTIAL INFORMATION
 This document is the property of General Electric Company ("GE") and contains proprietary information of GE. This document is loaned on the express condition that neither it nor the information contained herein shall be disclosed to others without the express written consent of GE Energy, and that the information shall be used by the recipient only as approved expressly by GE Energy. This document shall be returned to GE upon its request. This document may be subject to certain restrictions under U.S. export control laws and regulations.

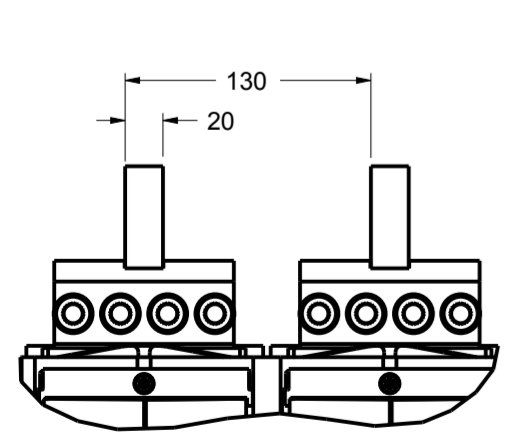
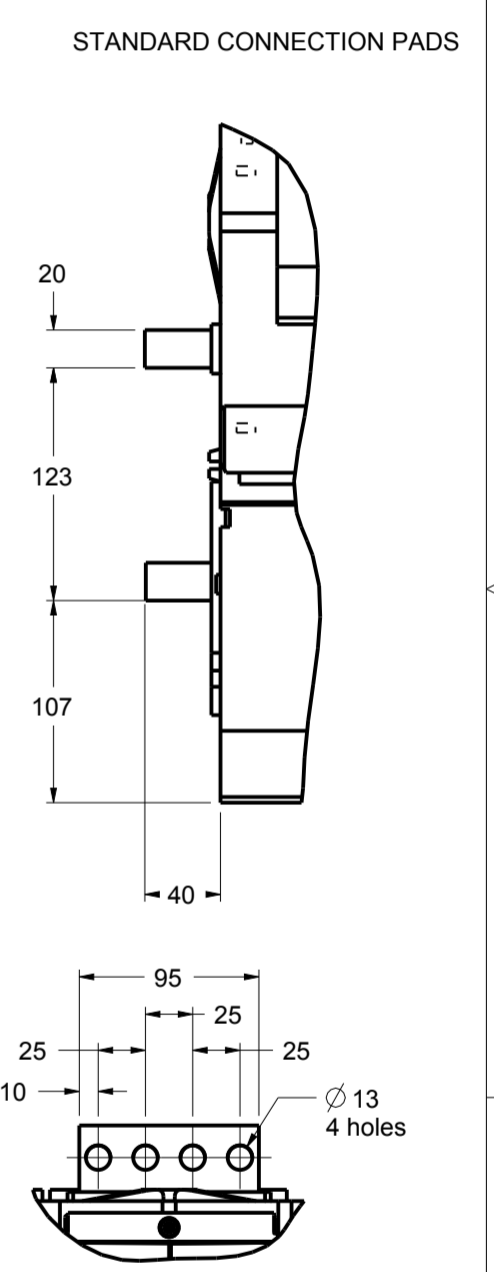
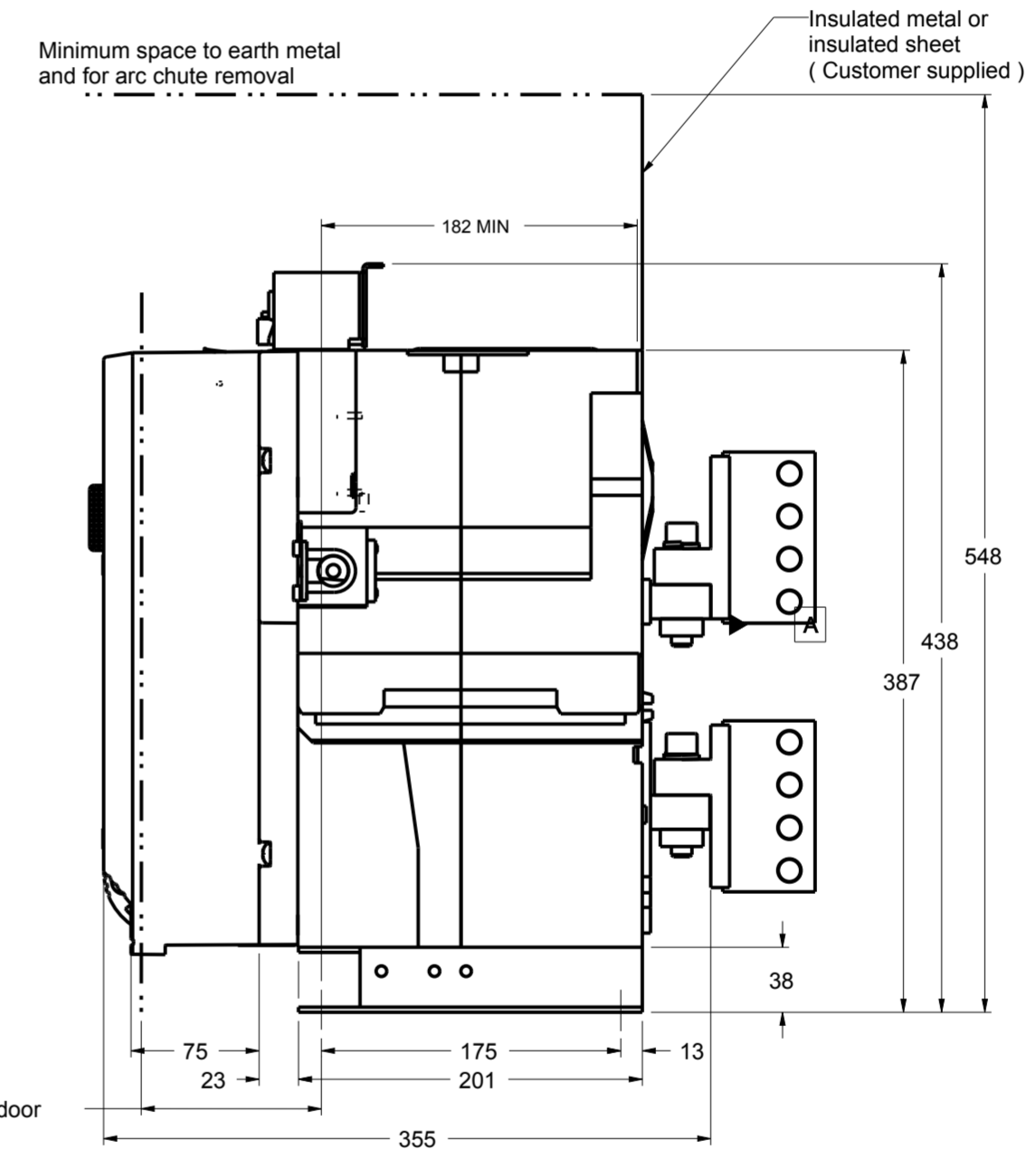
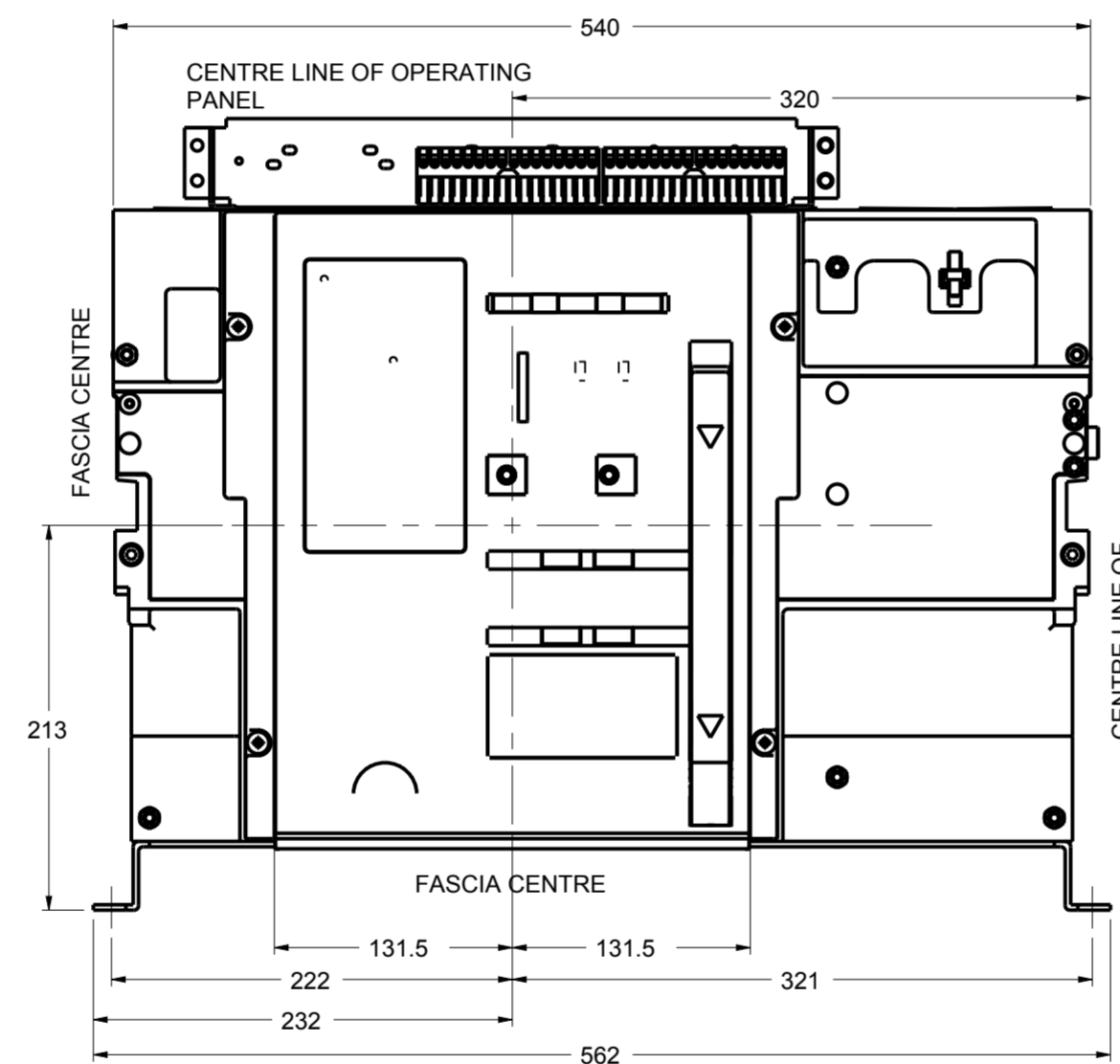
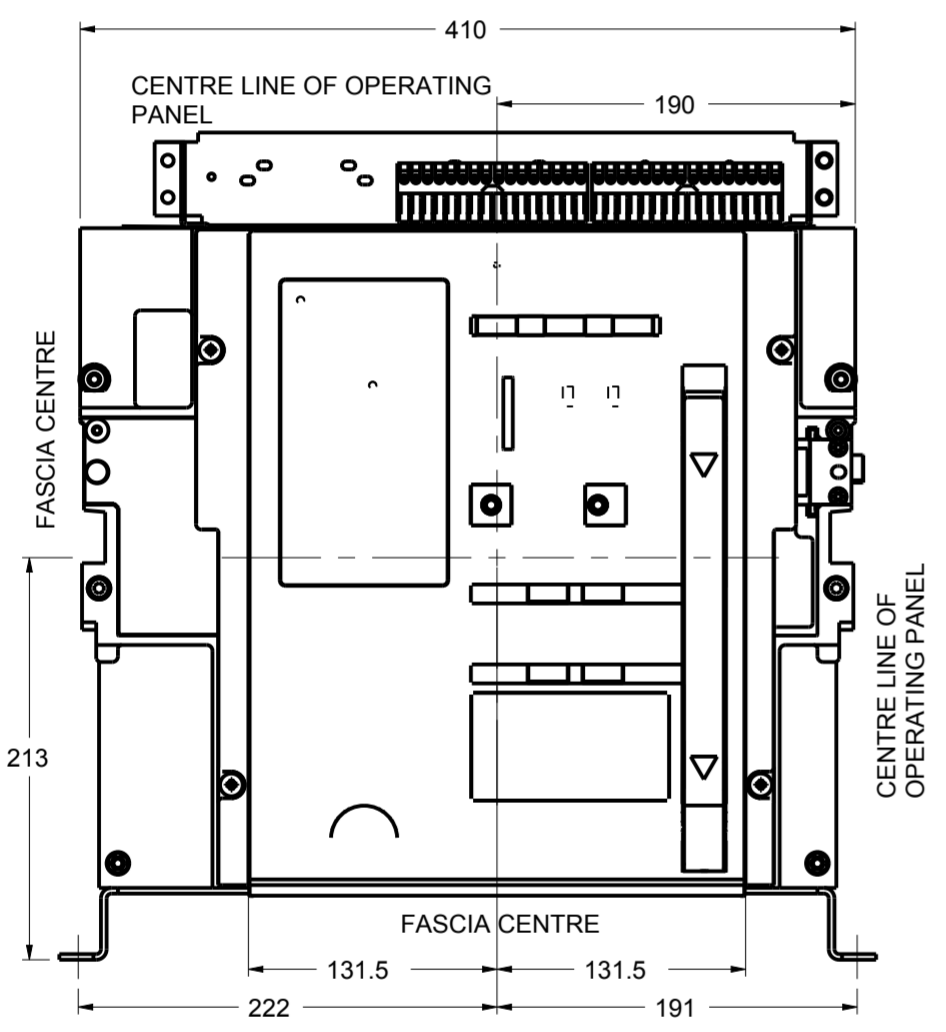
REVISIONS				
REV.	DESCRIPTION	DATE	APPROVED	
1	R1115162	11-28-12	PRASAD	GUPTA
2	C003310	03-06-15		VS
3	C035056	01-02-18	VINU	SANDEEP



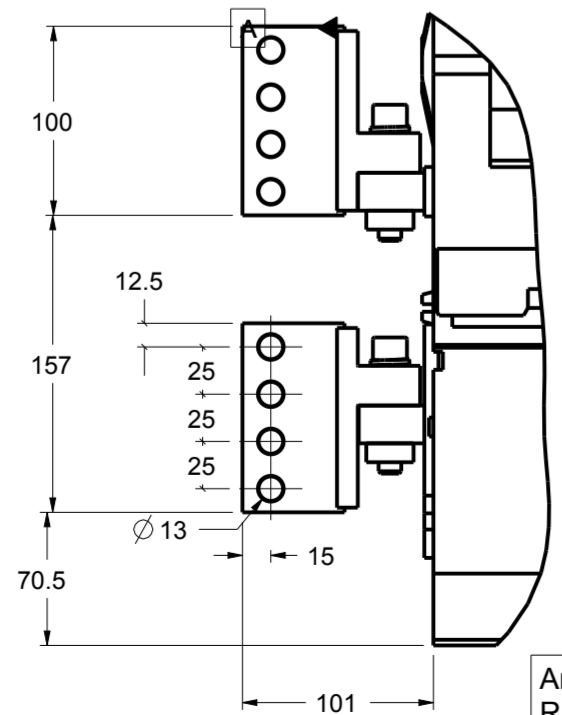
3-POLE



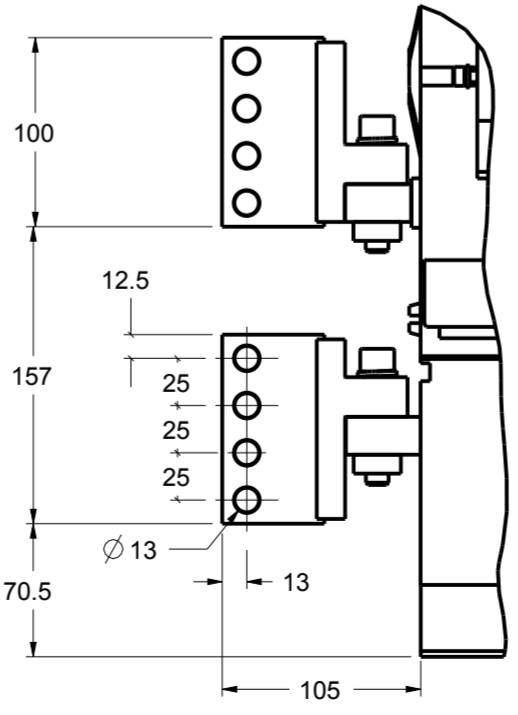
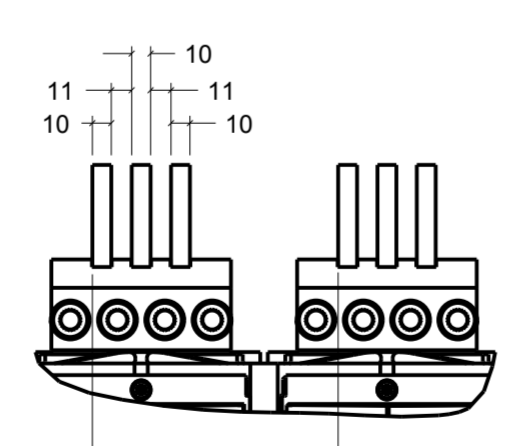
4-POLE



MAX. 3200A

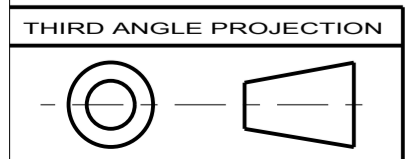


MAX. 4000A



NOTE:
 COPPER WORK MUST BE SUPPORTED WITHIN 200mm
 OF BREAKER CONNECTIONS - BUS BAR OR CABLES
 ALL BUS BAR CONNECTIONS TO BE TIGHTENED TO 50Nm TORQUE

PV1



Article or Material Must Conform to REACH Procedure SI900000 Sec. 14
 Article or Material Must Conform to RoHS Procedure SI900000 Sec. 13

Part must conform to SI 900000 Sect. 4, Toxicity Procedure

FOR ADDITIONAL INFO REFER TO:	SIGNATURES		DATE
APPLIED PRACTICES	MODEL	PRASAD	11-28-12
DIMENSIONS ARE IN MILLIMETERS	DETAIL	PRASAD	11-28-12
UNLESS OTHERWISE SPECIFIED IN DRAWING	CHECKED	GUPTA	11-28-12
	ENGRG		
TOLERANCE ON:	MFG		
1 PL DECIMALS ± 0.3	QUALITY		
2 PL DECIMALS ± 0.13	ISSUED		
ANGLES ± 0.5			
FRACTIONS ±			
FINISH			
CRITICAL TO QUALITY CHARACTERISTIC	DRAWING FILE:	10110995PV1	
	SOLID MODEL:	10110995PV1	

GE Energy		REV	3
TITLE			
FR2, 3P/4P FIXED TYPE VER			
3200A & 4000A			
ENTELLIGUARD L			
SIZE	DRAWING	REV	
A2		10110995	3
SCALE: 1:4	REF. No.:	SHEET 1 OF 1	