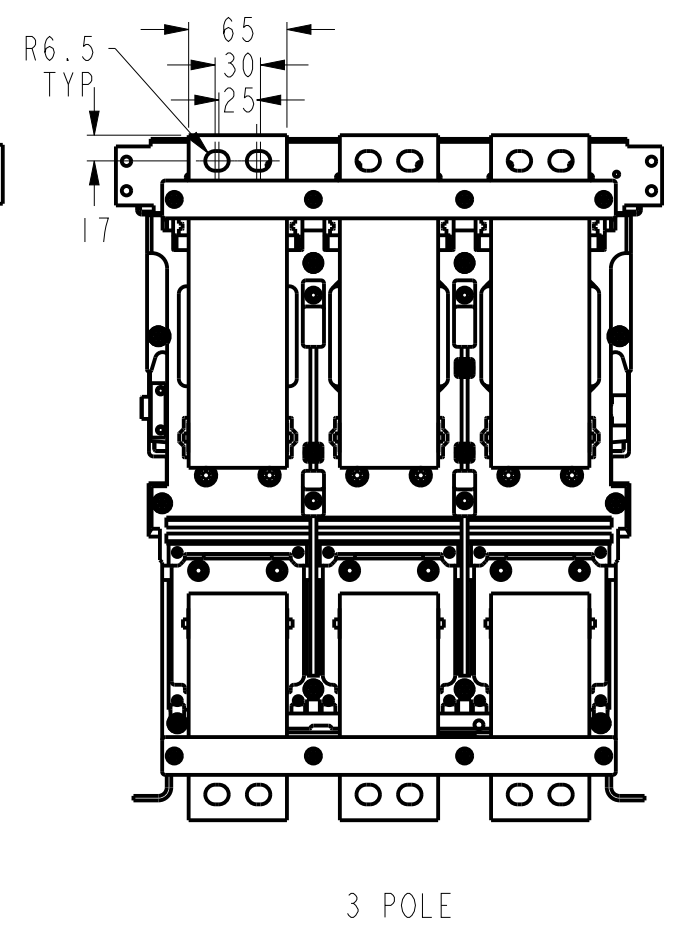
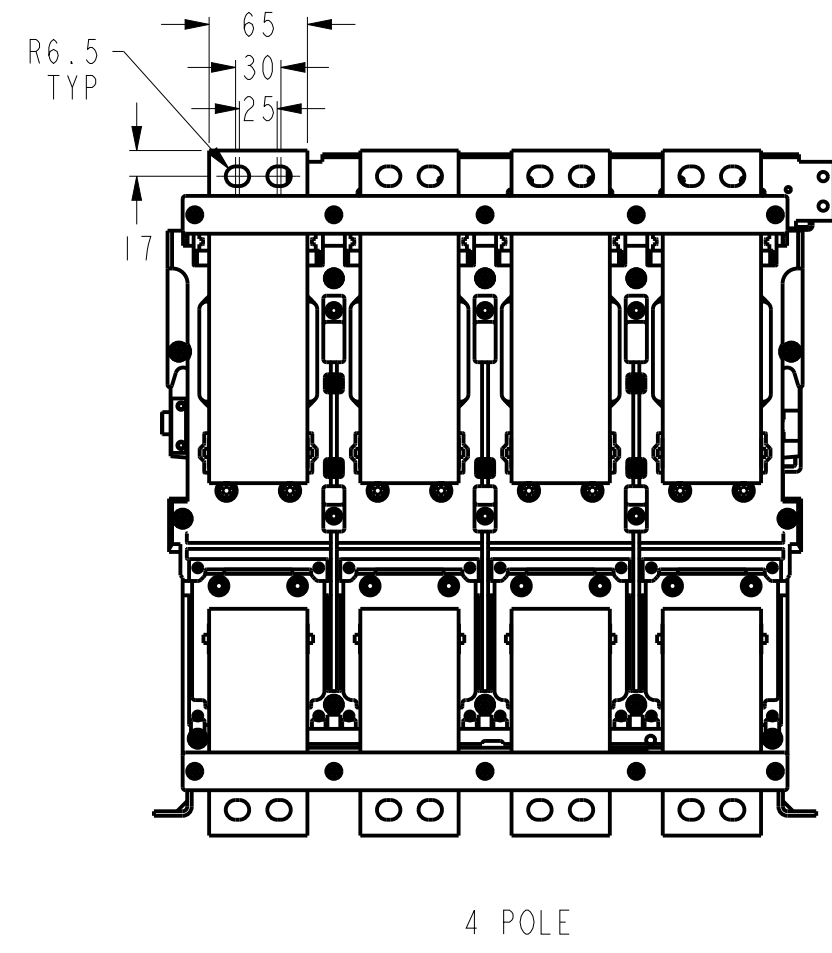
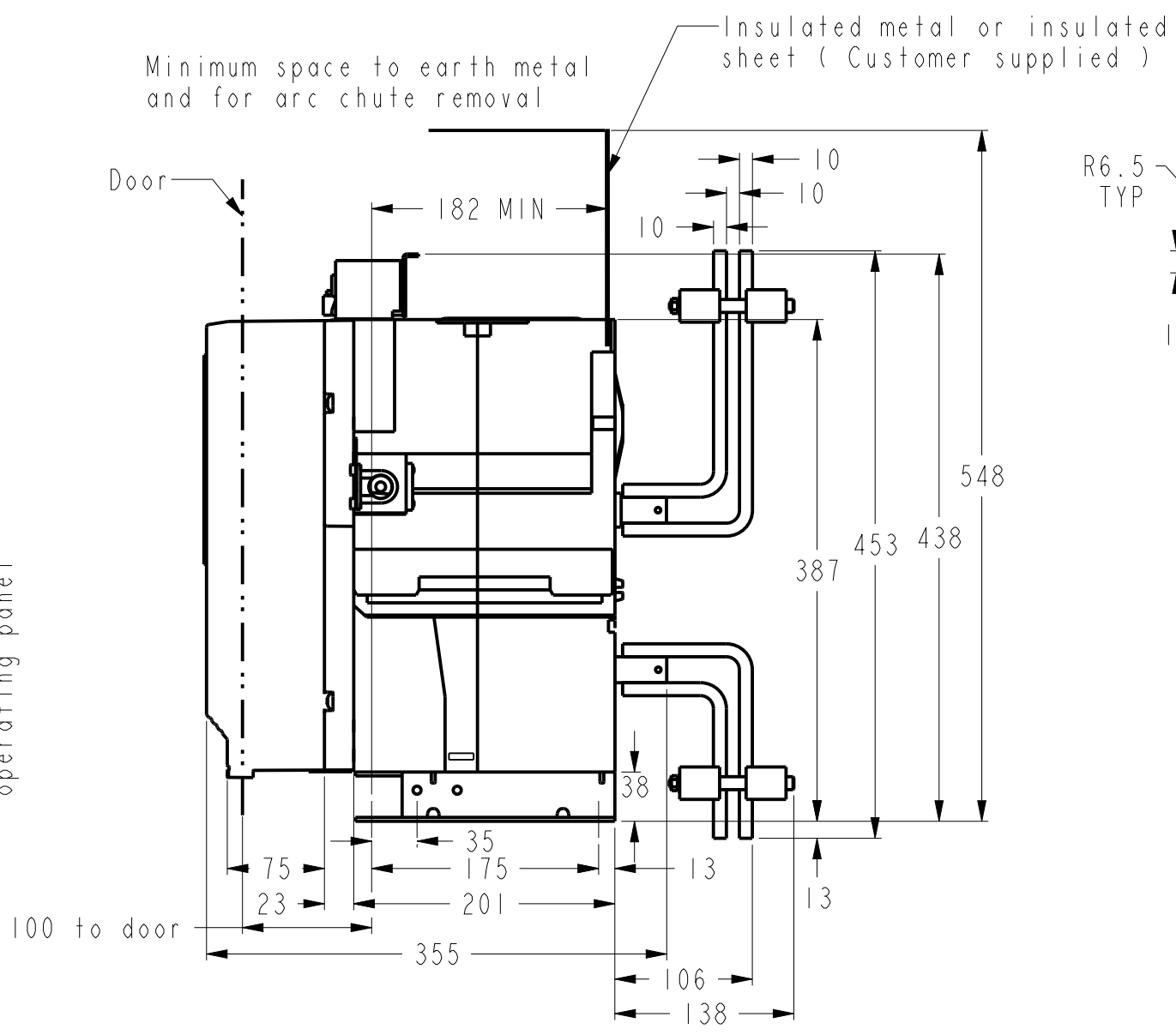
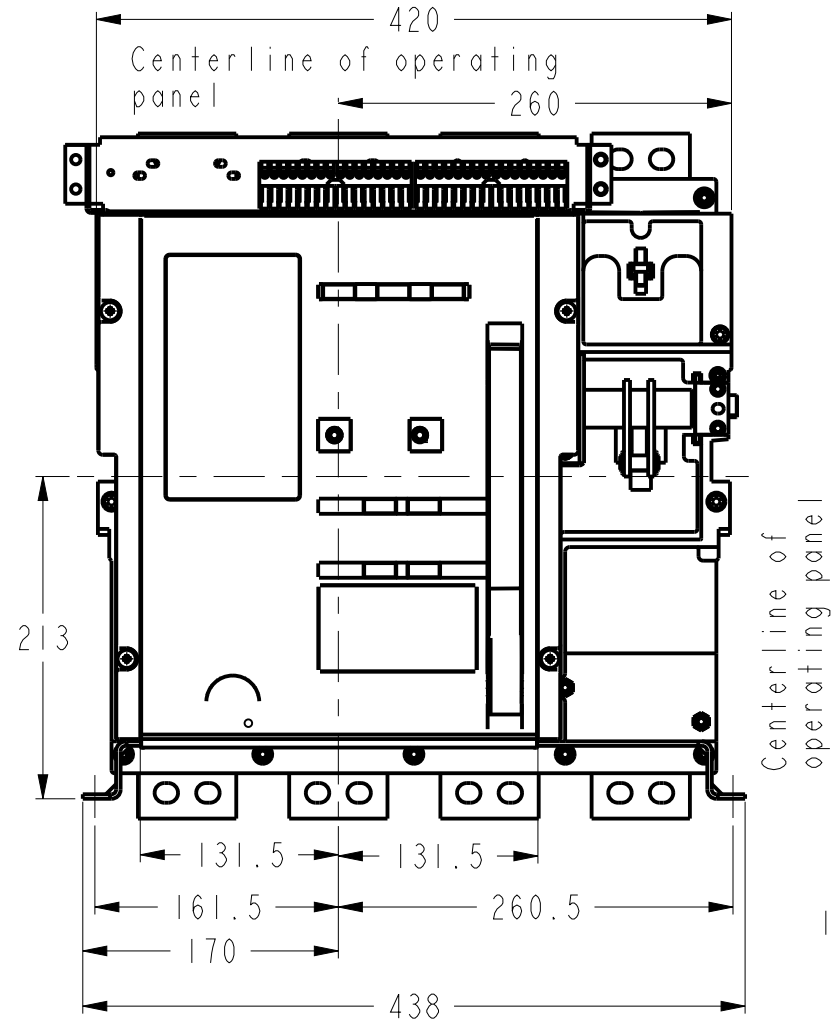
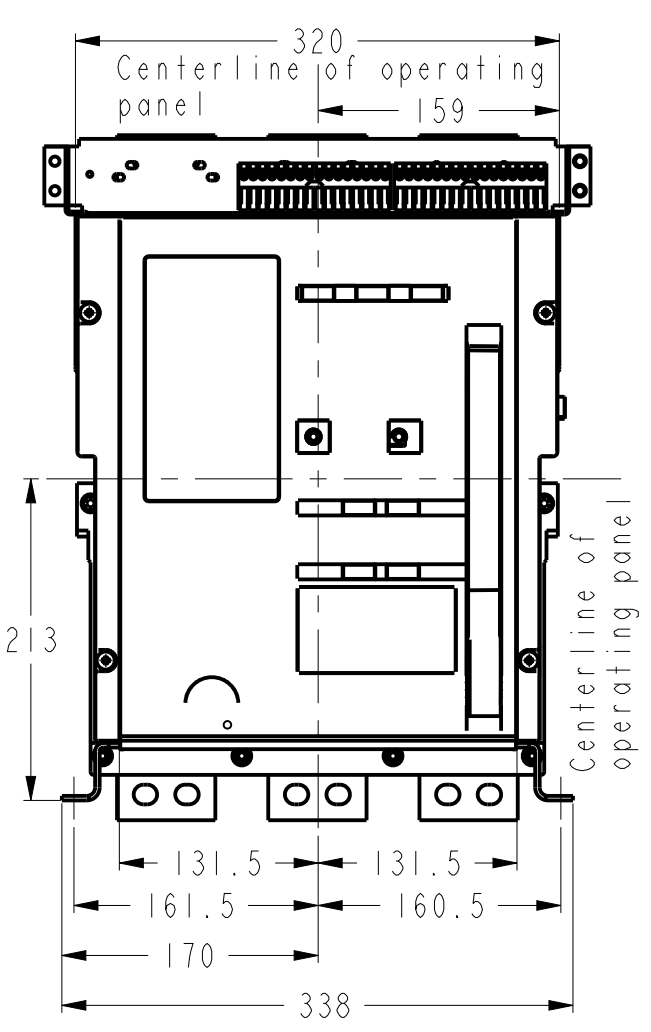
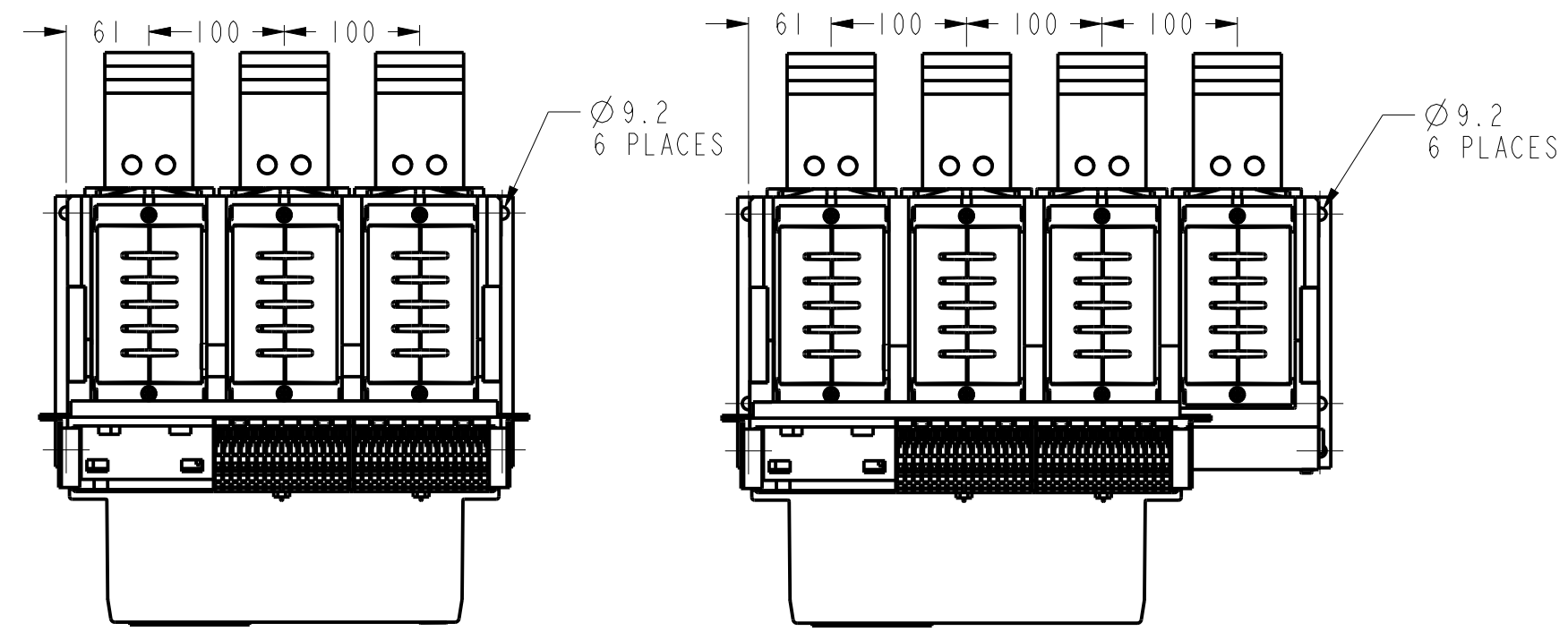
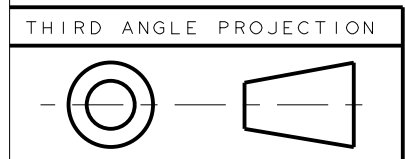


GE PROPRIETARY AND CONFIDENTIAL INFORMATION
 This document is the property of General Electric Company ("GE") and contains proprietary information of GE. This document is loaned on the express condition that neither it nor the information contained therein shall be disclosed to others without the express written consent of GE Energy, and that the information shall be used by the recipient only as approved expressly by GE Energy. This document shall be returned to GE upon its request. This document may be subject to certain restrictions under U.S. export control laws and regulations.

REVISIONS				
REV.	DESCRIPTION		DATE	APPROVED
1	R1202498	PRASAD	01-16-13	GUPTA
2	C003310		03-06-15	VS
3	C035056	RAGHAV	12-04-17	SANDEEP
4	C046810	RAGHAV	06-05-18	GUPTA



NOTE:
 COPPER WORK MUST BE SUPPORTED WITHIN 200mm OF BREAKER CONNECTIONS - BUS BAR OR CABLES
 ALL BUS BAR CONNECTIONS TO BE TIGHTENED TO 50Nm TORQUE



Article or Material Must Conform to REACH Procedure S1900000 Sec. 14
 Article or Material Must Conform to RoHS Procedure S1900000 Sec. 13

Part must conform to SI 900000 Sect. 4, Toxicity Procedure

PV1

FOR ADDITIONAL INFO REFER TO: APPLIED PRACTICES	SIGNATURES		DATE
DIMENSIONS ARE IN MILLIMETERS	MODEL	PRASAD	01-16-13
UNLESS OTHERWISE SPECIFIED IN DRAWING	DETAIL	PRASAD	01-16-13
	CHECKED	GUPTA	01-16-13
	ENGRG		
TOLERANCE ON:	MFG		
1 PL DECIMALS ± 0.3	QUALITY		
2 PL DECIMALS ± 0.13	ISSUED		
ANGLES ± 0.5			
FRACTIONS ±			
FINISH	DRAWING FILE:	10111099PV1	
CRITICAL TO QUALITY CHARACTERISTIC	SOLID MODEL:	10111099PV1	

GE Energy

TITLE: **FIXED 2500A 3P/4P FLAT FRONT FRAME 1 ENTELLIGUARD L**

SIZE	DRAWING	REV
A2	10111099	4

SCALE: 1:5 REF. No. SHEET 1 OF 1

METRIC

METRIC