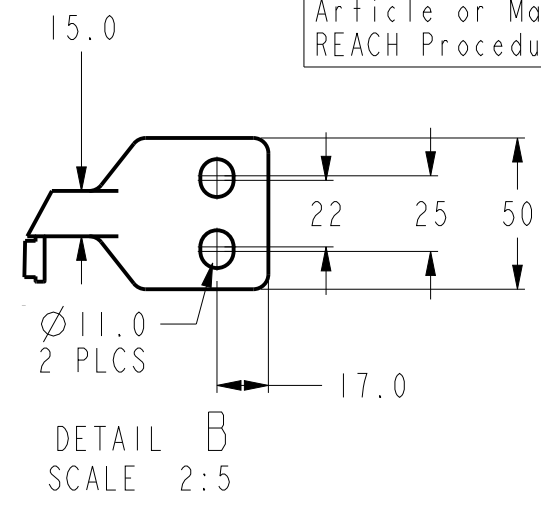
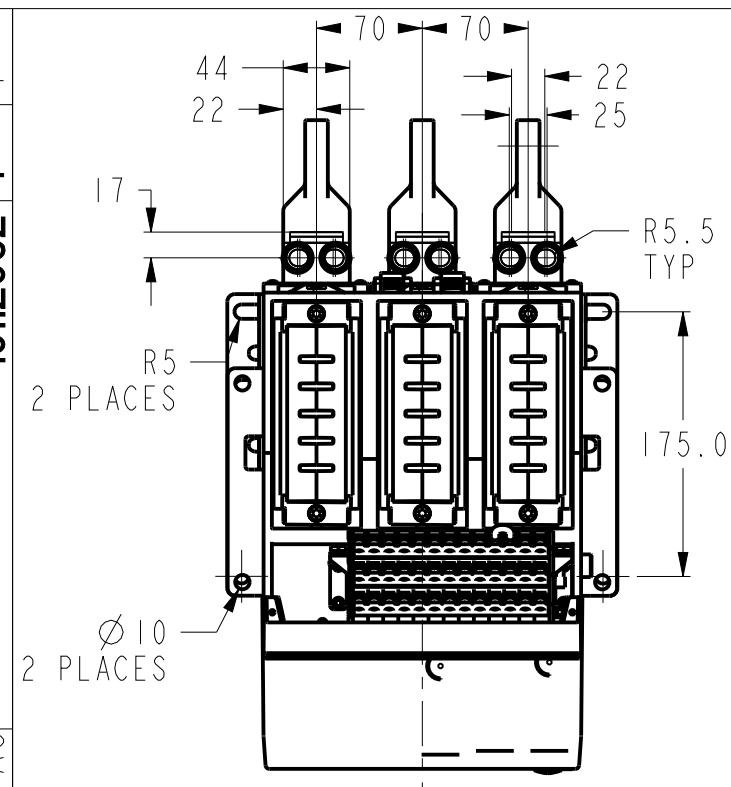


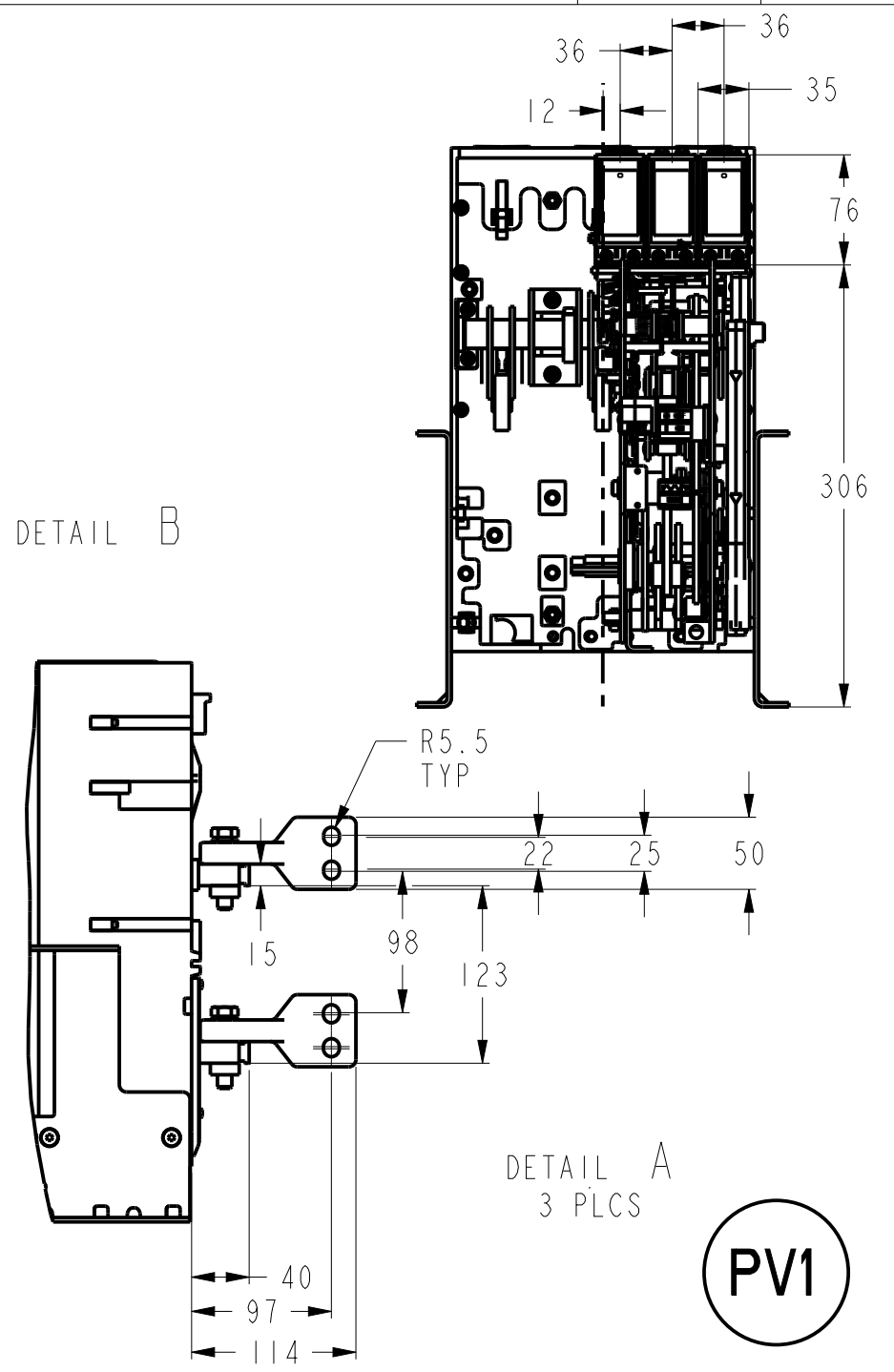
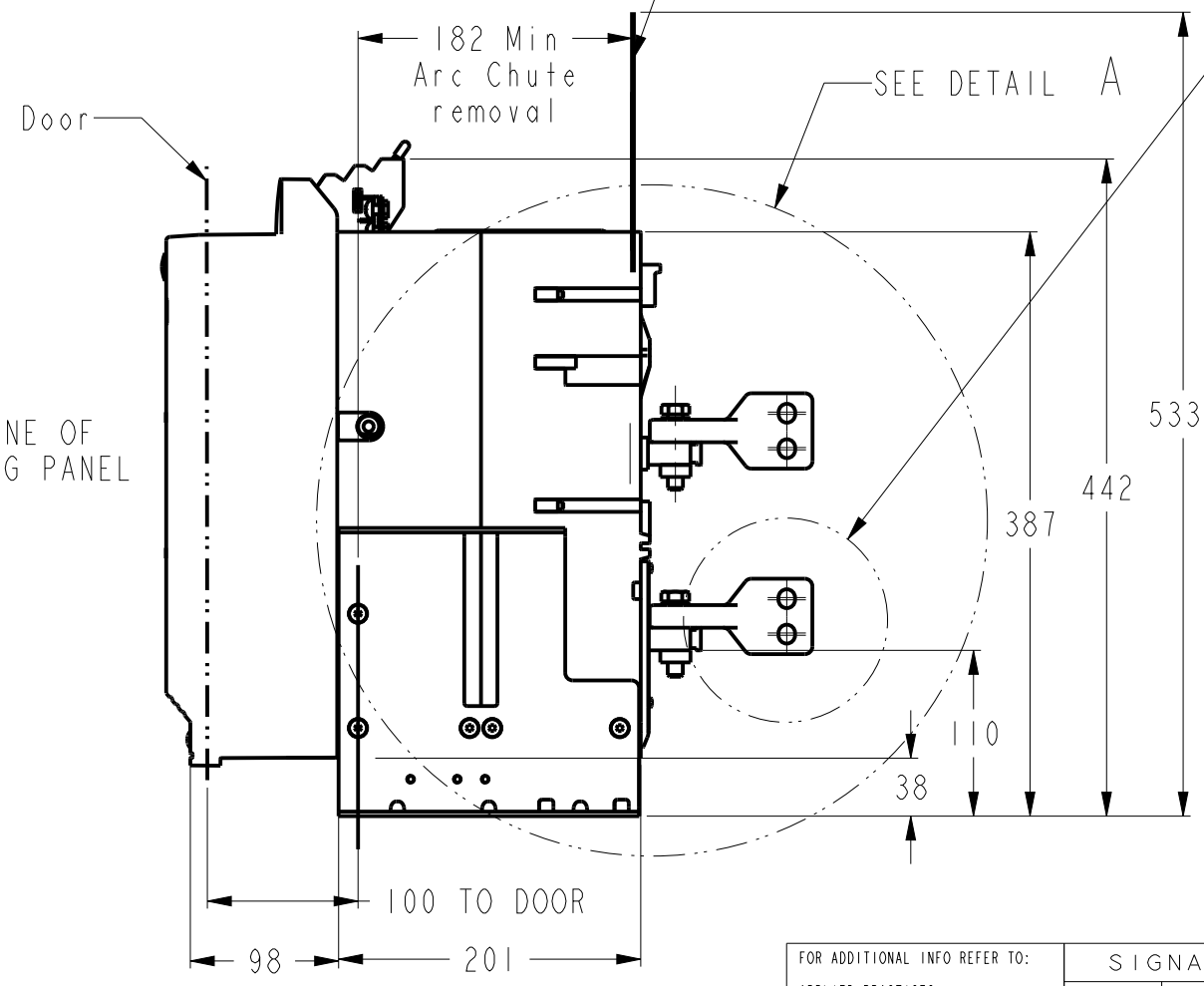
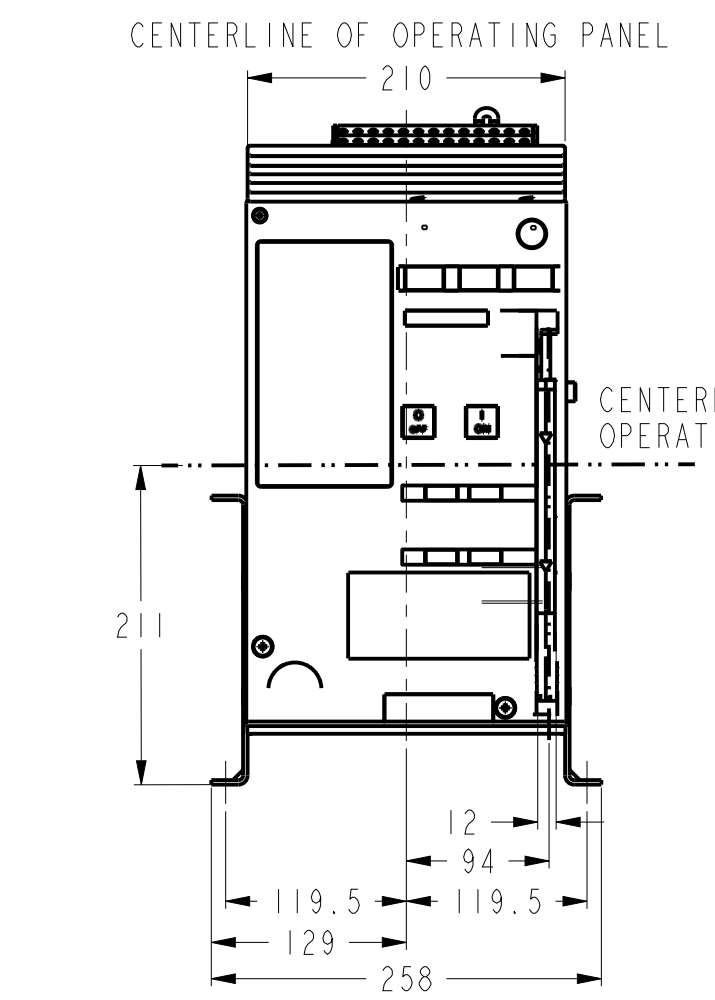
SHEET 4
 REV 10112062
 DRAWING NO. A3
 SIZE

GE PROPRIETARY AND CONFIDENTIAL INFORMATION
 This document is the property of General Electric Company ("GE") and contains proprietary information of GE. This document is loaned on the express condition that neither it nor the information contained therein shall be disclosed to others without the express written consent of GE Energy, and that the information shall be used by the recipient only as approved expressly by GE Energy. This document shall be returned to GE upon its request. This document may be subject to certain restrictions under U.S. export control laws and regulations.
Article or Material Must Conform to REACH Procedure SI900000 Sec. 14

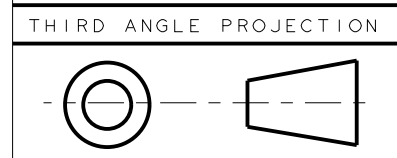
REVISIONS				
REV.	DESCRIPTION	DATE	APPROVED	
1	R1329019	ARUN	11-06-2013	RAJESH
2	C003032		02-24-2015	VS
3	C035056	RAGHAV	01-02-2018	SANDEEP
4	C046810	RAGHAV	06-11-2018	GUPTA



MINIMUM SPACE TO EARTH METAL AND FOR ARC CHUTE REMOVAL
 INSULATED METAL OR INSULATED SHEET (CUSTOMER SUPPLIED)



NOTE:
 COPPER WORK MUST BE SUPPORTED WITHIN 200MM OF BREAKER CONNECTIONS - BUS BAR OR CABLES
 ALL BUS BAR CONNECTIONS TO BE TIGHTENED TO 50Nm TORQUE



Article or Material Must Conform to RoHS Procedure SI900000 Sec. 13

Part must conform to SI 900000 Sect. 4, Toxicity Procedure

FOR ADDITIONAL INFO REFER TO:	SIGNATURES	DATE
APPLIED PRACTICES		
DIMENSIONS ARE IN MILLIMETERS		
UNLESS OTHERWISE SPECIFIED IN DRAWING		
TOLERANCE ON:		
1 PL DECIMALS ± 0.3		
2 PL DECIMALS ± 0.13		
ANGLES ± 0.5		
FRACTIONS ±		
FINISH		
CRITICAL TO QUALITY CHARACTERISTIC		

GE Energy
OUTLINE DRW 1600A 3P, FIXED
VERTICAL MINIGUARD
 SIZE: A3
 SCALE: 1:10
 REF. No.:
10112062
 REV 4
 SHEET 1 of 1

METRIC

METRIC

PV1