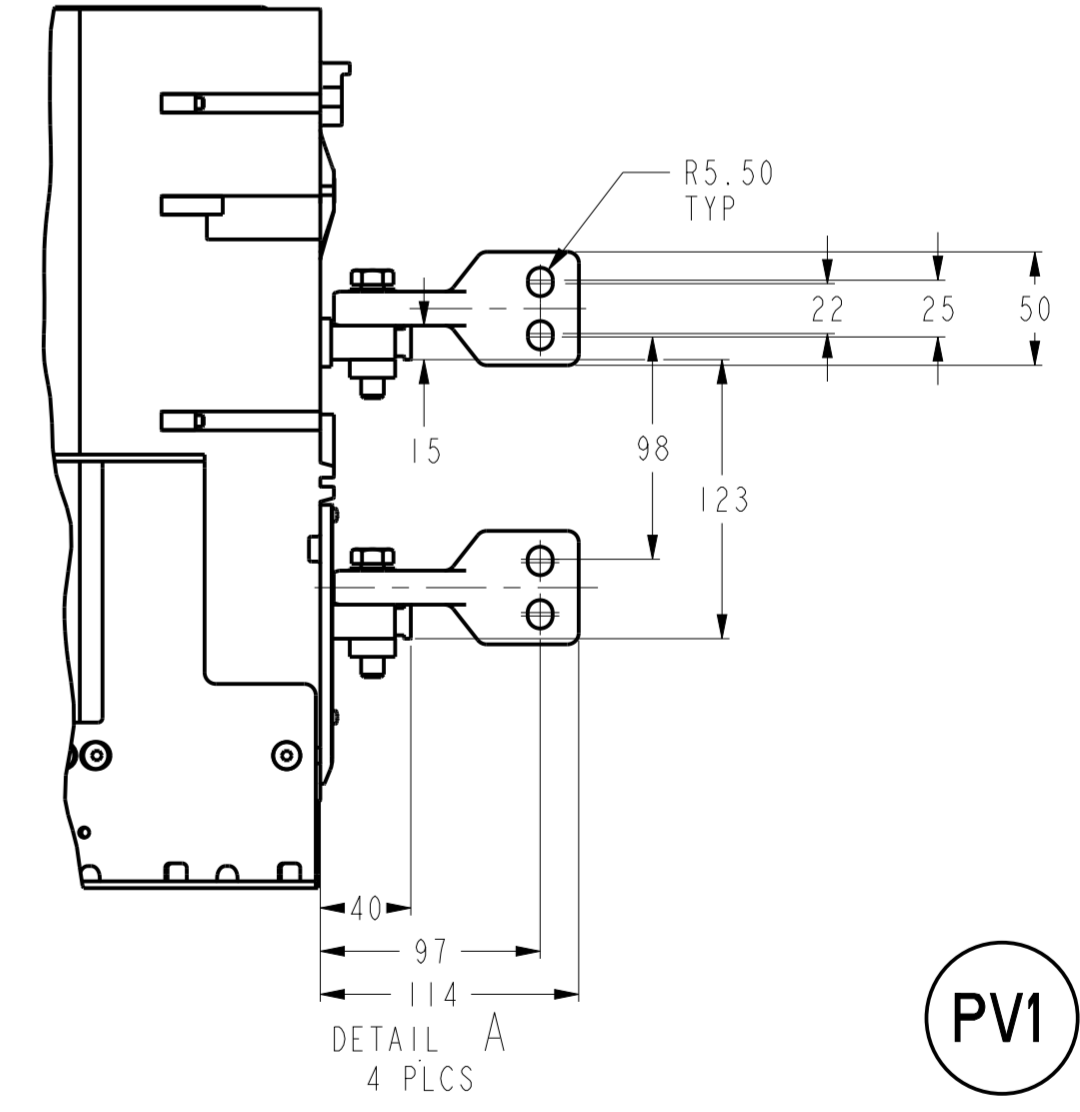
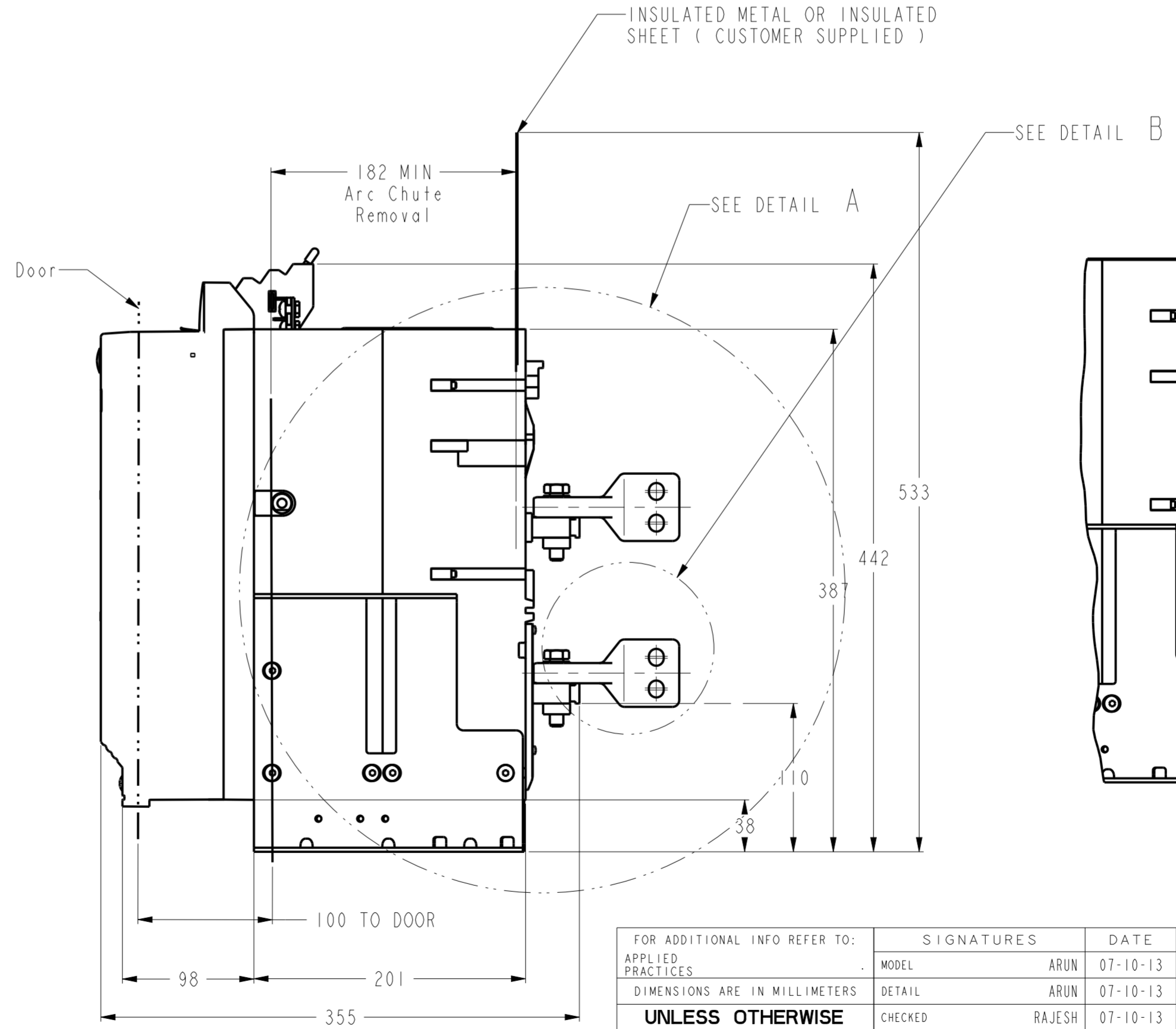
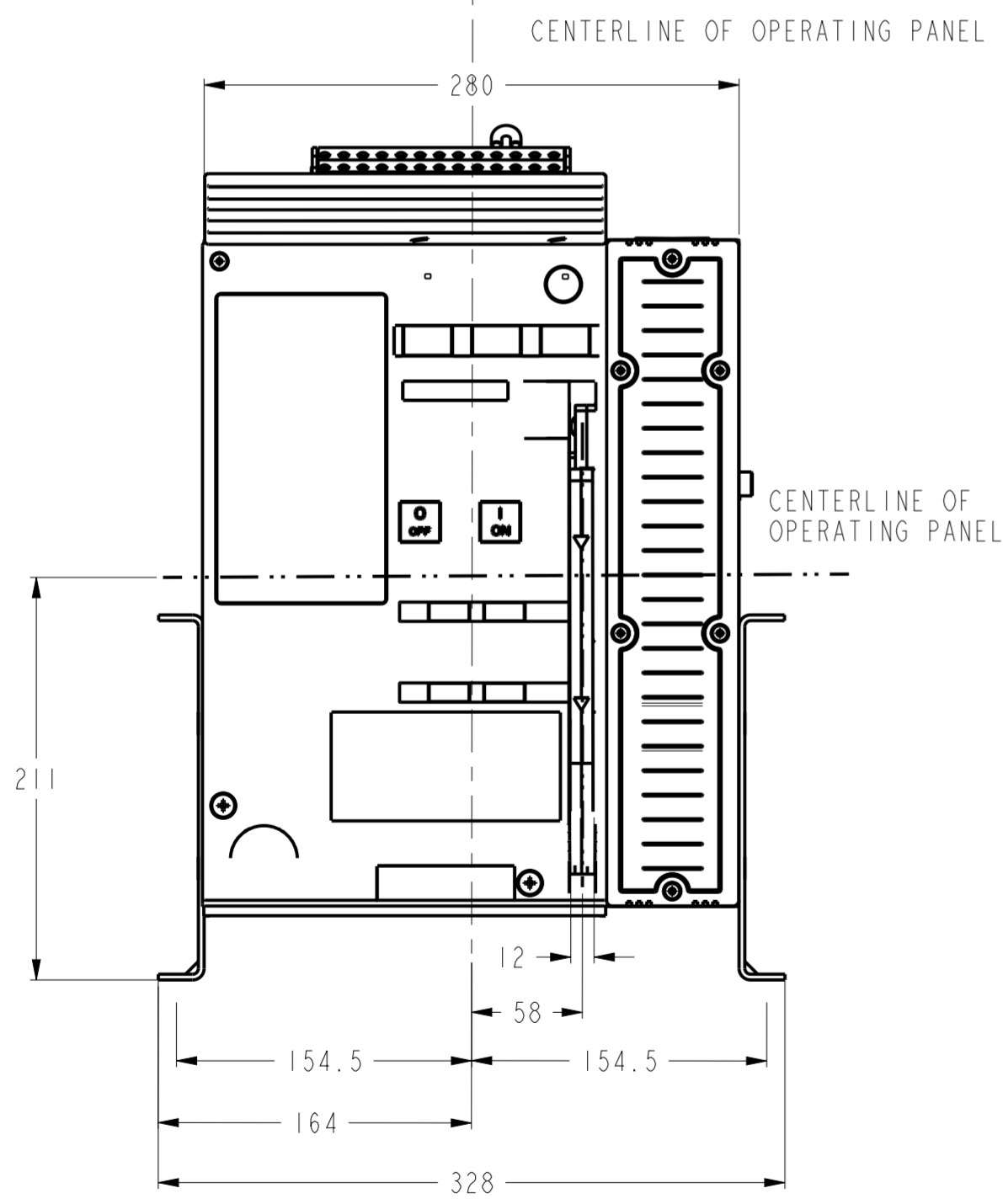
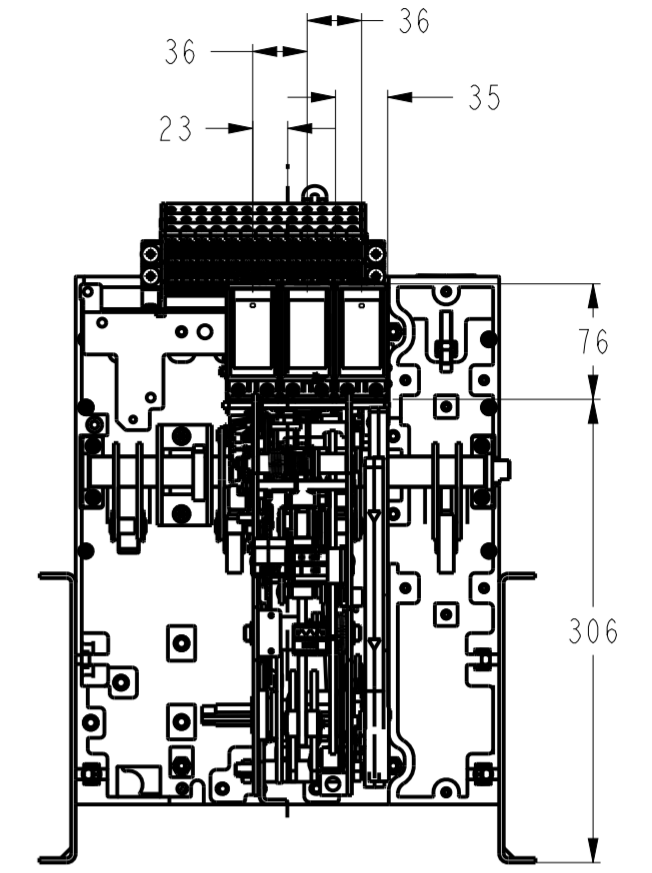
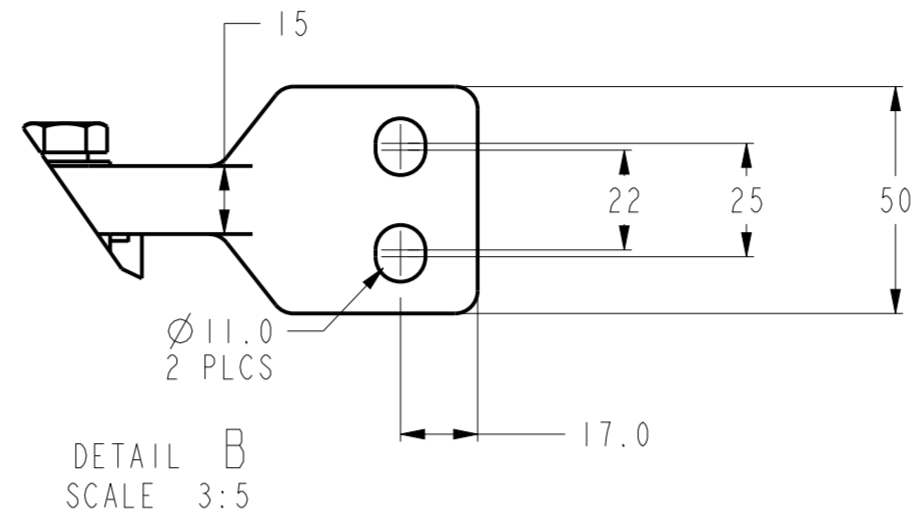
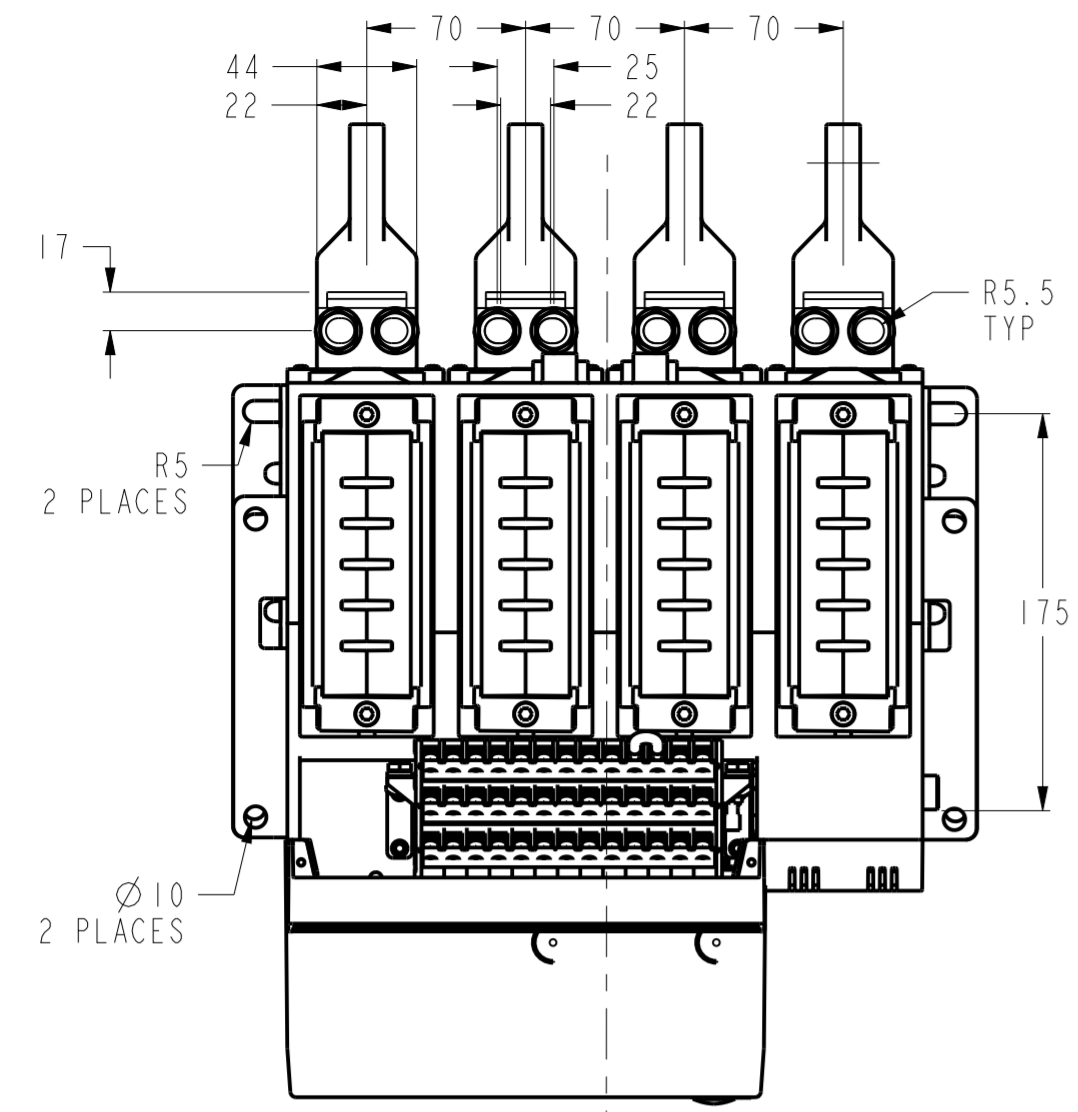


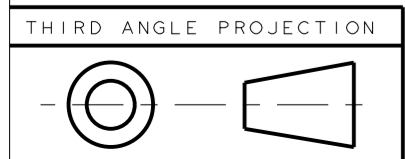
GE PROPRIETARY AND CONFIDENTIAL INFORMATION
 This document is the property of General Electric Company ("GE") and contains proprietary information of GE. This document is loaned on the express condition that neither it nor the information contained therein shall be disclosed to others without the express written consent of GE Energy, and that the information shall be used by the recipient only as approved expressly by GE Energy. This document shall be returned to GE upon its request. This document may be subject to certain restrictions under U.S. export control laws and regulations.

REVISIONS				
REV.	DESCRIPTION	DATE	APPROVED	
1	R1329019	11-06-2013	ARUN	RAJESH
2	C003032	02-24-2015		VS
3	C035056	01-08-2018	RAGHAV	SANDEEP
4	C046810	06-11-2018	RAGHAV	GUPTA



PV1

NOTE:
 COPPER WORK MUST BE SUPPORTED WITHIN 200MM OF BREAKER CONNECTIONS - BUS BAR OR CABLES
 ALL BUS BAR CONNECTIONS TO BE TIGHTENED TO 50Nm TORQUE



Article or Material Must Conform to REACH Procedure S1900000 Sec. 14
 Article or Material Must Conform to RoHS Procedure S1900000 Sec. 13
 Part must conform to SI 900000 Sect. 4, Toxicity Procedure

FOR ADDITIONAL INFO REFER TO:	SIGNATURES	DATE
APPLIED PRACTICES	MODEL	ARUN 07-10-13
DIMENSIONS ARE IN MILLIMETERS	DETAIL	ARUN 07-10-13
UNLESS OTHERWISE SPECIFIED IN DRAWING	CHECKED	RAJESH 07-10-13
	ENGRG	
	MFG	
	QUALITY	
TOLERANCE ON:	ISSUED	
1 PL DECIMALS ± 0.3		
2 PL DECIMALS ± 0.13		
ANGLES ± 0.5		
FRACTIONS ±		
FINISH		
CRITICAL TO QUALITY CHARACTERISTIC	DRAWING FILE:	10112063PV1
	SOLID MODEL:	10112063PV1

GE Energy

TITLE
OUTLINE DRW 1600A 4P, FIXED VERTICAL MINIGUARD

SIZE: DRAWING A2 10112063 4 REV SHEET 1 OF 1

SCALE: 3:10 REF. No. .