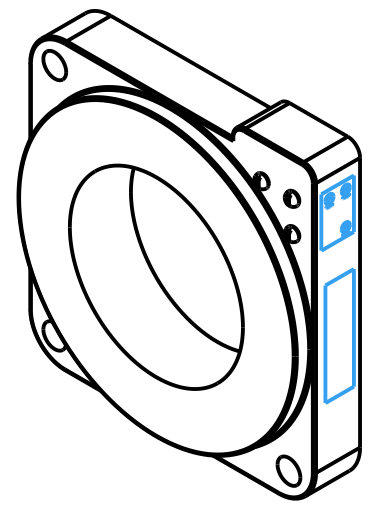
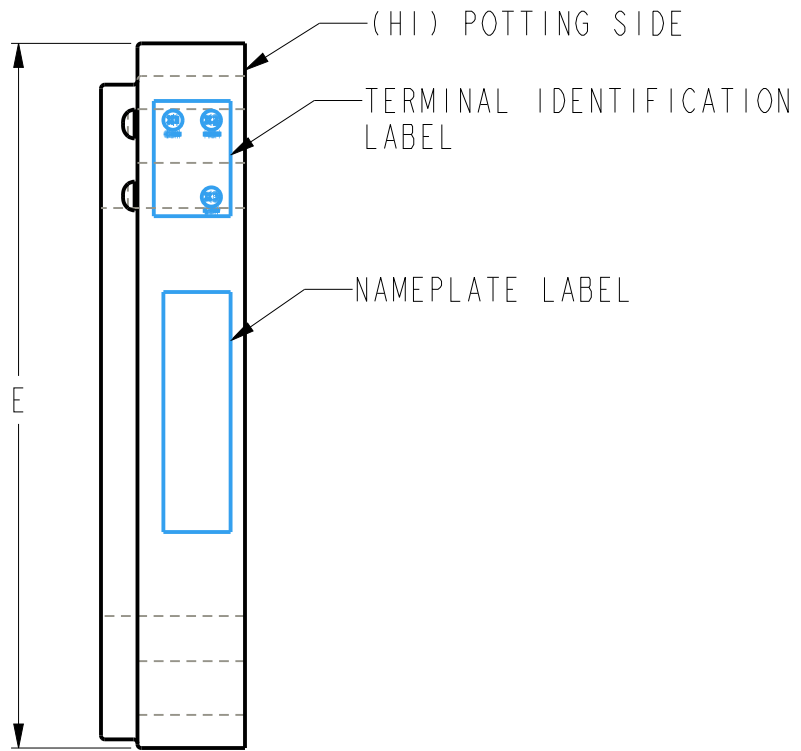
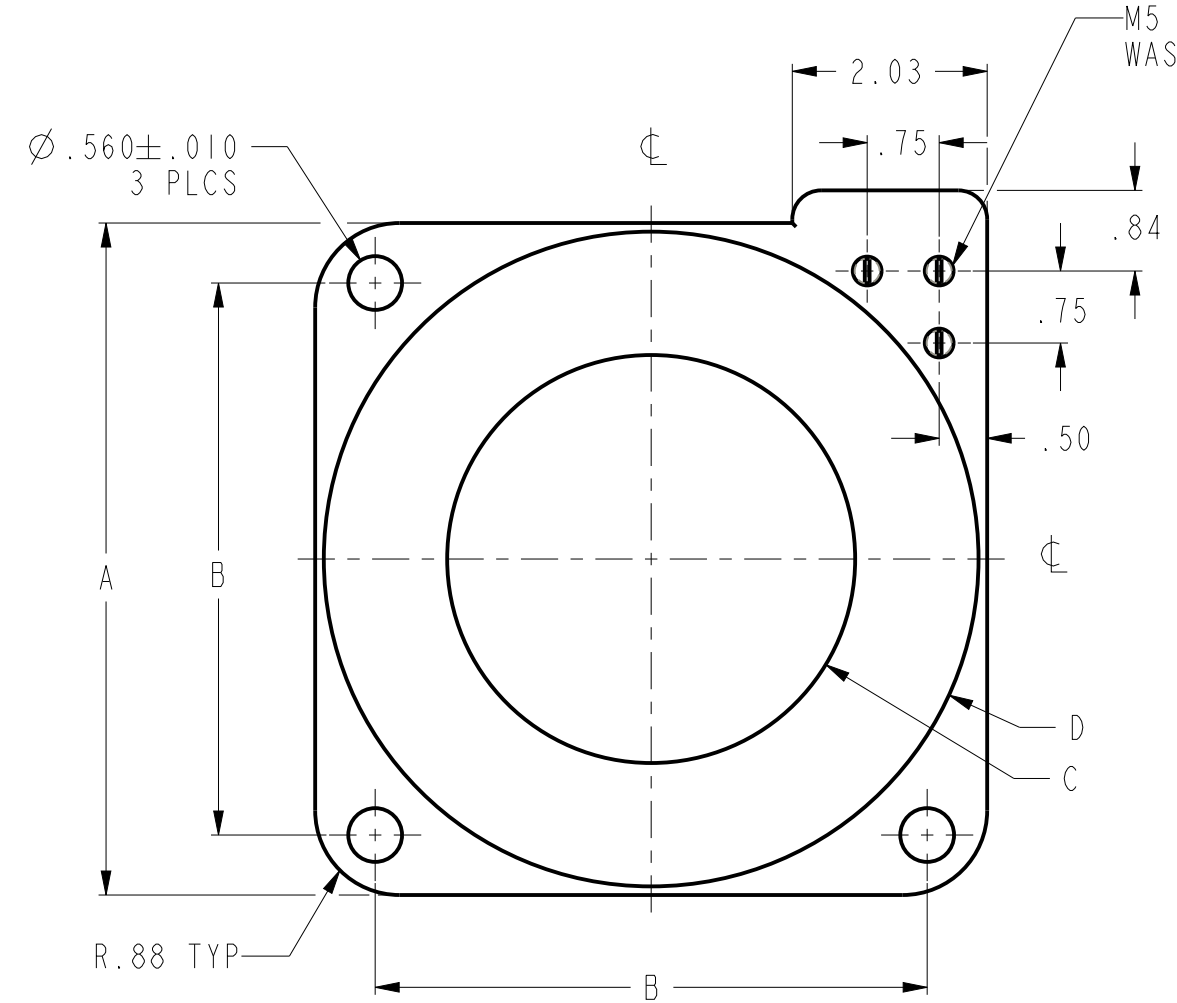
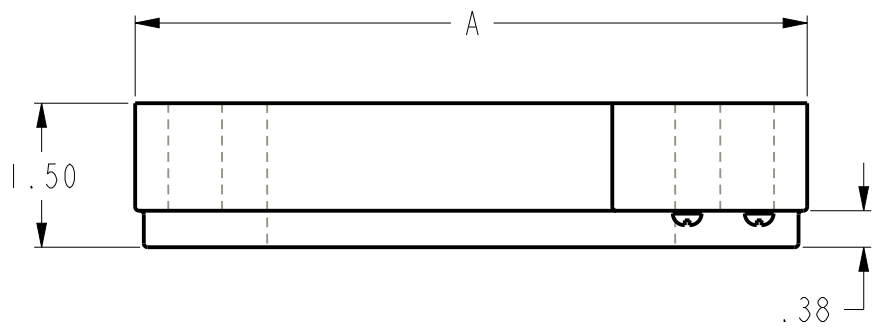


GE PROPRIETARY AND CONFIDENTIAL INFORMATION
 This document is the property of General Electric Company ("GE") and contains proprietary information of GE. This document is loaned on the express condition that neither it nor the information contained therein shall be disclosed to others without the express written consent of GE Energy, and that the information shall be used by the recipient only as approved expressly by GE Energy. This document shall be returned to GE upon its request. This document may be subject to certain restrictions under U.S. export control laws and regulations.

REVISIONS			
REV.	DESCRIPTION	DATE	APPROVED
1	R1403445	04/18/14	VASANTH

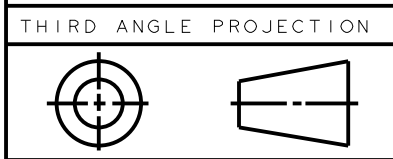


NOTES:

- UNITS ARE ENCAPSULATED, HI SIDE IS THE ENCAPSULATED SIDE.
- OPEN CIRCUIT PROTECTION IS MOLDED INSIDE UNIT.

P1

GCAT NUMBER	PRIMARY CURRENT(A)		SECONDARY CURRENT(A)	FREQUENCY	NEUTRAL CTs DIMENSIONS				
	HIGH	LOW			A	B	C	D	E
SSVG808W	800	400	0.2	50/60	7.00	5.75	Ø 4.25	Ø 6.82	7.34
SSVG816W	1600	1000	0.2	50/60	8.56	7.31	Ø 5.63	Ø 8.38	8.90
SSVG820W	2000	1200	0.2	50/60					
SSVG825W	2500	1800	0.4	50/60					
SSVG940W	4000	3000	0.4	50/60	9.56	8.31	Ø 6.50	Ø 9.38	9.87



Part must conform to SI 900000 Sect. 4, Toxicity Procedure

FOR ADDITIONAL INFO REFER TO: APPLIED PRACTICES DIMENSIONS ARE IN INCHES UNLESS OTHERWISE SPECIFIED IN DRAWING TOLERANCE ON: 1 PL DECIMALS ± 0.1 2 PL DECIMALS ± 0.03 3 PL DECIMALS ± 0.015 ANGLES ± 1.0 FRACTIONS ± FINISH CRITICAL TO QUALITY CHARACTERISTIC	SIGNATURES		DATE	GE Energy TITLE OUTLINE, NEUTRAL CTs HPC PBI 800 to 4000Amps SIZE DRAWING B SCALE: 0.500
	MODEL	VASANTH	04/01/14	
	DETAIL	VASANTH	04/01/14	
	CHECKED	BILL	04/01/14	
	ENGRG			
	MFG			
QUALITY				
ISSUED				
DRAWING FILE:	10112973P1			10112973 1 SHEET 1 of 1
SOLID MODEL:	279B1360T1			