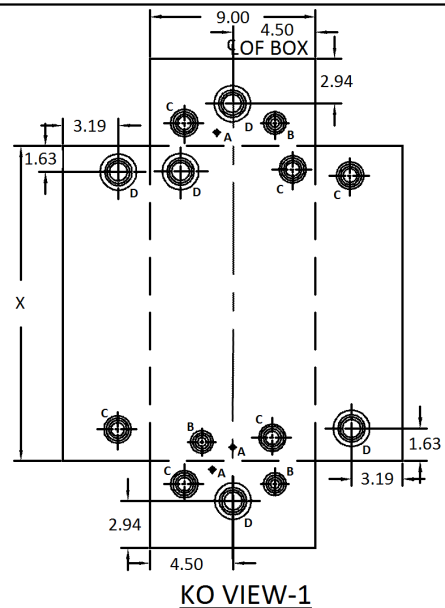
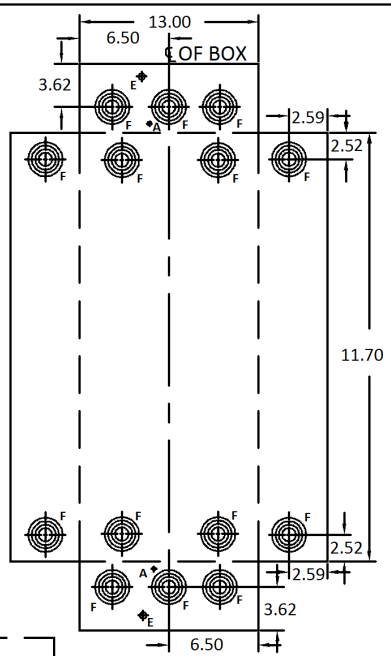


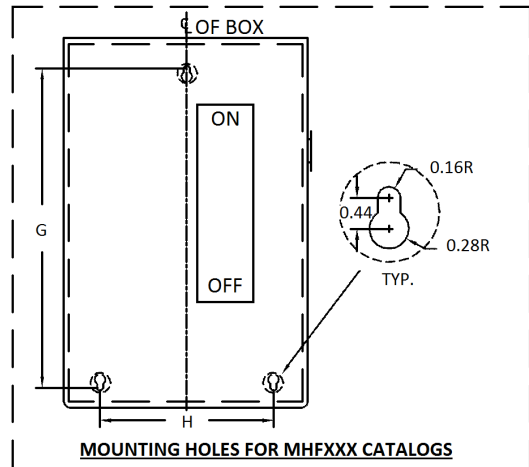
NOTE:  
 1. ALL DIMENSIONS ARE IN INCHES.  
 2. ALL DIMENSIONS HAVE  $\pm 0.125$  TOLERANCE.



KO VIEW-1



KO VIEW-2



MOUNTING HOLES FOR MHFXXX CATALOGS

DIMENSION TABLE											
CAT. NO.	KO VIEW	A	B	C	D	E	F	G	H	I	X
MHF224N/ MHF324N/ MHF364	2	31.50	13.31	14.11	13.11	31.30	5.06	28.35	11.00	10.53	-
MHF364	2	31.50	13.31	14.11	13.11	31.30	5.06	28.35	11.00	10.53	-
MHF323N/ MHF223N	1	21.33	9.32	10.12	9.11	21.05	4.81	19.56	7.51	9.78	20.94
MHU363	1	17.58	9.32	10.12	9.11	17.30	4.81	15.81	7.51	9.78	17.19
MHF363	1	22.33	9.32	10.12	9.11	22.05	4.81	20.56	7.51	9.78	21.94

KNOCKOUT TABLE			
SYM.	SIZE	QTY.	
		VIEW 1	VIEW 2
A	9/32KO	3	2
B	1/2 X 3/4 X 1 X 1 1/4 KO	3	-
C	3/4 X 1 X 1 1/4 X 1 1/2 KO	6	-
D	1 X 1 1/4 X 1 1/2 X 2 KO	5	-
E	1/2 KO	-	2
F	1 X 1 1/2 X 2 X 2 1/2 KO	-	14

**MIDWEST ELECTRIC**

**OUTLINE DRAWING-HEAVY DUTY SAFETY SWITCH  
 100 & 200A, NEMA TYPE 1 ENCLOSURE**

DWG. NO. <b>10103093SH5</b>	DATE <b>10/06/14</b>	REV <b>01</b>
--------------------------------	-------------------------	------------------