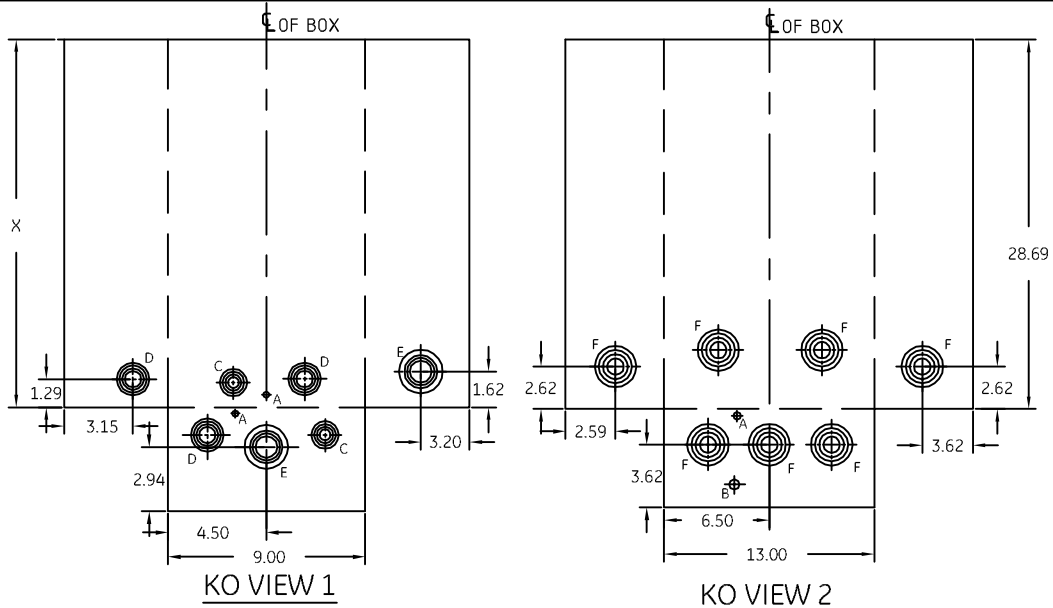


FIG. 1



KO VIEW 1

KO VIEW 2

(3) 0.33 MTG. HOLES

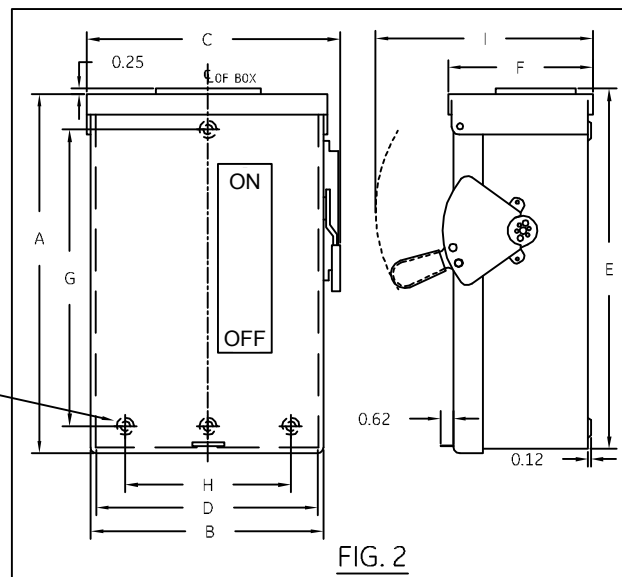
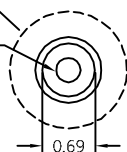


FIG. 2

NOTE :
 1. ALL DIMENSIONS ARE IN INCHES.
 2. ALL DIMENSIONS HAVE ± 0.125 TOLERANCE.

DIMENSION TABLE

CAT NO.	MOD.	FIG.	KO VIEW	A	B	C	D	E	F	G	H	I	X
MGF323NR/ MGF223NR	8	1	1	21.05	9.32	10.30	9.11	21.31	5.04	18.71	7.50	9.06	20.94
MGU323R	8	1	1	15.55	9.32	10.30	9.11	15.81	5.04	13.21	7.50	9.06	15.44
MGF324NR/ MGF224NR/ MGU324R	8	2	2	28.78	13.37	14.27	13.12	29.06	5.29	24.68	11.27	8.85	-

KNOCKOUT TABLE

SYM.	SIZE	QTY.	
		VIEW 1	VIEW 2
A	9/32 KO	2	1
B	1/2 KO	-	1
C	1/2 X 3/4 X 1 X 1 1/4 KO	2	-
D	3/4 X 1 X 1 1/4 X 1 1/2 KO	3	-
E	1 X 1 1/4 X 1 1/2 X 2 KO	2	-
F	1 X 1 1/2 X 2 X 2 1/2 KO	-	7



MIDWEST ELECTRIC

OUTLINE DRAWING-GENERAL DUTY SAFETY SWITCH, 100&200A, NEMA -TYPE 3R ENCLOSURE

DWG NO.

10103093SH7

DATE

REV