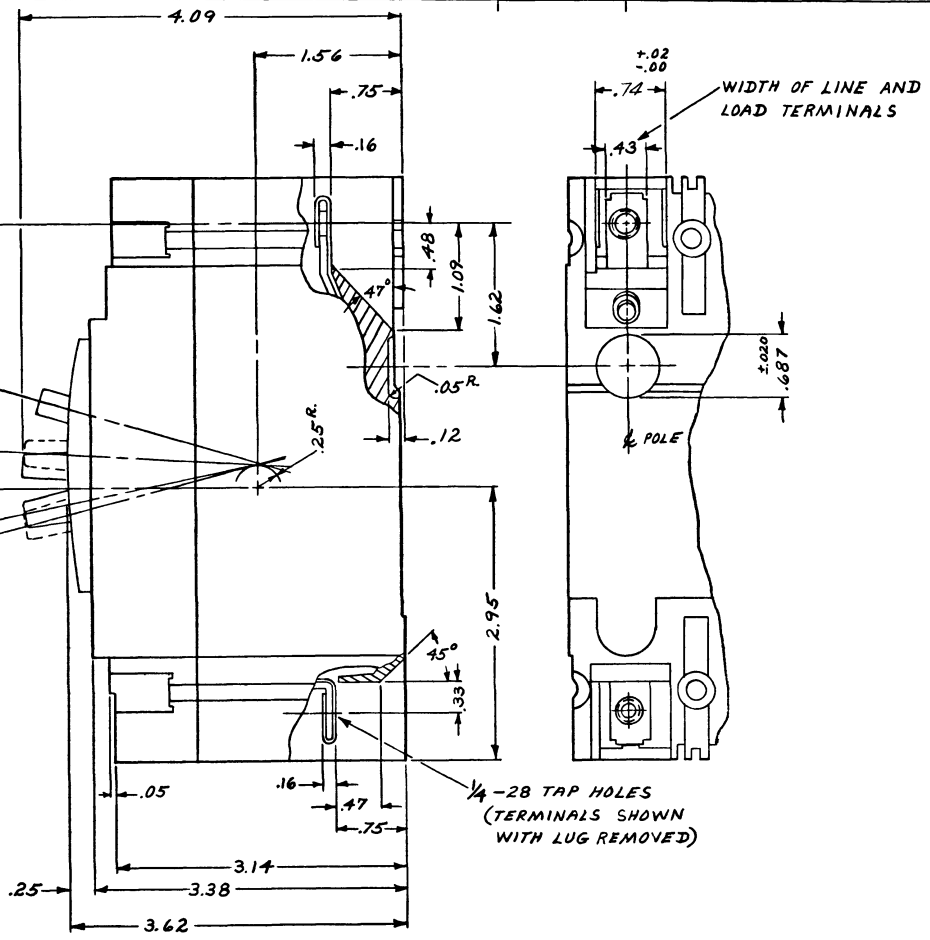
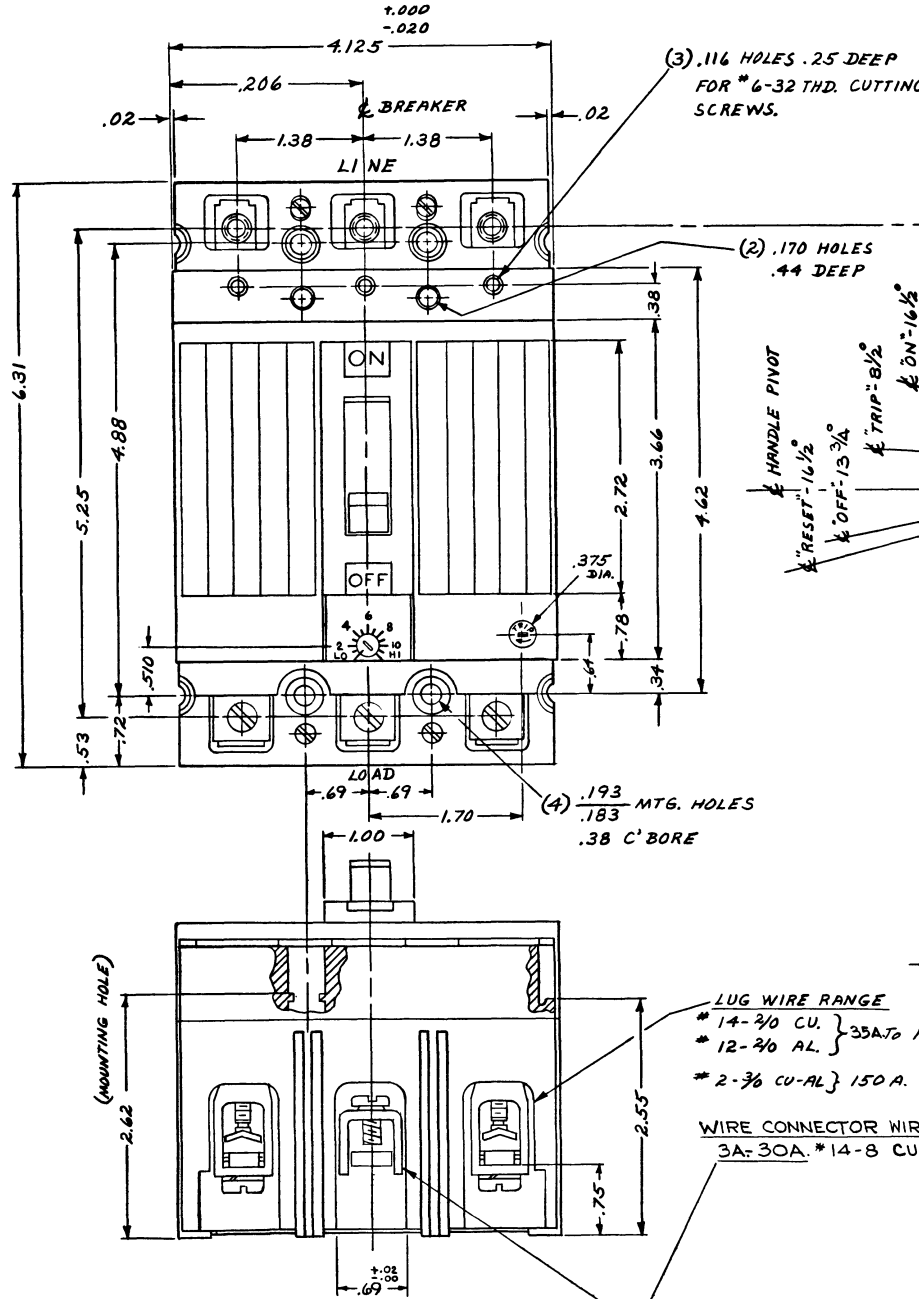


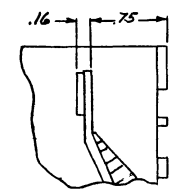
APPLIED PRACTICES	SURFACES	TOLERANCES ON MACHINED DIMENSIONS	
	✓	2 PLACE DEC. ± .02	3 PLACE DEC. ± .005
FOR ADDITIONAL INFO REFER TO		UNLESS SHOWN ON INDIVIDUAL DIMENSIONS TOLERANCES IN THIS BLOCK APPLY	

TITLE OUTLINE  
CIRCUIT BREAKER (MAGNETIC ONLY)  
FIRST MADE FOR TEC 1/3 3 POLE

A  
B  
C  
D  
E



LUG WIRE RANGE  
 \* 14-2/0 CU. } 35A TO 100A  
 \* 12-2/0 AL.  
 \* 2-3/0 CU-AL } 150A.  
 WIRE CONNECTOR WIRE RANGE  
 3A-30A \* 14-8 CU-AL



150 AMP  
LINE STRAP ONLY  
CONSTRUCTION OTHERWISE  
SAME AS ABOVE

GE (USA) CONFIDENTIAL AND PROPRIETARY  
 This GE document contains confidential and proprietary information of GE Electrical Distribution & Control (ED&C). It is loaned on condition that it and the information therein shall not be used by recipient nor be disclosed to others except as expressly approved by ED&C. Any document containing such information shall be returned on request.

PROPRIETARY DOCUMENT  
 PERMISSION FOR REPRODUCTION  
 MUST BE OBTAINED FROM  
 GENERAL ELECTRIC CO.

\*RASTER\*  
GENERATED

REVISIONS				PRINTS TO	
6	12-22-70 DUS GA	M868	1	9-15-70 H470	DAD 115
7	5-14-80 GA	R563	2	11-11-70 H616-52	120
			6	2-5-71 H756	
			3	5-10-71 H915	
			4	JAN. 7, 72 J267	
			5	APR. 28, 72 J393	

MADE BY F. BELAND	DATE 6-15-70	APPROVALS 2-5-71	CIR. PROT. DEVICES PLAINVILLE, CONN.	DIV. OF DEPT.	139C3800
----------------------	-----------------	---------------------	---	------------------	----------