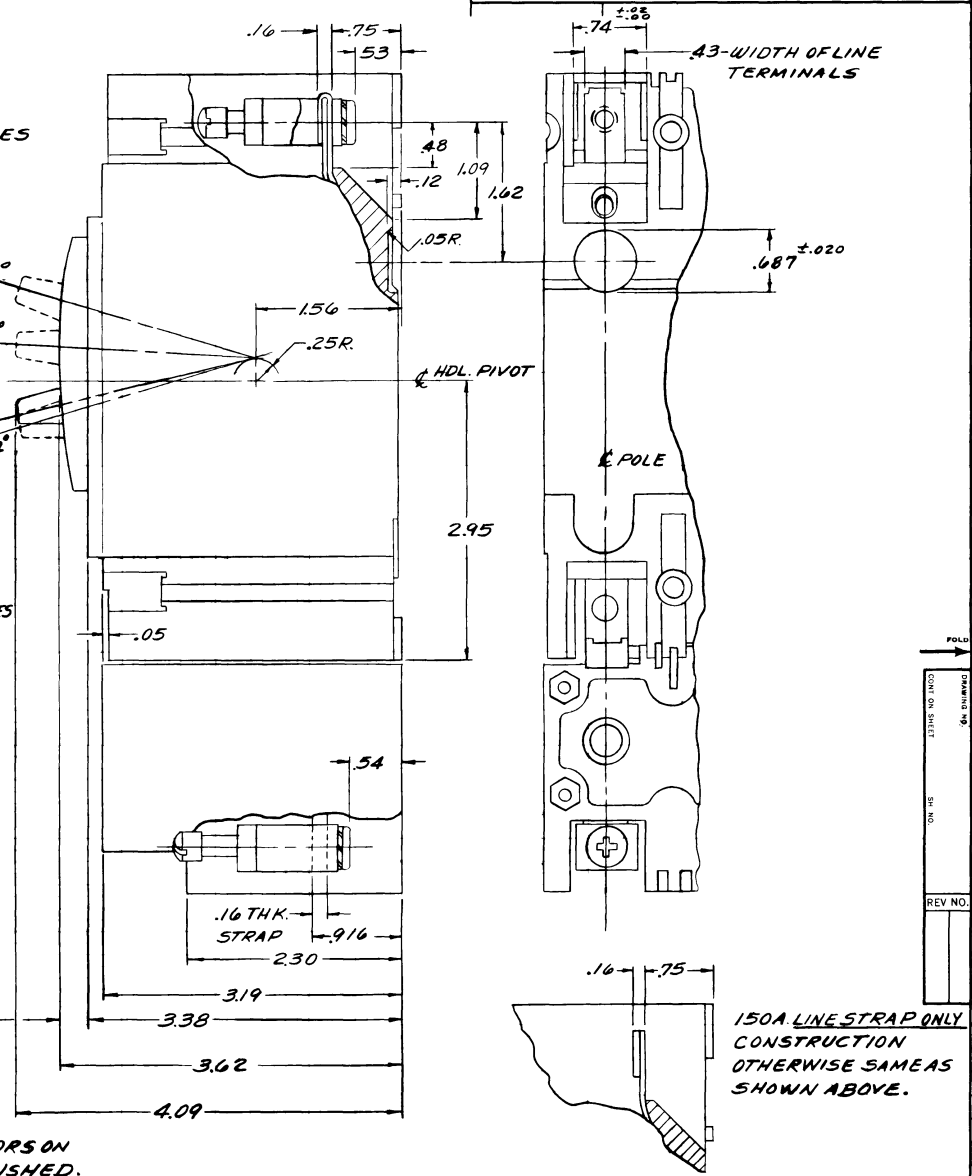
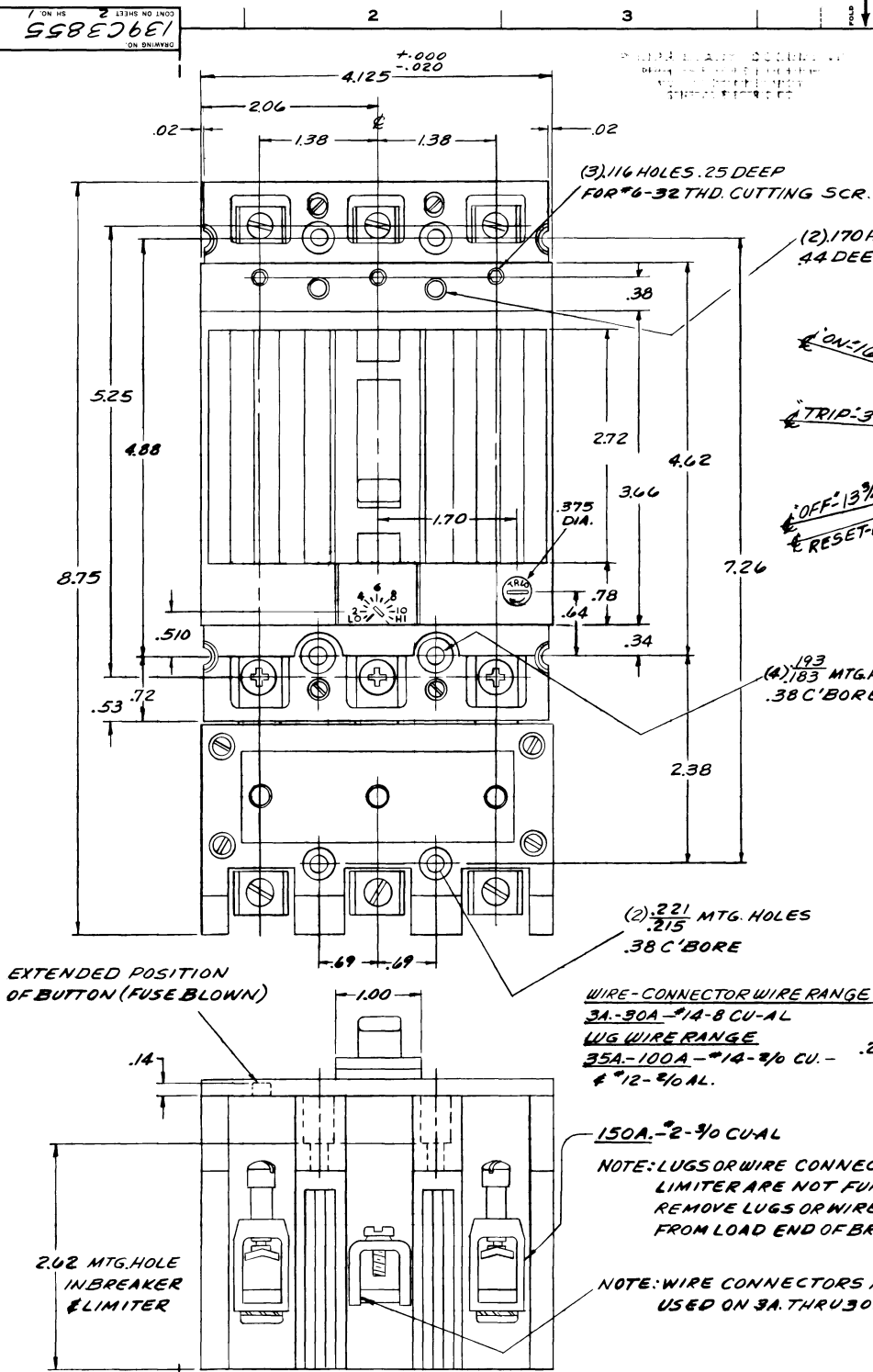


UNLESS OTHERWISE SPECIFIED USE THE FOLLOWING—			
APPLIED PRACTICES	SURFACES	TOLERANCES ON MACHINED DIMENSIONS	
		FINISHES	ANGLES
		RFI Dec. ±.02	RPL Dec. ±.005

TITLE OUTLINE
TECL CIRCUIT BREAKER
TECL ACCESSORY HIGH FAULT PROTECTOR
FIRST MADE FOR

A
B
C
D
E

POLE
POLE
POLE



POLE
CONT. ON SHEET 2
REV. NO.

139C3855
 558306E1
 (ON THE REVERSE)

2

3

4

5

GENERAL ELECTRIC

139C3855

CONT. ON SHEET 3 SH. NO. 2

APPLIED PRACTICES	SURFACES	TOLERANCES ON MACHINED DIMENSIONS	
	✓	2 PLACE DEC.	3 PLACE DEC.
		± .02	± .005
FOR ADDITIONAL INFO REFER TO	UNLESS SHOWN ON INDIVIDUAL DIMENSIONS TOLERANCES IN THIS BLOCK APPLY		

TITLE **OUTLINE**
TEC LTEDL ACCESSORY
HIGH FAULT PROTECTOR
 FIRST MADE FOR TEC #TED 418

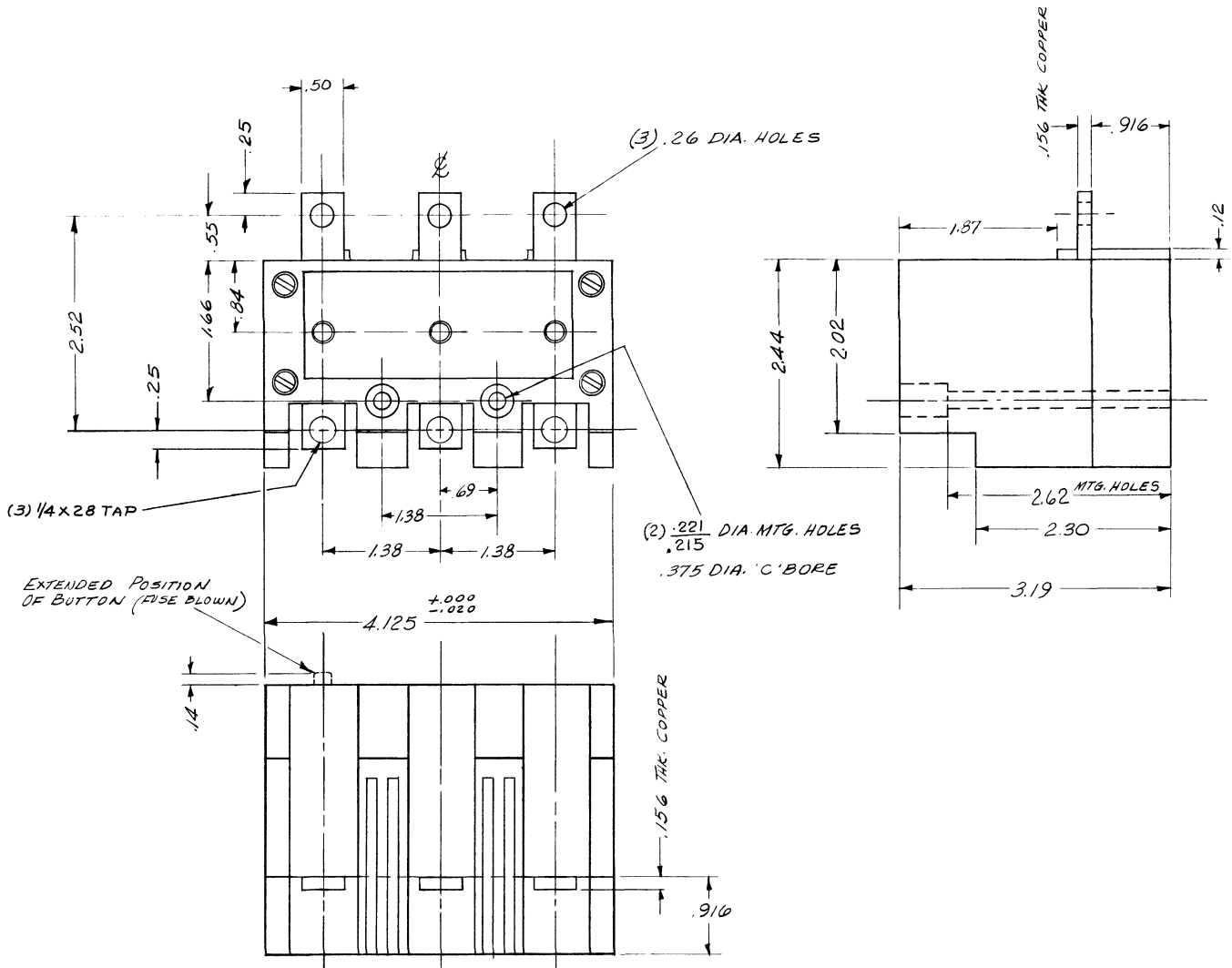
A

B

C

D

E



WIRE CONNECTOR WIRE RANGE

3A-30A. #14-8 CU-AL

LUG WIRE RANGE

35A-100A. #14 To 2/0 CU & #12 To 2/0 AL

150A. #2 To 3/0 CU-AL

NOTE: LUGS OR WIRE CONNECTORS ON LIMITER NOT FURNISHED. REMOVE LUGS OR WIRE CONNECTORS FROM LOAD END OF BREAKER FOR LIMITER.

REV. NO. 042

1

2

3

4

5

6