

NOMINAL HANDLE OPERATING FORCES (LBS)	
ON TO OFF	6.5
TRIP TO RESET	7.5
OFF TO ON	2.2

WIRE CONNECTOR	USED ON	WIRE RANGE		LOAD END LUG TORQUE TO WIRE	LINE END MOUNTING SCREW TORQUE
		CU	AL		
A (SADDLE CLAMP)	15A - 20A	#12 - #14	#10 - #12	#10, 12, 14 - 35LB - IN	25 - 32LB - IN
B (LUG)	30A - 60A	#10 - #6	#8 - #4	#10 - 35LB - IN #8 - 40LB - IN #6, #4 - 45LB - IN	
	70A - 100A	#4 - #1	#2 - I/O	#4 - I/O - 45LB - IN	

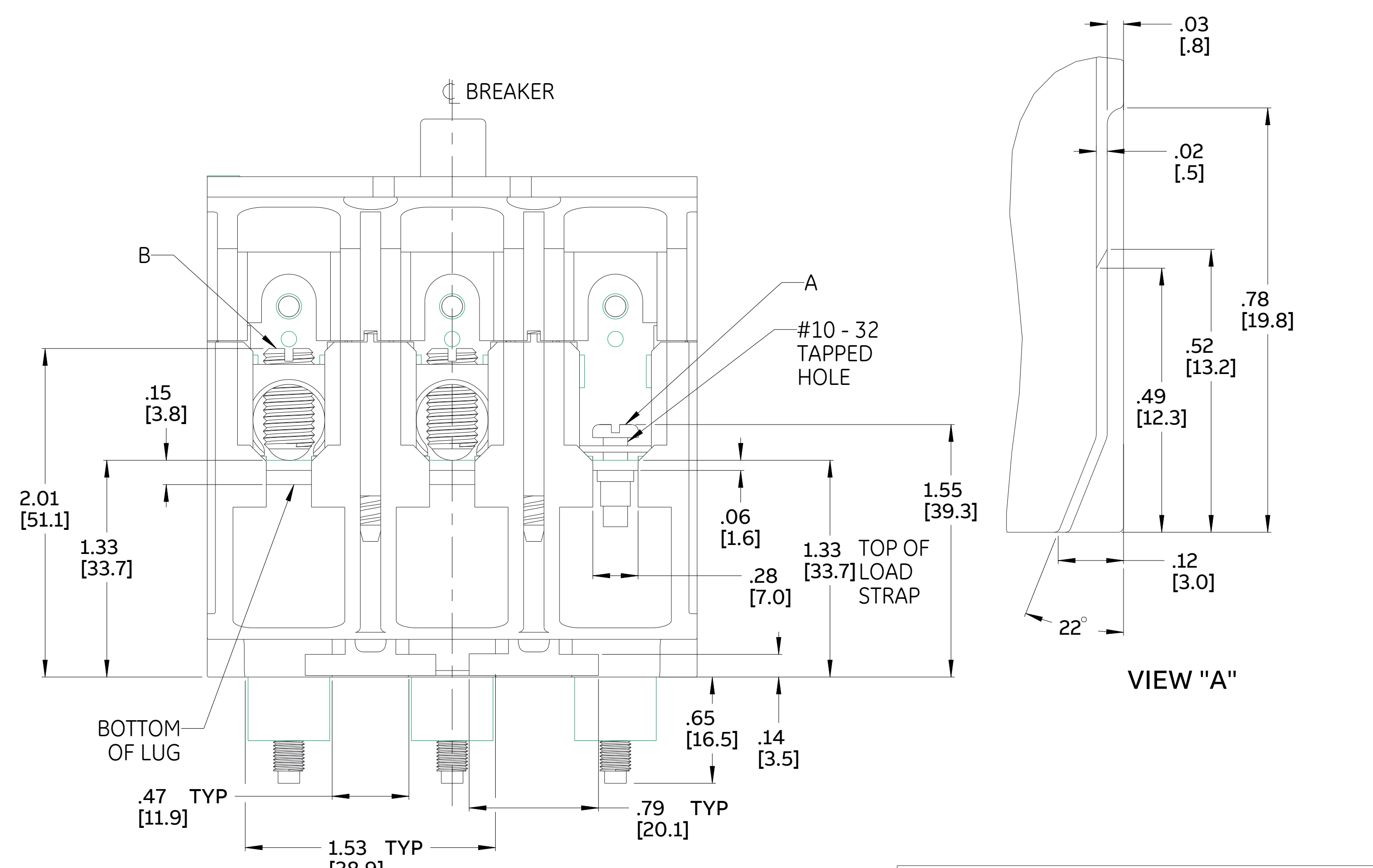
NOTE: 1. TEY BREAKER IS SUITABLE FOR REVERSE FEEDING, NO LINE AND LOAD MARKING.
 2. TEYF BREAKER IS NOT SUITABLE FOR REVERSE FEEDING, LINE AND LOAD MARKING WILL APPEAR.
 3. THIS LABEL AND MARKING ON TEYF BREAKER ONLY.

REPLACE WITH TYPE 'TEYF' ONLY

NOTE 3

NOTE 1, 2

NOTE 1, 2



VIEW "A"

DUAL DIMENSIONS - INCHES [MILLIMETERS]

THIRD ANGLE SHEET# 1 of 1

Industrial Solutions by ABB

OUTLINE DRAWING-CIRCUIT BREAKER
TEY, TEYF - 3 POLE

DWG NO.	DATE	REV
139C5696SH3	10/19	7