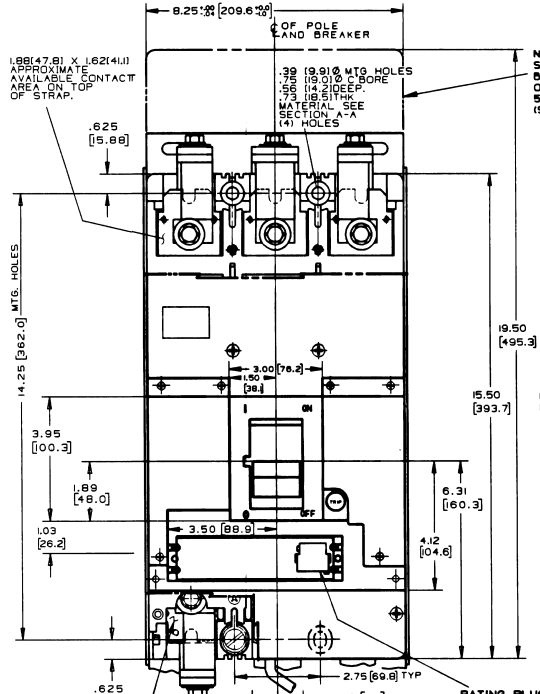
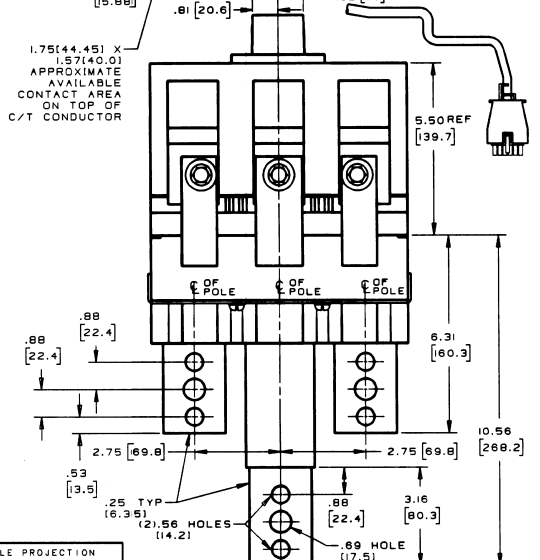
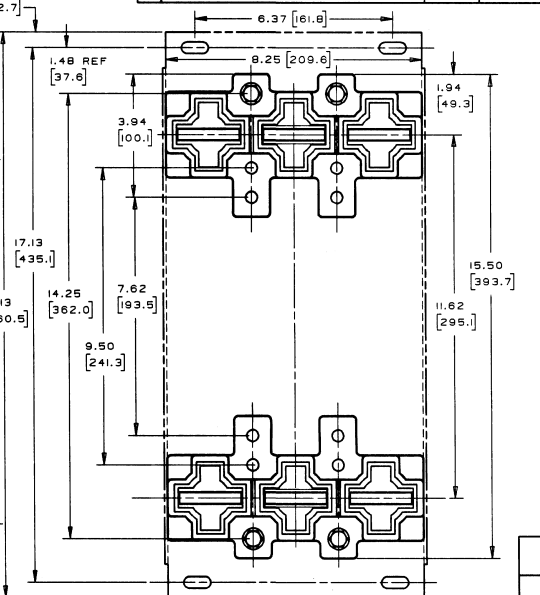
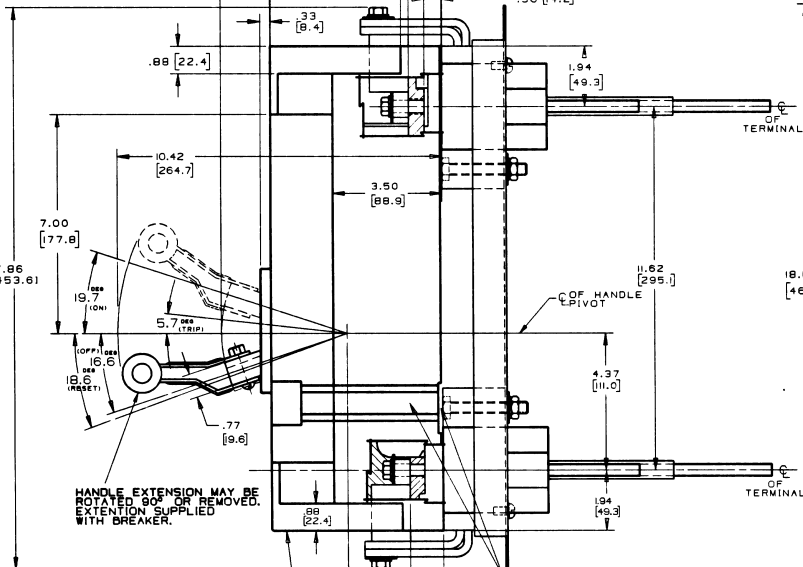


REV. 18BD1678			
REVISIONS			
REV	DESCRIPTION	DATE	APPROVED
1	94DL009	8-15-94	RJM



NOTE: EXTENDED LUG COVER REQUIRED AND SUPPLIED WITH 100KA & 480V BREAKER (SKPHAS) END ONLY. OPTIONAL FOR 65KA AND 50KA & 480V BREAKERS (SKHA,SKLA) ORDER CAT NO SKPSHLD.



HANDLE EXTENSION MAY BE ROTATED 90° OR REMOVED. EXTENSION SUPPLIED WITH BREAKER.

LUG COVER USED ON BOTH ENDS. SEE NOTE "B"

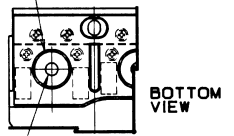
ACCESSORY WIRING CHANNEL TYPICAL BOTH SIDES AND REAR

	WITHOUT EXTENSION	WITH EXTENSION
ON TO OFF	40	20
TRIP TO RESET	78	39
OFF TO ON	88	44

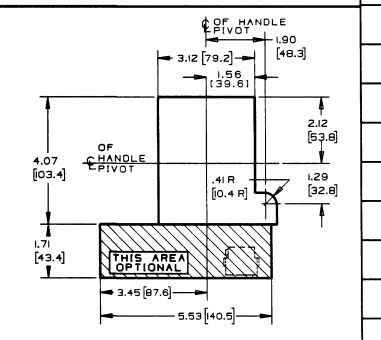
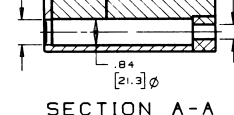
NOTE "A"- DIMENSIONS IN BRACKETS [] ARE IN MILLIMETERS. Ø DENOTES DIAMETER.

100K RATED CONTINUOUS OPERATION MINIMUM ENCLOSURE DIMENSIONS OF 27" LONG X 13" WIDE X 9" DEEP MINIMUM 8" (UNINSULATED) SPACING FROM LINE END TO DEAD METAL

1/2 (28.4) MAX Ø AVAILABLE CONTACT AREA FOR BOTTOM CONNECTION (BOTH ENDS)



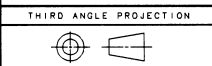
LUG COVER KNOCK OUT .81 (20.6) Ø



NOTE: RECOMMENDED FRONT COVER CUT-OUT .08 (1.51) CLEARANCE ALLOWED ALL AROUND.

FOR ADDITIONAL INFO REFER TO APPLICABLE SPECIFICATIONS UNLESS OTHERWISE SPECIFIED	SIGNATURES	DATE	 PLAINVILLE, CONN.
DIMENSIONS ARE IN INCHES TOLERANCES ON: 2 PL. DECIMALS ± 3 PL. DECIMALS ± FRACTIONS ±	DRAWN DEPIETRO	4-27-94	
	ENG'D		
	ISSUED		
	TITLE		SPECTRA™ BUS C/B WITH MNT PLUS & PM TRIP UNITS 1SD
			ASM BREAKER & BOLT-ON BASE (100K)
			FIRST MADE FOR SKHA, SKLA, SKPA 1200A ONLY
DRAWING FILE	SIZE	CAGE CODE	DWG NO
	D		168D1678
MODEL FILE	SCALE		

GE (USA) CONFIDENTIAL AND PROPRIETARY
This GE document contains confidential and proprietary information of GE Electric Distribution & Control (ED&C). It is issued on condition that it and the information therein shall not be used by recipient nor be disclosed to others except as expressly approved by ED&C. Any document containing such information shall be returned on request.



DRAWING NO. 168D1678