



Manufactured 4/86 to Present

169kV/40kA GCB

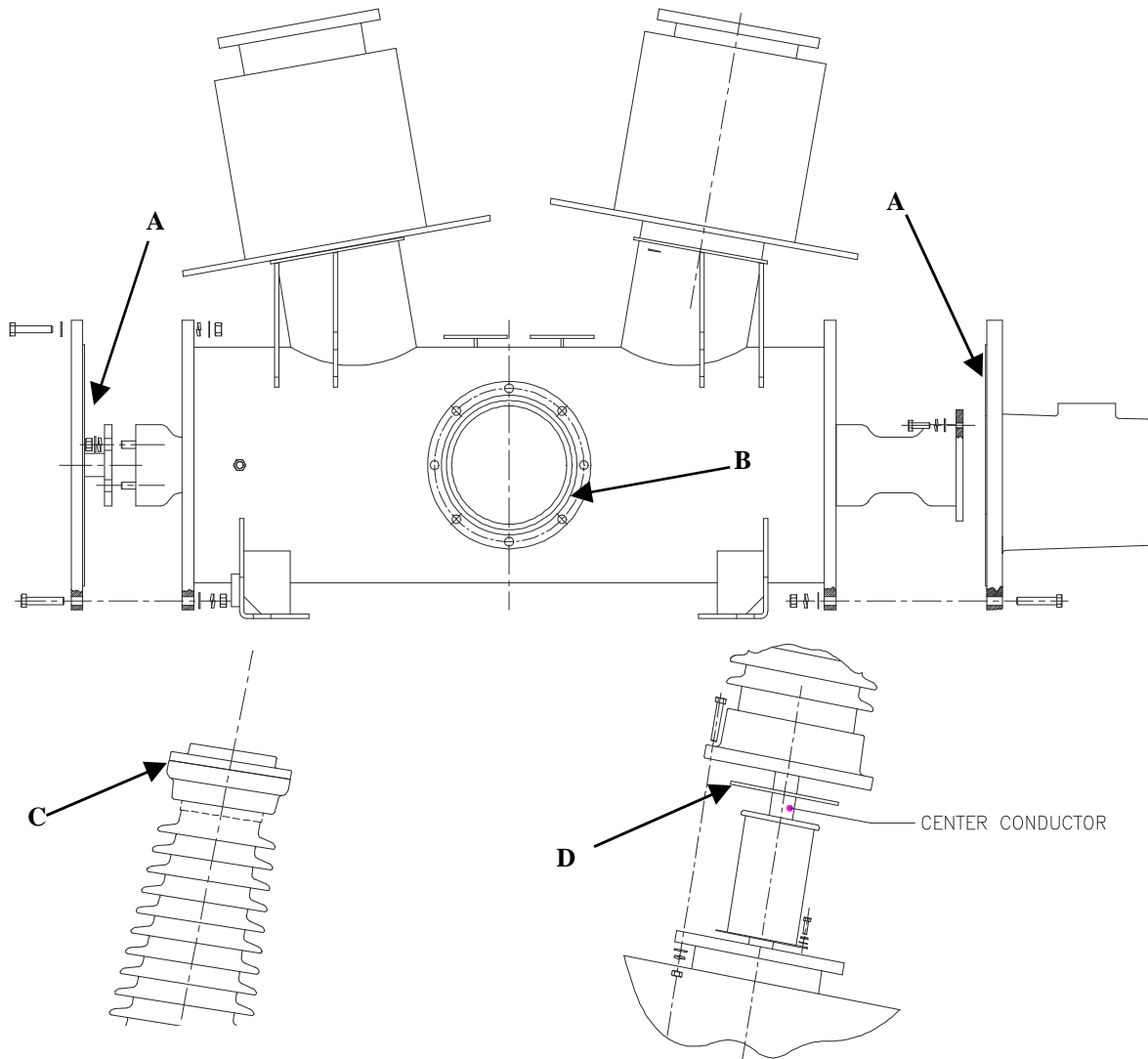
SECTION CONTENTS

169 kV

◆ Gas Tank Gasket Kit.....	21 & 22
◆ Desiccant Kit.....	23
◆ Interrupter Repair Kit.....	24
◆ Rotating Seal Kit.....	25
◆ Pilot/Charging Valve Kit.....	26
◆ Dashpot Gasket Kit.....	27
◆ Main Valve Kit.....	28

169 kV

Tank Gasket Kit

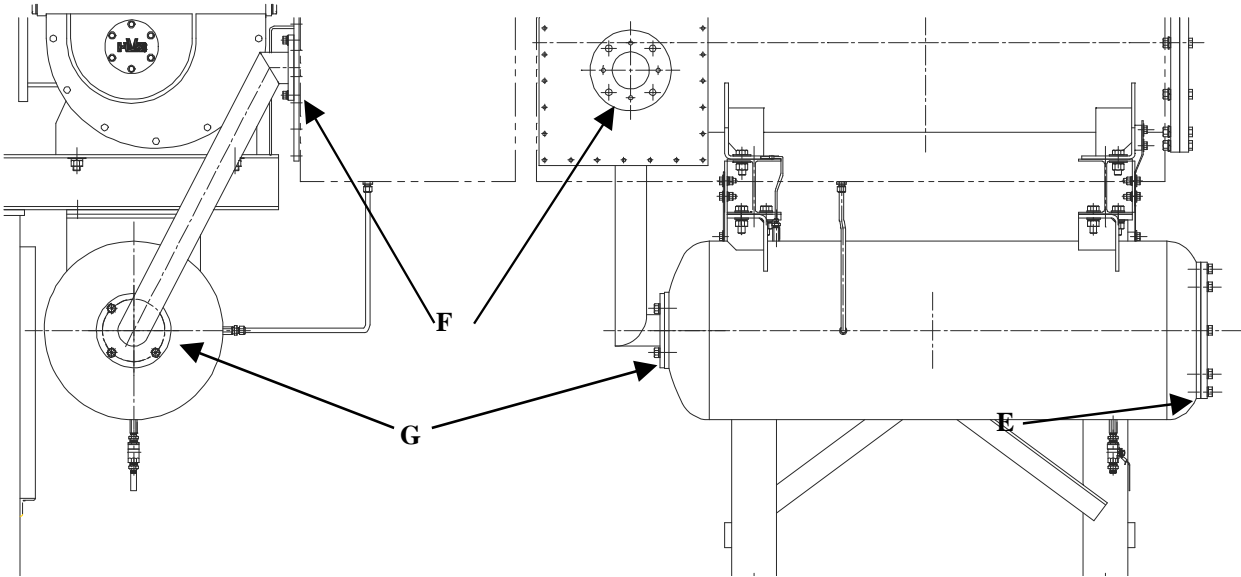


TANK GASKET KIT (1 POLE), 63-3001-01 (SHIPPED AFTER 2/90)

ITEM	QTY	HVB PART NUMBER	DESCRIPTION
A	2	01-0068-00	O-RING - MECHANISM PORT
B	1	01-0049-00	O-RING - INSPECTION PORT
C	2	01-1023-01	GASKET - BUSHING UPPER END
D	2	01-1007-00	GASKET - BUSHING LOWER END

TANK GASKET KIT 1 POLE), 63-3001-00 (SHIPPED BEFORE 2/90)

ITEM	QTY	HVB PART NUMBER	DESCRIPTION
A	2	01-0068-00	O-RING - MECHANISM PORT
B	1	01-0049-00	O-RING - INSPECTION PORT
C	2	01-1023-01	GASKET - BUSHING UPPER END
D	2	01-1007-00	GASKET - BUSHING LOWER END
	2	01-0069-00	O-RING - DRAIN VALVE FLANGE
	1	01-0050-00	O-RING - GAS VALVE FLANGE
	1	01-0061-00	O-RING - GAS VALVE FLANGE



AIR TANK OPTIONS (SHIPPED AFTER 10/89)

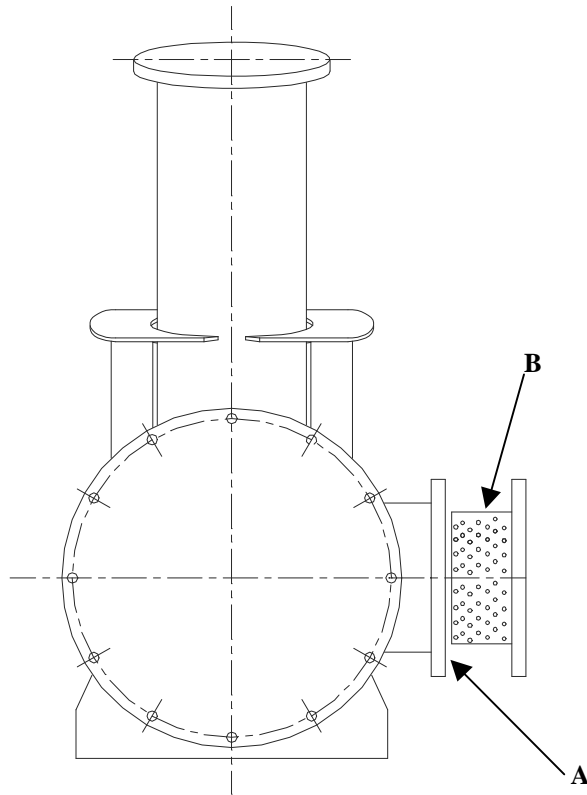
ITEM	QTY	HVB PART NUMBER	DESCRIPTION
E	1	01-0012-00	O-RING - AIR RECEIVER END
F	1	01-0009-00	O-RING - AIR PIPE
G	1	01-0011-00	O-RING - AIR PIPE

AIR TANK OPTIONS (SHIPPED BEFORE 10/89)

ITEM	QTY	HVB PART NUMBER	DESCRIPTION
E	1	01-0055-00	O-RING - AIR RECEIVER END
F	1	01-0028-00	O-RING - AIR PIPE
G	1	01-0030-00	O-RING - AIR PIPE

169 kV

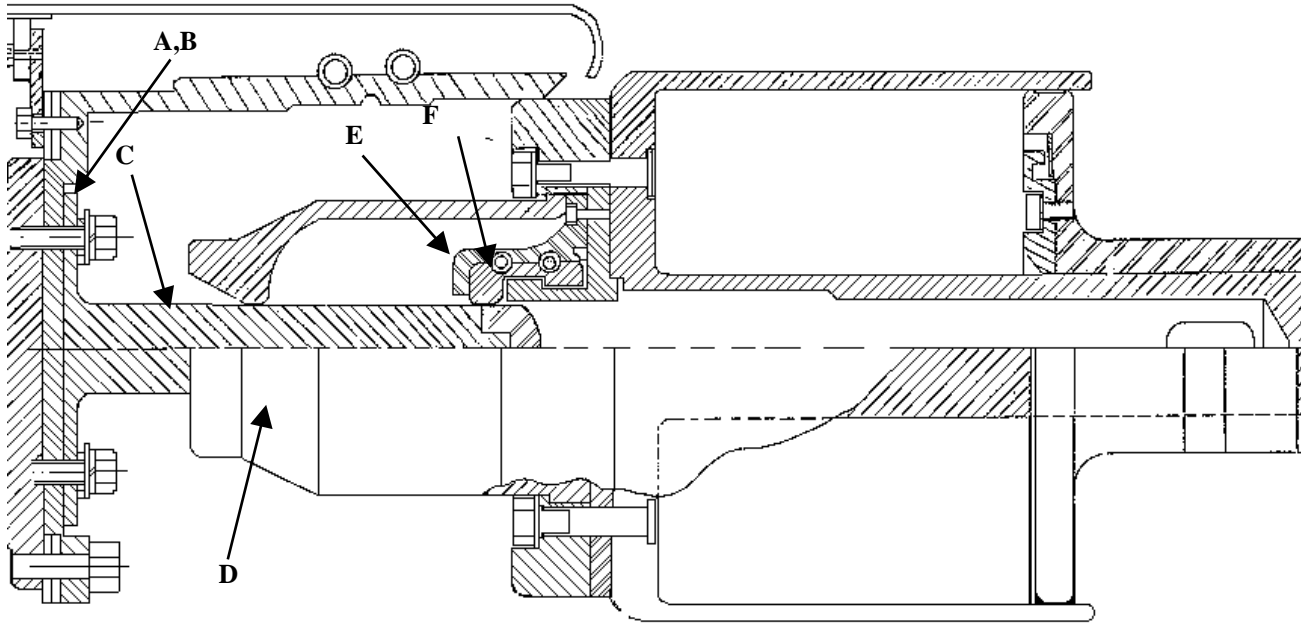
Desiccant Kit



DESICCANT KIT (3 POLES), 63-3002-00

ITEM	QTY	HVB PART NUMBER	DESCRIPTION
A	3	01-0049-00	O-RING - INSPECTION PORT
B	6	05-0091-00	DESICCANT (2.5LB BAGS)

Interrupter Repair Kit

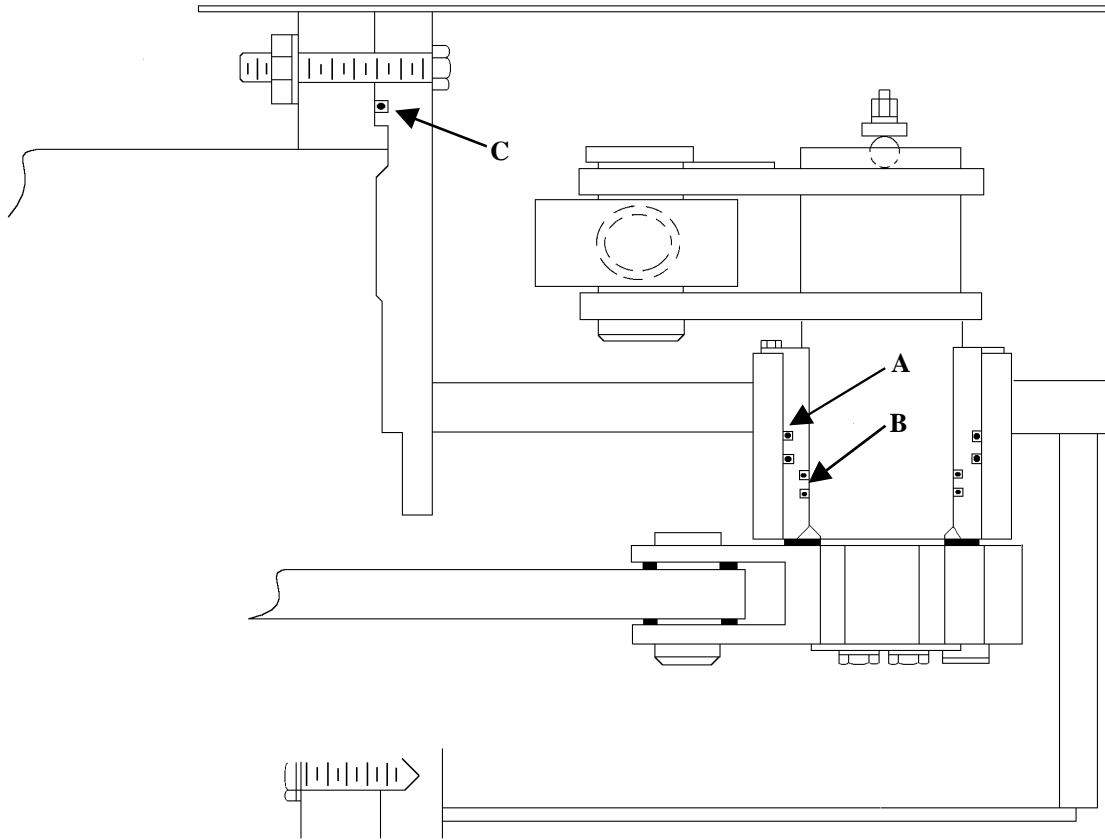


INTERRUPTER REPAIR KIT (1 POLE), 63-3003-00

ITEM	QTY	HVB PART NUMBER	DESCRIPTION
A	2	23-3003-00	SHIM 0.0315"
B	2	23-3004-00	SHIM 0.079"
C	1	23-3000-00	STATIONARY CONTACT
D	1	23-3002-00	TEFLON NOZZLE
E	1	23-1002-00	TEFLON COVER
F	1	23-3001-00	MOVING CONTACT

Rotating Seal Kit

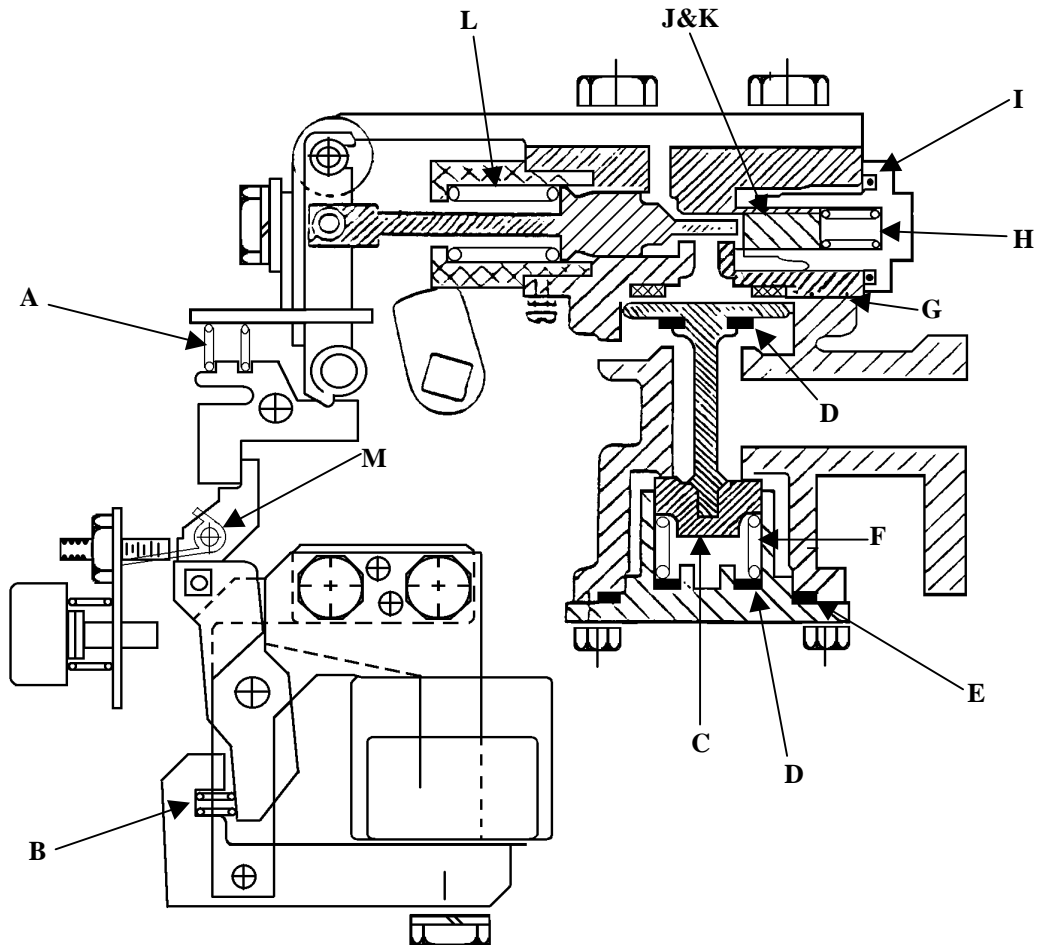
169 kV



ROTATING SEAL KIT (1 POLE), 63-3000-01

ITEM	QTY	HVB PART NUMBER	DESCRIPTION
A	2	01-0039-00	O-RING
B	2	01-0072-00	O-RING
C	1	01-0068-00	O-RING - MECHANISM PORT
D	1	01-1007-00	GASKET – BUSHING LOWER END (Not Pictured)

Pilot/Charging Valve Kit



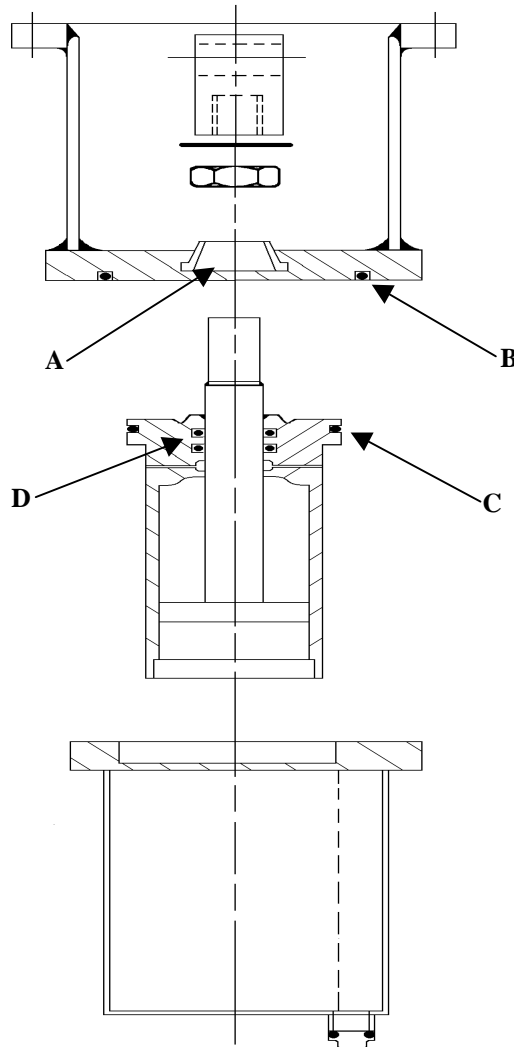
169 kV

PILOT/CHARGING VALVE KIT, 63-1000-00

ITEM	QTY	HVB PART NUMBER	DESCRIPTION
A	1	25-4005-00	SPRING
B	2	25-4006-00	SPRING
C	1	25-1000-00	TEFLON VALVE
D	2	01-3001-00	CUSHION
E	1	01-1042-00	GASKET
F	1	25-1002-00	SPRING
G	1	01-0040-00	O-RING
H	1	25-4007-00	SPRING
I	1	01-0046-00	O-RING
J	1	25-4000-00	TEFLON VALVE
K	1	25-1001-01	PIN FOR TEFLON VALVE
L	1	25-4008-00	SPRING
M	1	25-4014-00	SPRING
N	1	01-0046-00	O-RING- AIR PIPE (NOT SHOWN)
O	1	01-0035-00	O-RING- AIR PIPE (NOT SHOWN)

Dashpot Gasket Kit

169 kV

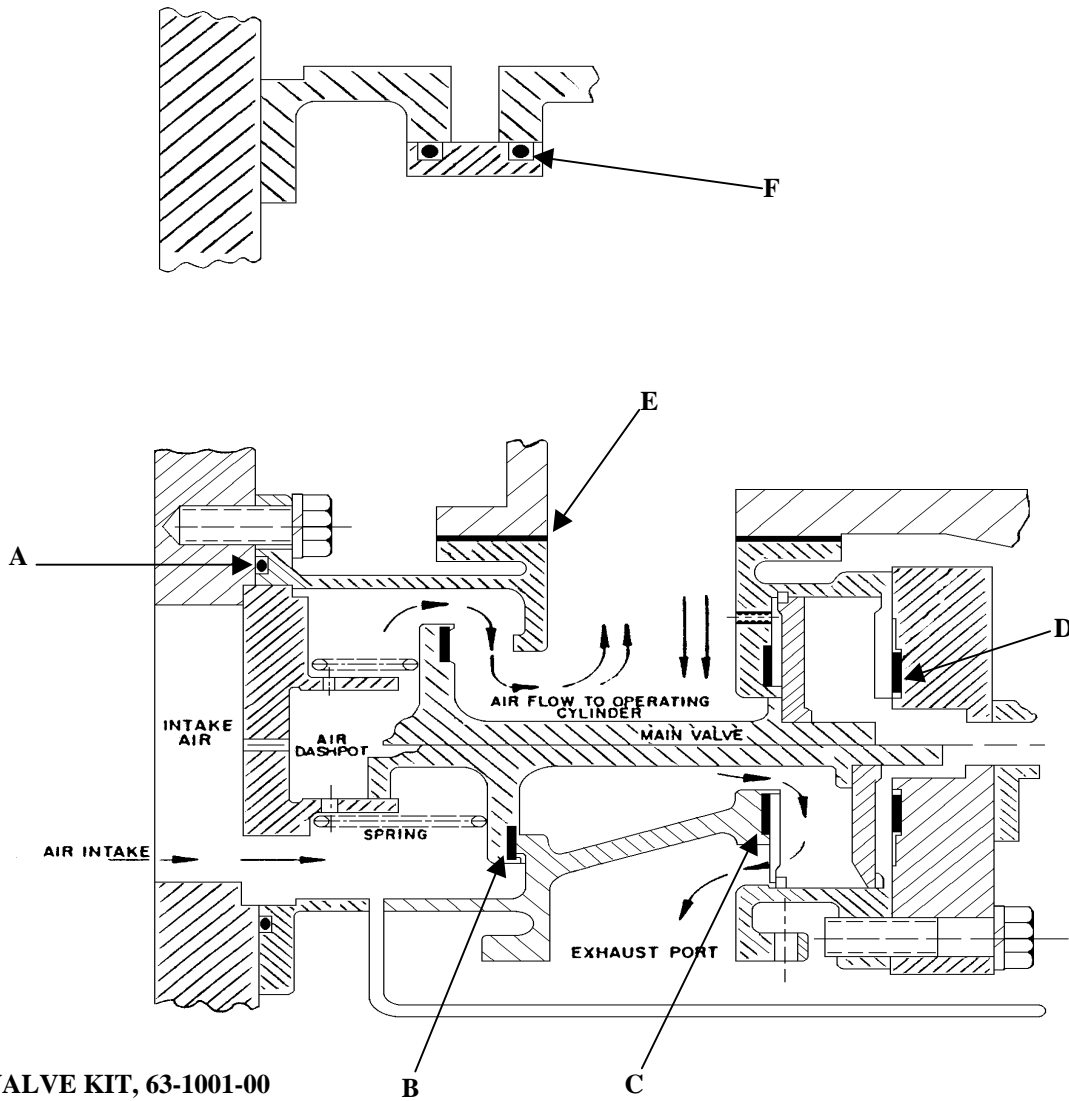


DASHPOT GASKET KIT, 63-1003-00

ITEM	QTY	HVB PART NUMBER	DESCRIPTION
A	1	23-4005-00	DUST SEAL
B	1	01-0029-00	O-RING
C	1	01-0027-00	O-RING
D	2	01-0052-00	O-RING

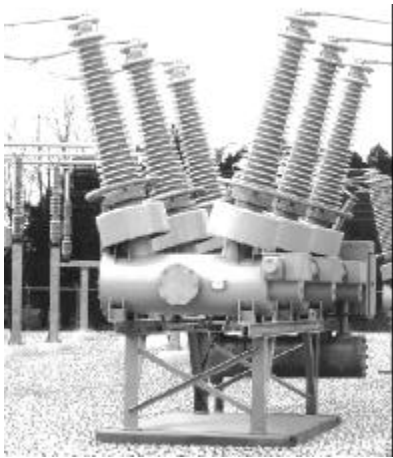
Main Valve Kit

169 kV



MAIN VALVE KIT, 63-1001-00

ITEM	QTY	HVB PART No.	DESCRIPTION
A	1	01-0041-00	O-RING
B	1	01-1032-00	GASKET
C	1	23-1004-00	CUSHION
D	1	01-3002-00	CUSHION
E	1	01-1051-00	GASKET
F	1	01-0035-00	O-RING



Manufactured 1/86 to 11/87

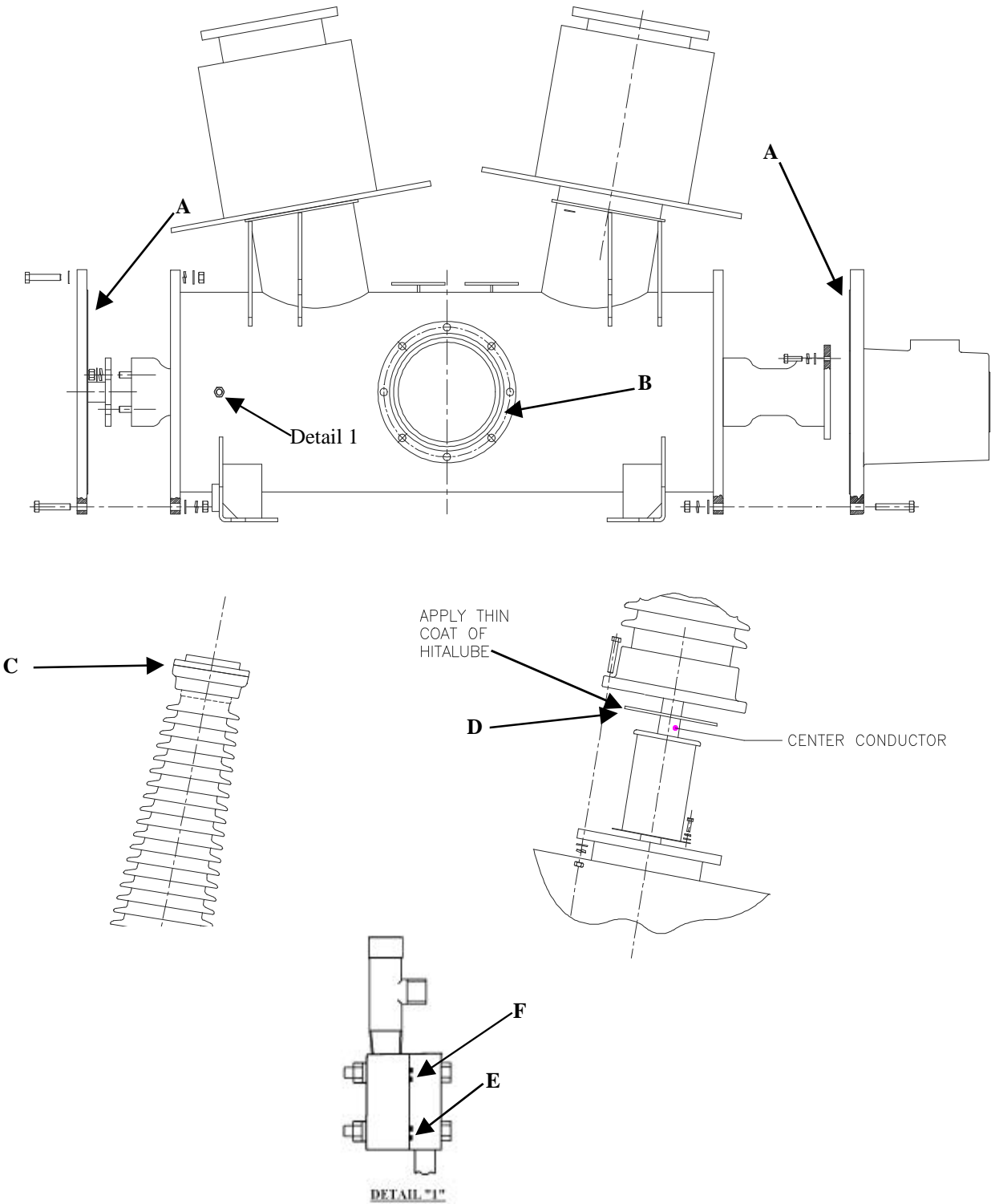
169kV/50kA GCB

SECTION CONTENTS

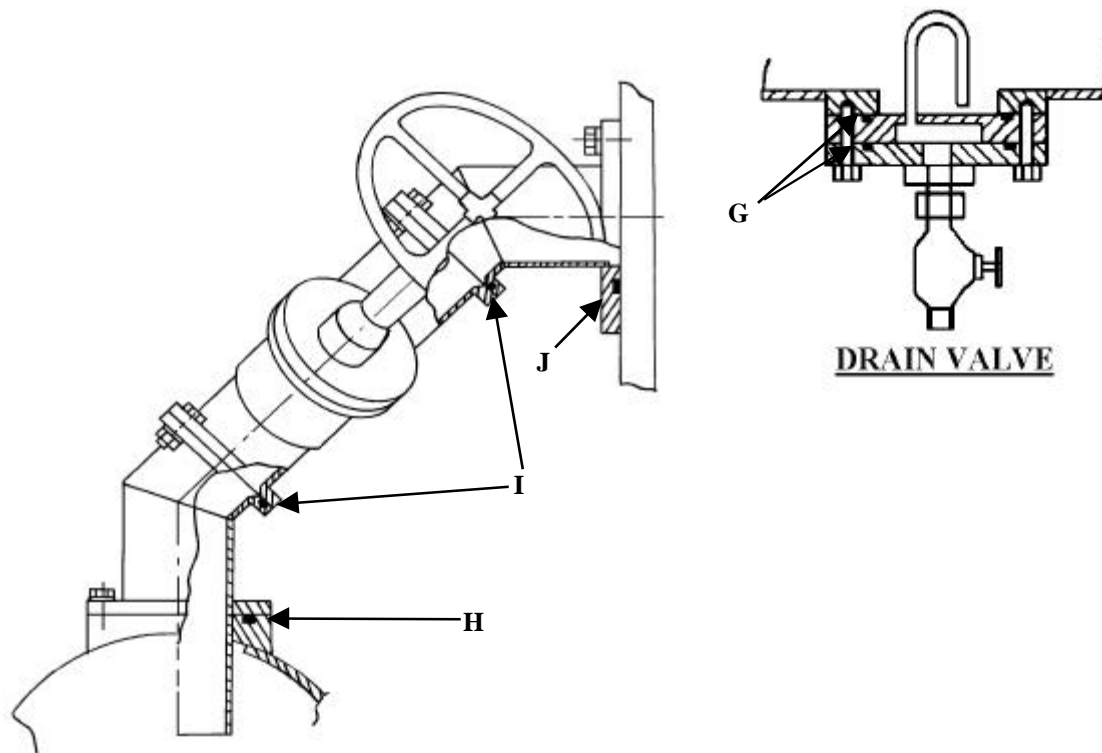
169 kV

- ◆ Gas Tank Gasket Kit..... 30 & 31
- ◆ Desiccant Kit..... 32
- ◆ Interrupter Repair Kit..... 33
- ◆ Rotating Seal Kit..... 34
- ◆ Pilot/Charging Valve Kit..... 35
- ◆ Dashpot Gasket Kit..... 36
- ◆ Main Valve Kit..... 37

Tank Gasket Kit



169 kV



TANK GASKET KIT (1 POLE), 63-3007-00

ITEM	QTY	HVB PART NUMBER	DESCRIPTION
A	2	01-0071-00	O-RING - MECHANISM PORT
B	1	01-0062-00	O-RING - INSPECTION PORT
C	2	01-1023-01	GASKET-BUSHING UPPER END
D	2	01-1007-00	GASKET - BUSHING LOWER END
E	1	01-0050-00	O-RING GAS VALVE FLANGE
F	1	01-0061-00	O-RING GAS VALVE FLANGE
G	2	01-0069-00	O-RING DRAIN VALVE FLANGE

AIR TANK OPTIONS (SHIPPED BEFORE 1/87)

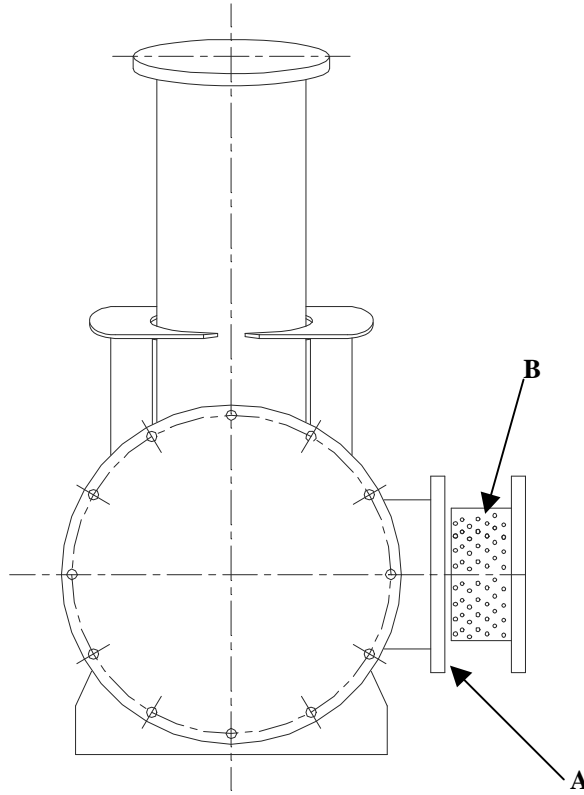
ITEM	QTY	HVB PART NUMBER	DESCRIPTION
	1	01-0059-00	O-RING AIR RECEIVER END
H	2	01-0030-00	O-RING AIR RECEIVER END
I	2	01-0028-00	O-RING AIR PIPE

AIR TANK OPTIONS (SHIPPED BETWEEN 1/87-10/89)

ITEM	QTY	HVB PART NUMBER	DESCRIPTION
H	1	01-0030-00	O-RING AIR RECEIVER END
I	2	01-0028-00	O-RING AIR PIPE
J	1	01-0030-00	O-RING AIR PIPE

Desiccant Kit

169 kV

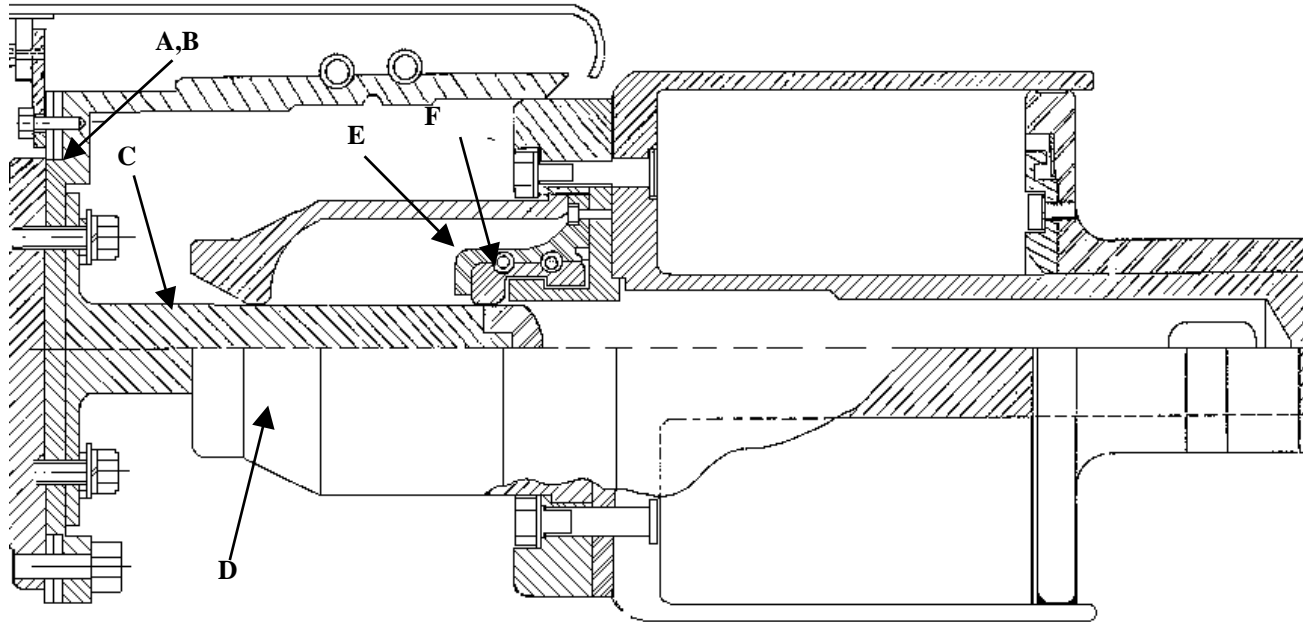


DESICCANT KIT (3 POLES), 63-1017-00

ITEM	QTY	HVB PART NUMBER	DESCRIPTION
A	3	01-0062-00	O-RING INSPECTION PORT
B	6	05-0091-00	DESICCANT (2.5LB BAGS)

Interrupter Repair Kit

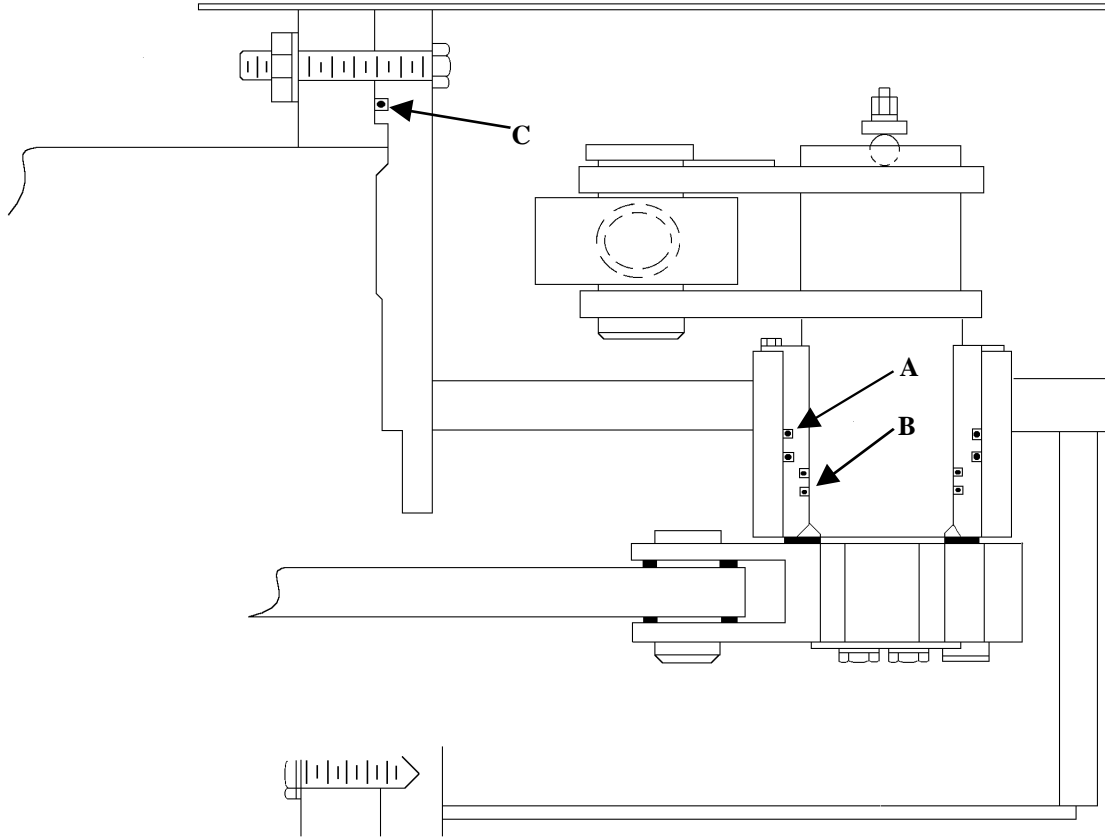
169 kV



INTERRUPTER REPAIR KIT (1 POLE), 63-1011-00

ITEM	QTY	HVB PART NUMBER	DESCRIPTION
A	2	23-1033-00	SHIM 0.02"
B	2	23-1032-00	SHIM 0.079"
C	1	23-1031-00	STATIONARY CONTACT
D	1	23-1030-00	TEFLON NOZZLE
E	1	23-4002-00	TEFLON COVER
F	1	23-4026-00	MOVING ARCING CONTACT SEGMENTS

Rotating Seal Kit



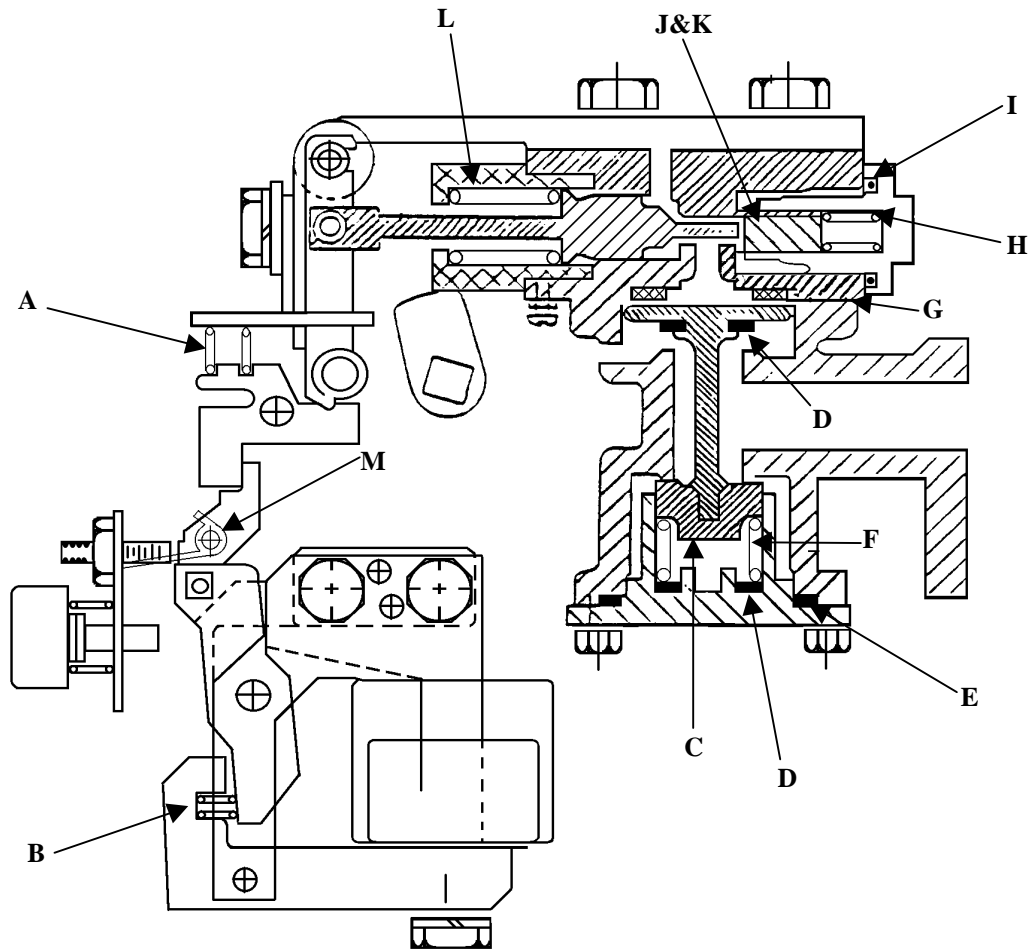
169 kV

ROTATING SEAL KIT, 63-3000-00

ITEM	QTY	HVB PART NUMBER	DESCRIPTION
A	2	01-0039-00	O-RING
B	2	01-0072-00	O-RING
C	1	01-0071-00	O-RING
D	1	01-1007-00	GASKET – BUSHING LOWER END (Not Pictured)

Pilot/Charging Valve Kit

169 kV

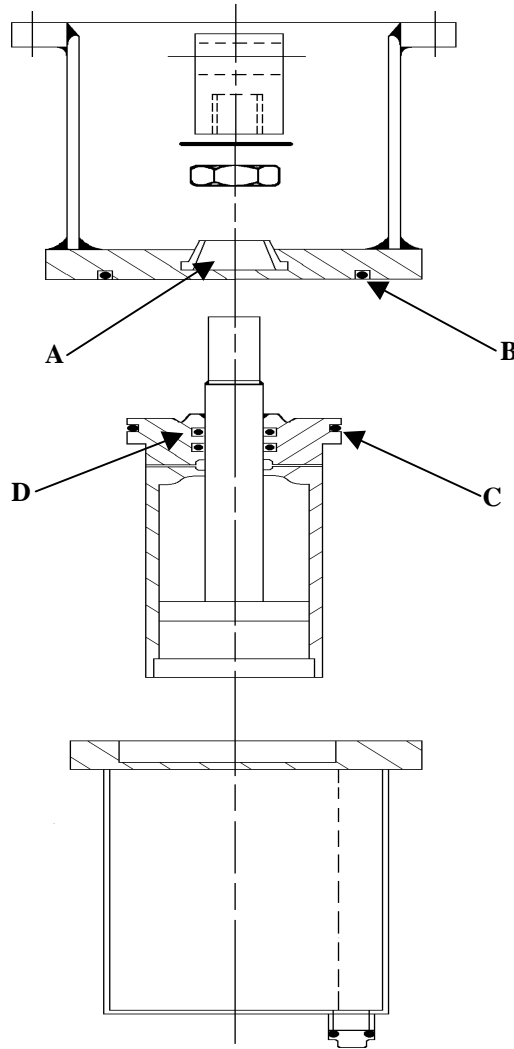


PILOT/CHARGING VALVE KIT, 63-1000-00

ITEM	QTY	HVB PART NUMBER	DESCRIPTION
A	1	25-4005-00	SPRING
B	2	25-4006-00	SPRING
C	1	25-1000-00	TEFLON VALVE
D	2	01-3001-00	CUSHION
E	1	01-1042-00	GASKET
F	1	25-1002-00	SPRING
G	1	01-0040-00	O-RING
H	1	25-4007-00	SPRING
I	1	01-0046-00	O-RING
J	1	25-4000-00	TEFLON VALVE
K	1	25-1001-01	PIN FOR TEFLON VALVE
L	1	25-4008-00	SPRING
M	1	25-4014-00	SPRING
N	1	01-0046-00	O-RING- AIR PIPE (NOT SHOWN)
O	1	01-0035-00	O-RING- AIR PIPE (NOT SHOWN)

Dashpot Gasket Kit

169 kV

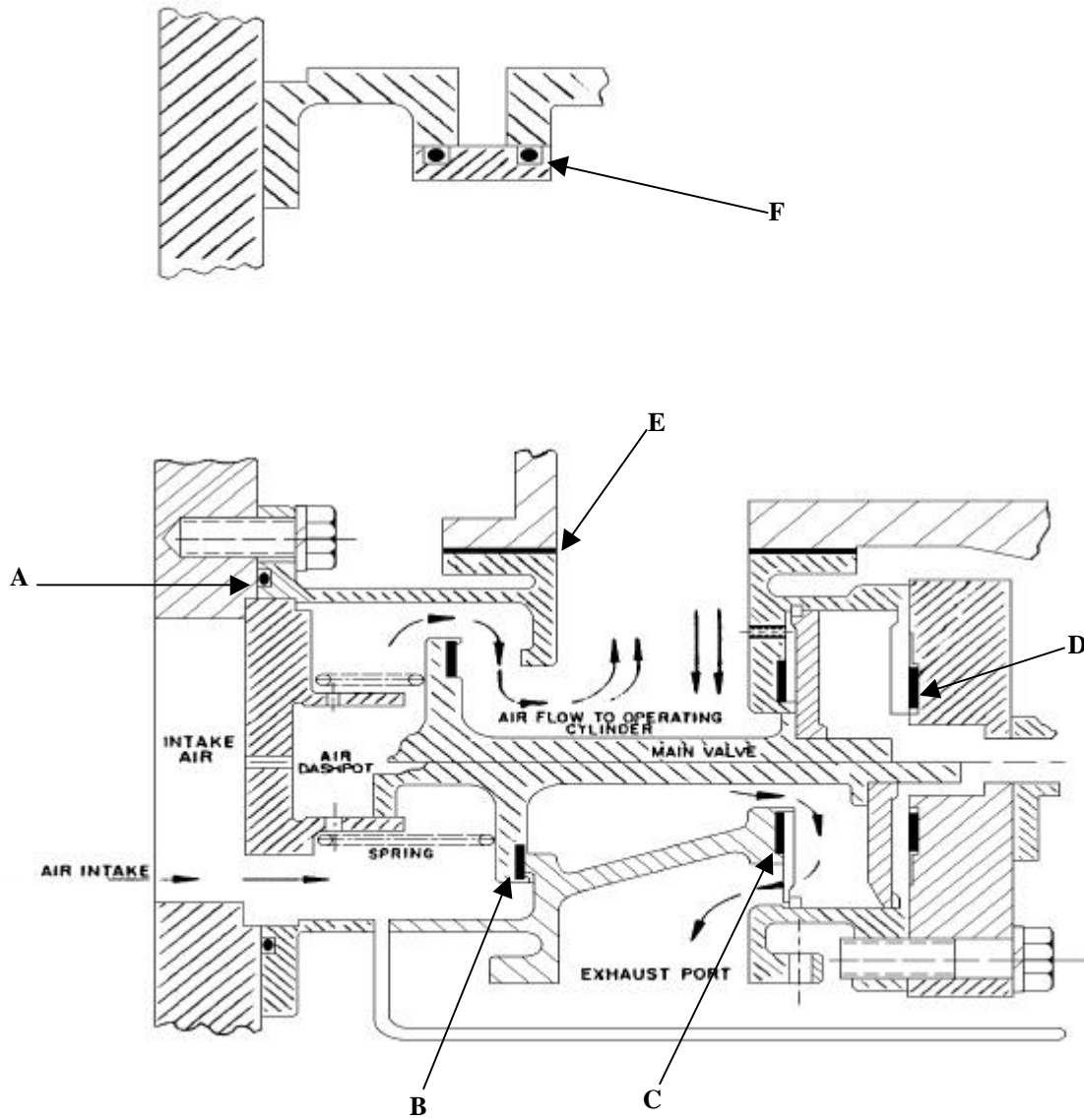


DASPOT GASKET KIT, 63-1014-00

ITEM	QTY	HVB PART NUMBER	DESCRIPTION
A	1	23-4005-00	DUST SEAL
B	1	01-0029-00	O-RING
C	1	01-0027-00	O-RING
D	2	01-0052-00	O-RING

169 kV

Main Valve Kit



MAIN VALVE KIT, 63-1015-00

ITEM	QTY	HVB PART NUMBER	DESCRIPTION
A	1	01-0031-00	O-RING
B	1	01-1045-00	GASKET
C	1	01-3000-00	CUSHION
D	1	01-3002-00	CUSHION
E	1	01-1041-00	GASKET
F	1	01-0035-00	O-RING