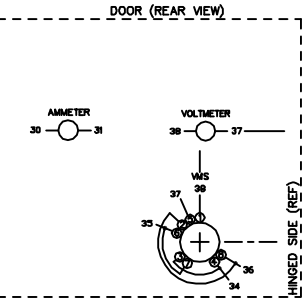


VOLTMETER SWITCH

CONTACTS	POSITION	OFF	1-2E	3-3
10-11	1	X	X	X
10-11	2	X	X	X
10-11	3	X	X	X
10-11	4	X	X	X
5-6	5	X	X	X
5-6	6	X	X	X
5-6	7	X	X	X
5-6	8	X	X	X



CONTROL WIRING
 LINE VOLTAGE CONTROL WIRING NSOKC41JA #14 BLACK
 CPT VOLTAGE CONTROL WIRING NSOKC41JC #14 RED
 NSOKC41JB #14 WHITE
 CPT GROUND WIRING NSOKC41JD #14 GREEN
 24V ASTAT-XT CONTROL WIRING NSOKC41JF #14 BLUE
 ASTAT-XT GROUND WIRING - COLOR GREEN
 VARIES BY RATINGS. REFER TO BILL OF MATERIAL POWER WIRING - COLOR BLACK
 VARIES BY RATINGS. REFER TO BILL OF MATERIAL

- NOTES**
- STOP COMMAND (TERMINAL 44), SOFT STOP COMMAND (TERMINAL 45), START (TERMINAL 46) SIGNALS SHOULD BE AVAILABLE AT LEAST 250MSEC TO BE ACKNOWLEDGED BY STARTER.
 - IF SOFT-STOP (TERMINAL 45) IS NOT REQUIRED, CONNECT A JUMPER BETWEEN TERMINAL 44 & TERMINAL 45.
 - TERMINAL 49 (COMMAND IS A REFERENCE FOR TERMINALS 4, 5, 6, 7, 8).
 - WHEN CONTROL SUPPLY & CONTROL INPUT VOLTAGE ARE FROM THE SAME SOURCE, CONNECT A JUMPER BETWEEN TERMINALS 38, 9.
 - MOTOR WILL START ONLY IF STOP (TERMINAL 44) & SOFT STOP (TERMINAL 45) ARE CONNECTED TO CONTROL INPUT VOLTAGE.
 - TO RESET A FAULT THE START COMMAND MUST BE REMOVED.
 - ASTAT-XT FAULT OUTPUT RELAY (TERMINAL 13, 14, 15) IS PROGRAMMED FOR FAULT FUNCTION.
 - USE TWISTED SHIELDED CABLE, CONNECT SHIELD TO GROUND.
 - LT1- INDICATING LIGHT, RED OR GREEN RUN LIGHT DEPENDING ON COLOR OF INDICATING LIGHT CALLED IN BOM.
 - THE "NC" CONTACT TERMINAL NUMBER 15 & 14 ON ASTAT-XT SOFT STARTER IS AVAILABLE FOR CUSTOMER USAGE.

FOR CSA-GND KIT,
 ORDER KIT NUMBER FROM THE FOLLOWING TABLE:

CONDUIT SIZE	KIT NUMBER
1/2-IN CONDUIT	55-2134036001
3/4-IN CONDUIT	55-2134036002
1-IN CONDUIT	55-2134036003
1 1/4-IN CONDUIT	55-2134036004
1 1/2-IN CONDUIT	55-2134036005
2-IN CONDUIT	55-2134036006
2 1/2-IN CONDUIT	55-2134036007
3-IN CONDUIT	55-2134036008

ADDITIONAL OVER-CURRENT PROTECTION MAY BE REQUIRED. REFER TO THE NATIONAL ELECTRICAL CODE OR LOCAL ELECTRICAL CODE AS REQUIRED.

USE 75°C COPPER CONDUCTORS ONLY FOR FIELD WIRING, EXCEPT AT TERMINALS WHICH ARE LABELLED WITH INSTRUCTIONS REGARDING THE PROPER INSTALLATION OF ALUMINIUM WIRE. REFER INSTALLATION INSTRUCTION SHEET FOR MORE DETAILS.

TORQUE LINE AND LOAD TERMINALS AS MARKED OR REFER INSTALLATION INSTRUCTIONS OR OPERATING MANUAL AS SHOWN.

NOMENCLATURE

MS	ISOLATION CONTACTOR
MB	BYPASS CONTACTOR
ASTAT-XT	SOFT STARTER
IL, BL, 3L	INDICATING LIGHT
EOR	END OF RAMP
CPT	CONTROL POWER TRANSFORMER
PFU	CPT PRIMARY FUSE
SFU	CPT SECONDARY FUSE
FDSC	FUSIBLE DISCONNECT
CTB1	CONTROL TERMINAL BOARD
DL	OVERLOAD RELAY
CR	CONTROL RELAY
SV1, SV2	SELECTOR SWITCH
CB	CIRCUIT BREAKER
FSBLK	FUSE BLOCK
PB	PUSH BUTTON
SNPR	SURGE SUPPRESSOR
AR	AUXILIARY RELAY
ETH	ELAPSED TIME METER
ET	ASTAT-XT TERMINAL FOR CONTROL WIRING
ET	ASTAT-XT TERMINAL FOR POWER WIRING
MB	TERMINAL BOARD
AM	AMMETER
VH	VOLTMETER
VHS	VOLTMETER SELECTOR SWITCH
PDB	POWER DISTRIBUTION BLOCK
NFU	METER FUSE UNIT
CCF1, CCF2	CONTROL CIRCUIT FUSE
CT	CURRENT TRANSFORMER
PD	CUSTOMER PILOT DEVICE WIRED TO CTB1
GND	GROUND
NFJSC	NON FUSIBLE DISCONNECT
◆	CUSTOMER SAFETY INTERLOCKS
HDA	HAND-OFF-AUTO
AIB	ASTAT-OFF-BYPASS
PTB1	POWER TERMINAL BOARD
TL	TOP/LEFT
BR	BOTTOM/RIGHT
CUST	CUSTOMER

LEGEND

—	CUSTOMER LOW LEVEL WIRING < 50V
—	CUSTOMER HIGH LEVEL WIRING > 50V THRU 125V
—	CUSTOMER POWER WIRING > 125V
□	DOOR MOUNTED COMPONENT
□	REMOTE MOUNTED COMPONENT
△	FACTORY WIRED JUMPER

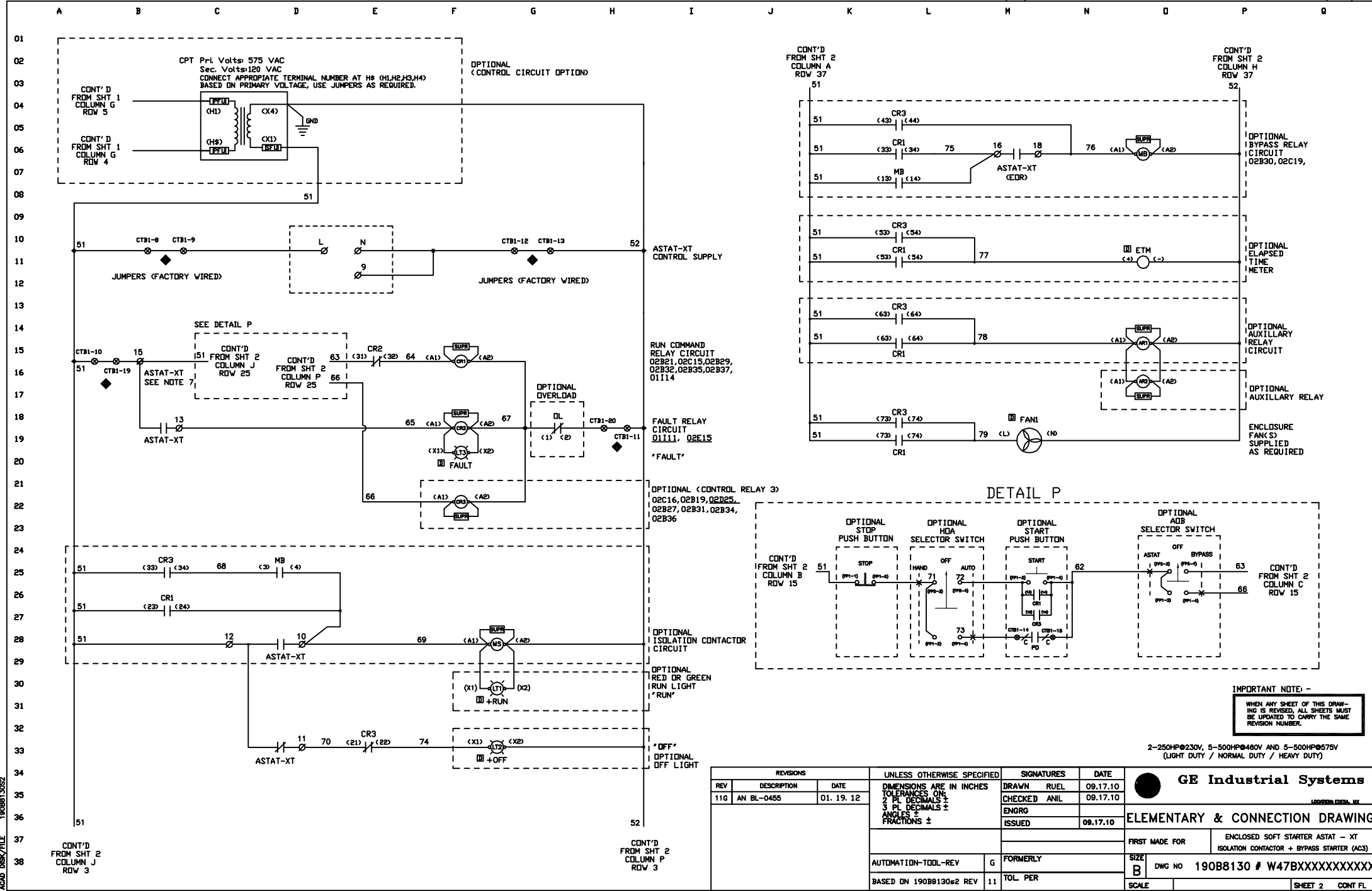
IMPORTANT NOTE:
 WHEN ANY SHEET OF THIS DRAWING IS REVISED, ALL SHEETS MUST BE UPDATED TO CARRY THE SAME REVISION NUMBER.

REVISIONS			UNLESS OTHERWISE SPECIFIED		SIGNATURES		DATE
REV	DESCRIPTION	DATE	DRAWN	RUEL	CHECKED	ANIL	09.17.10
11G	AN BL-0455	01.19.12	ENGRG		ISSUED		09.17.10

GE Industrial Systems

ELEMENTARY & CONNECTION DRAWING

FIRST MADE FOR	ENCLOSED SOFT STARTER ASTAT - XT ISOLATION CONTACTOR + BYPASS STARTER (AC3)
AUTOMATION-TOOL-REV	G FORMERLY
BASED ON	190B8130e1 REV 11
SCALE	SHEET 1 CONT FL



IMPORTANT NOTE -
WHEN ANY SHEET OF THIS DRAWING IS REVISED, ALL SHEETS MUST BE UPDATED TO CARRY THE SAME REVISION NUMBER.

2-250HP@230V, 5-500HP@460V AND 5-500HP@575V (LIGHT DUTY / NORMAL DUTY / HEAVY DUTY)

REVISIONS			UNLESS OTHERWISE SPECIFIED		SIGNATURES		DATE
REV	DESCRIPTION	DATE	DIMENSIONS ARE IN INCHES	TOLERANCES ARE:	DRAWN	RUEL	09.17.10
11G	AN BL-0455	01.19.12	2 PL. DECIMALS ±	3 PL. DECIMALS ±	CHECKED	ANIL	09.17.10
			ANGLES ±	FRACTIONS ±	ENGRG		
					ISSUED		09.17.10
			AUTOMATION-TOOL-REV		FORMERLY		SCALE
			BASED ON 190B8130e2 REV		11		TOL PER

FIRST MADE FOR		ENCLOSED SOFT STARTER ASTAT - XT ISOLATION CONTACTOR + BYPASS STARTER (AC3)	
SIZE	B	DWG NO	190B8130 # W47BXXXXXXXXXXXX
SHEET 2		CONT FL	

GE Industrial Systems

ELEMENTARY & CONNECTION DRAWING

ACAD_DWG/FILE 190B8130E2