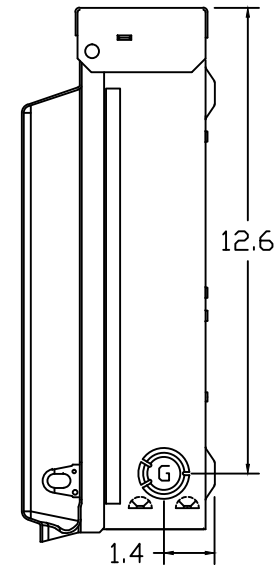
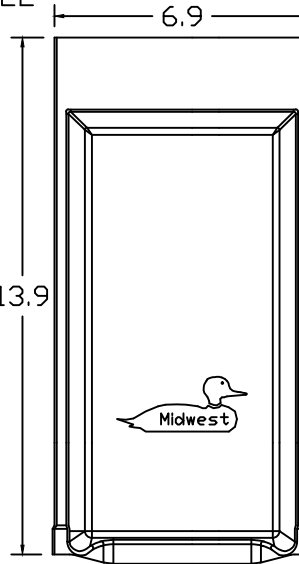
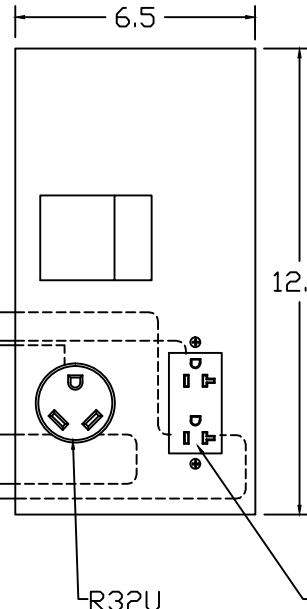
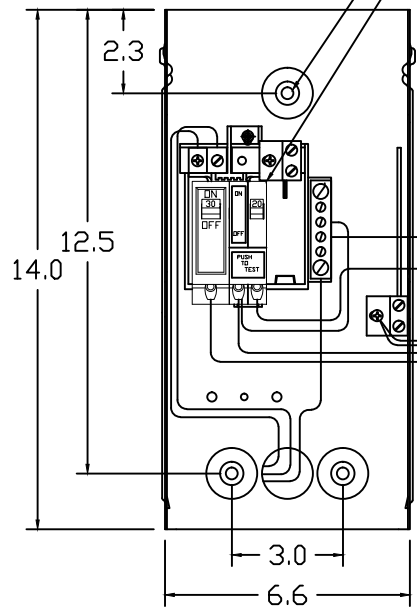
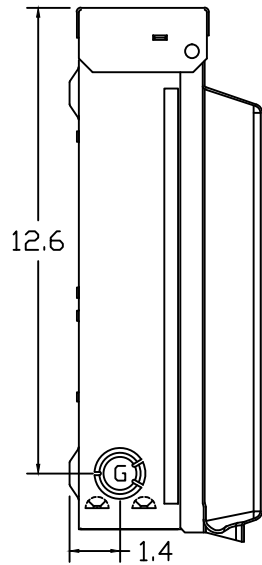


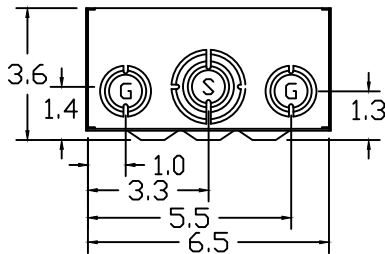
**KNOCKOUT TABLE:**

S= 1/2", 3/4", 1", 1-1/4", 1-1/2" KO
G= 1/2", 3/4", 1" KO

5/16" MOUNTING HOLE (3X)  
 3 CIRCUIT 70 AMP LOAD CENTER  
 30 AMP. BREAKER 1-POLE  
 20 AMP. GFI BREAKER 1-POLE



R32U  
 30 AMP. RECEPTACLE  
 5-20R2  
 20 AMP. DUPLEX




**WIRE RANGE TABLE:**

CONNECTOR	COPPER		ALUMINUM		
	SOLID	STRAND	SOLID	STRAND	
LINE	14-8	14-2	12-8	12-2	
LOAD	14-10	14-10	---	---	
NEUTRAL	END HOLE	14-8	14-2	12-8	12-2
NEUTRAL	SIDE HOLE	14-8	14-4	12-8	12-4
POST LINE CONNECTORS SUITABLE FOR LOOP FEED		#6-350 KCMIL	#6-350 KCMIL		
EQUIP. GRND. POST		14-2/0	14-2/0	14-2/0	14-2/0

SH22

AutoCad Generated  
 Dr. By: JDE Date: 2-6-08  
 Ck. By: Date:

MIDWEST ELECTRIC PRODUCTS  
 Plainville, CT



Unless Otherwise Specified  
 Tolerances On:  
 3 Pl. Decimals ± .010  
 2 Pl. Decimals ± .030  
 Fractions ± 1/32  
 Angles ± 1/2°  
 Holes ± .003  
 Dimensions Are In Inches

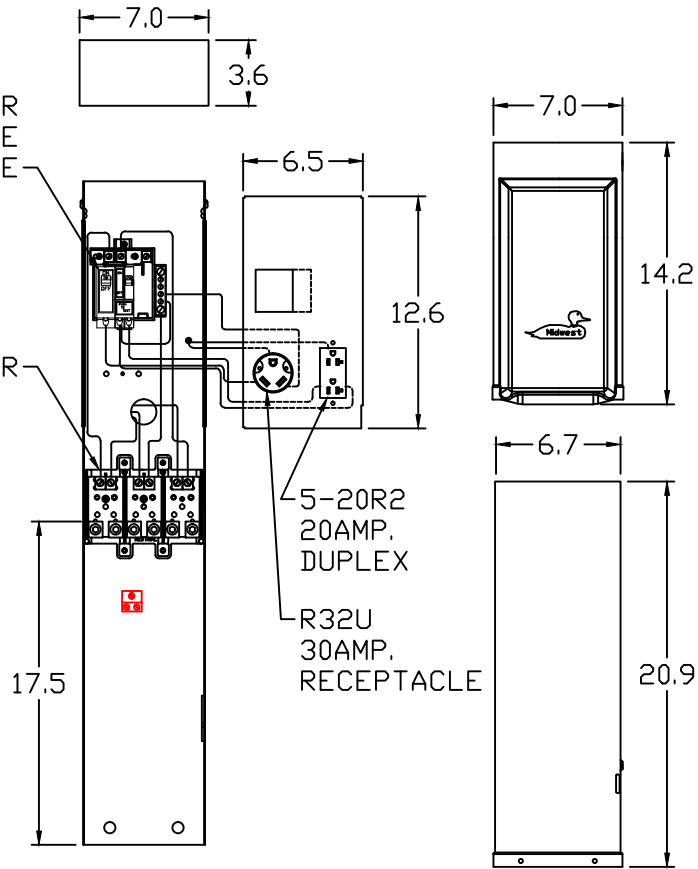
\* = Critical To Quality  
 SCALE 1 : 1  
 SIZE B  
 SHEET 1 OF 2

TITLE: U041GB4 HEAD OUTLINE  
 DWG NO: 198B8603

Rev. 1 CR R0746956 JE 2-6-08 Rev.3 CR R1408068 DJ 04-07-14  
 Rev. 2 CR R1111415 CLS 8-15-11 Rev.4 CN C009834 BM 01-12-16

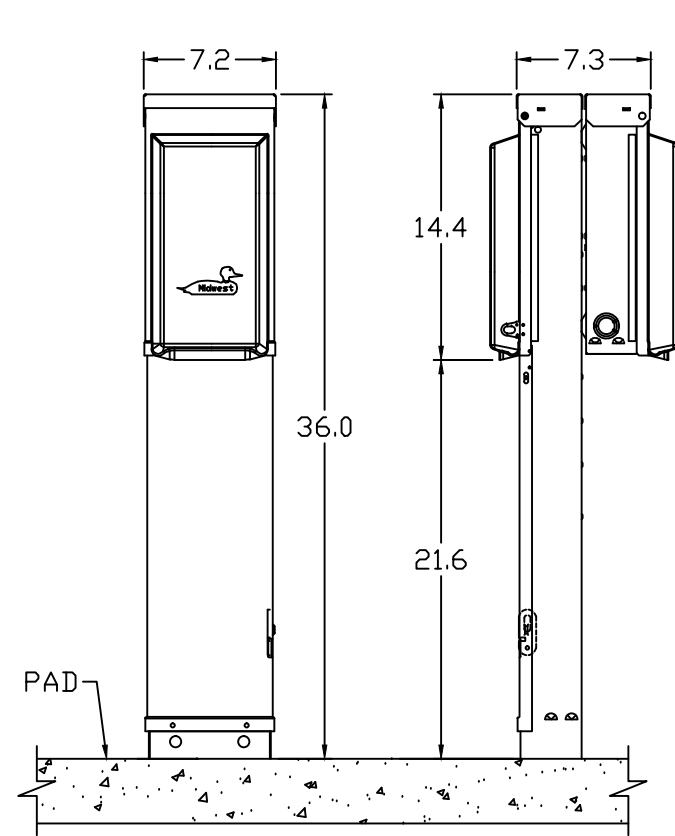
70AMP. 3 CIRCUIT LOAD CENTER  
 30AMP. BREAKER 1-POLE  
 20AMP. GFI BREAKER 1-POLE

LOOP FEED LUG TERMINAL BAR

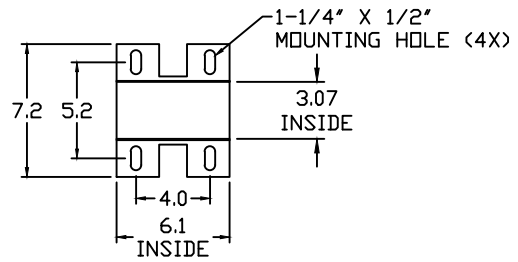


WIRE RANGE TABLE :

CONNECTOR	COPPER		ALUMINUM		
	SOLID	STRAND	SOLID	STRAND	
LINE	14-8	14-2	12-8	12-2	
LOAD	14-10	14-10	---	---	
NEUTRAL	END HOLE	14-8	14-2	12-8	12-2
NEUTRAL	SIDE HOLE	14-8	14-4	12-8	12-4
POST LINE CONNECTORS SUITABLE FOR LOOP FEED	#6-350 KCMIL		#6-350 KCMIL		
EQUIP. GRND. POST	14-2/0	14-2/0	14-2/0	14-2/0	



NOTES: PAD MOUNTED POST



SH22

AutoCad Generated  
 Dr. By: JDE Date: 2-6-08  
 Ck. By: Date:

MIDWEST ELECTRIC PRODUCTS  
 Plainville, CT

Unless Otherwise Specified  
 Tolerances On:  
 3 Pl. Decimals ± .010  
 2 Pl. Decimals ± .030  
 Fractions ± 1/32  
 Angles ± 1/2°  
 Holes ± .003  
 Dimensions Are In Inches

\* = Critical To Quality

SCALE	SIZE
1 : 1	B
SHEET 2	OF 2

TITLE: U041GB4  
 PEDESTAL- BACK TO BACK OUTLINE

DWG NO: 198B8603

Rev. 1 CR R0746956 JE 2-6-08 Rev.3 CR R1408068 DJ 04-07-14  
 Rev. 2 CR R1111415 CLS 8-15-11 Rev.4 CN C009834 BM 01-12-16