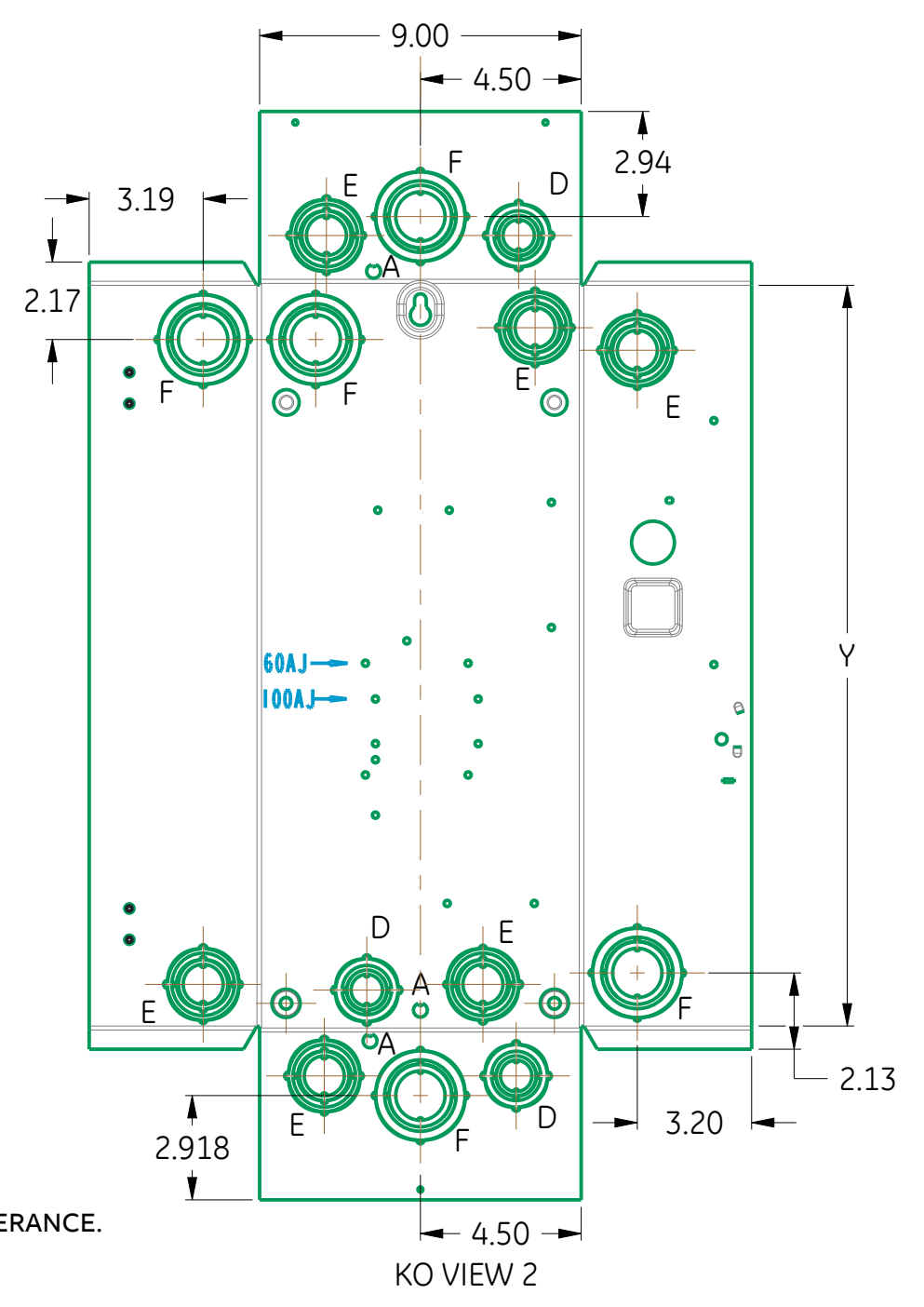
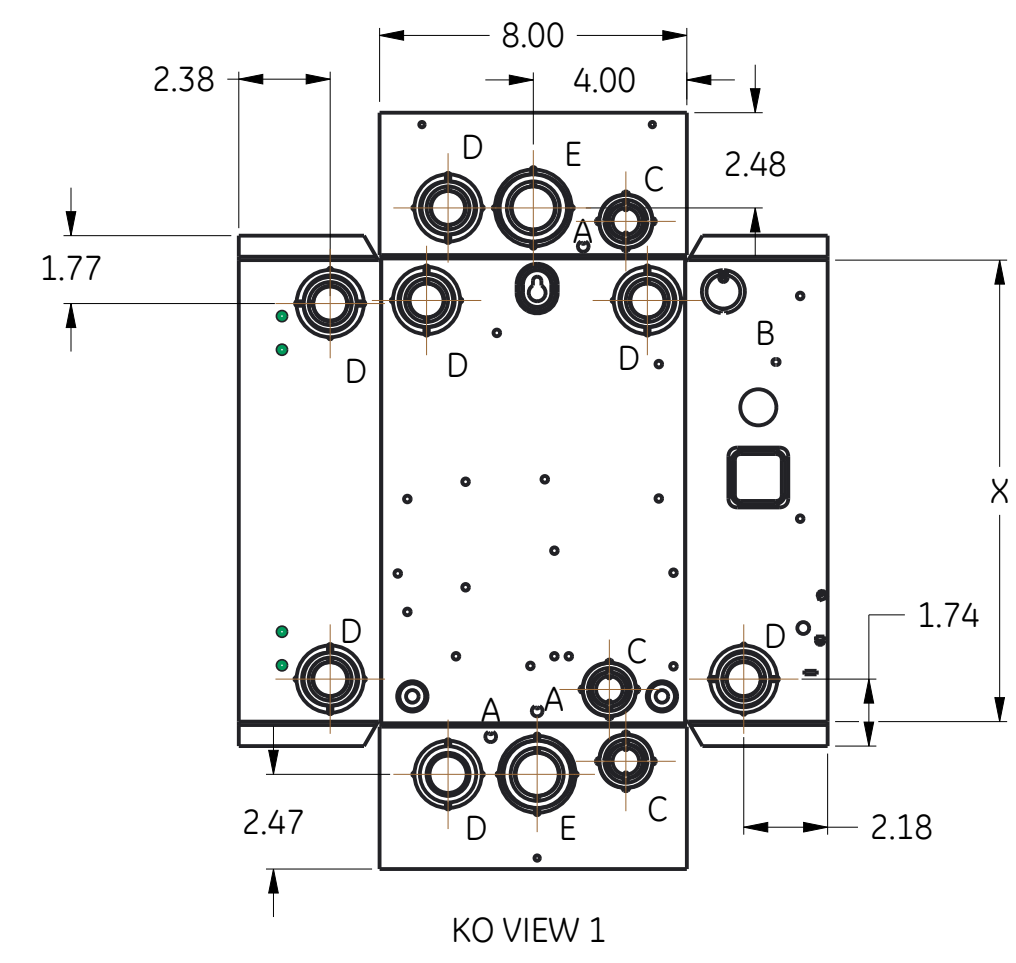
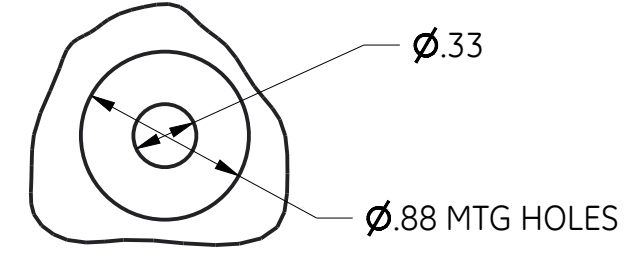
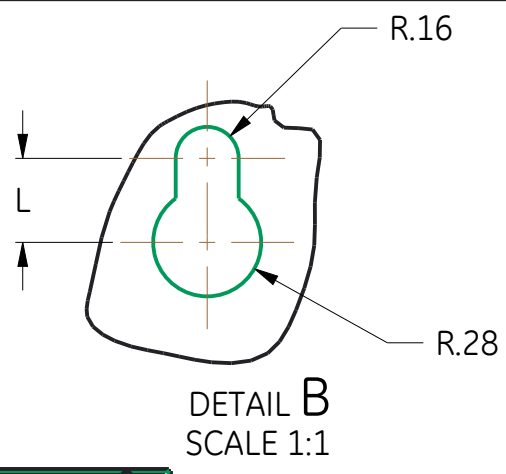
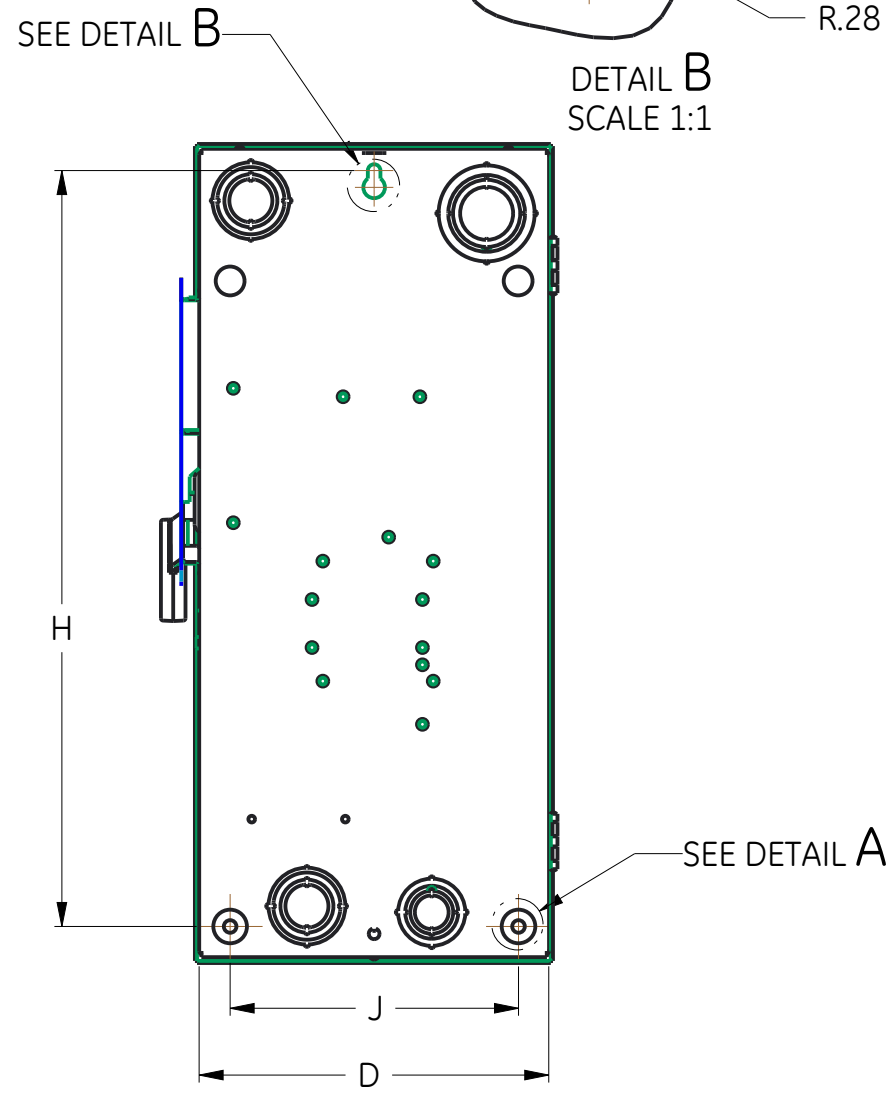
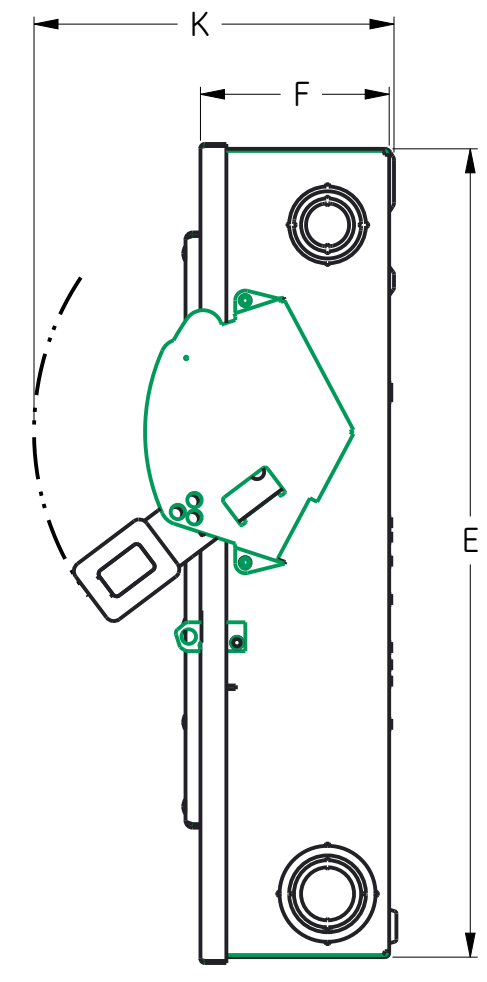
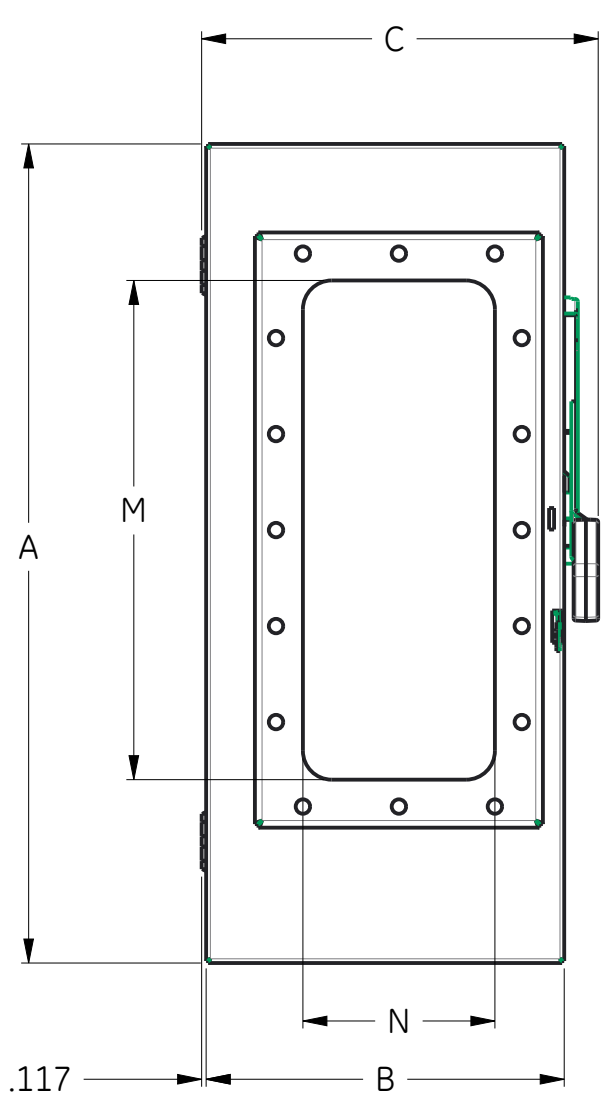


3D Model is the Master Document of Record
 Article or Material Must Conform to REACH Procedure S900000 Sec.14
 Article or Material Must Conform to RoHS Procedure S900000 Sec.13
 Part Must Conform to S900000 Sec.4 Toxicity Procedure
 Geometric Dimensioning & Tolerancing as per ASME Y14.5-2009

ABB PROPRIETARY AND CONFIDENTIAL INFORMATION
 The information contained in this document has to be kept strictly confidential.
 Any unauthorized disclosure of this information is strictly forbidden.
 ABB reserves all rights regarding Intellectual Property Rights.
 Copyright 2018 ABB. All rights reserved.



DIMENSION TABLE															
GCAT NO.	KO VIEW	A	B	C	D	E	F	H	J	K	L	M	N	X	Y
TH3222VW TH4322VW THN3362VW THN2262DCVW	1	17.59	9.38	10.05	9.12	17.32	5.00	15.81	7.50	9.00	0.44	9.00	5.00	-	17.19
THN3361VW THN2261DCVW	2	10.31	8.31	9.25	8.09	10.07	4.00	8.57	6.50	7.72	0.31	9.00	5.00	9.94	-
TH3361VW TH2261DCVW TH4361VW	2	12.56	8.31	9.50	8.09	12.32	4.00	10.82	6.50	7.62	0.31	9.00	5.00	12.19	-
TH3362VW TH2262DCVW TH4362VW	1	21.34	9.12	9.38	9.00	21.12	5.00	19.56	7.50	8.62	0.44	13.00	5.00	-	20.99

KNOCKOUT TABLE			
SYM	SIZE	VIEW	
		VIEW 1	VIEW 2
A	9/32 KO	3	3
B	1/2 X 3/4 KO	-	1
C	1/2 X 3/4 X 1 KO	-	3
D	1/2 X 3/4 X 1 X 1-1/4 KO	3	7
E	3/4 X 1 X 1-1/4 X 1-1/2 KO	6	2
F	1 X 1-1/4 X 1-1/2 X 2 KO	5	-
G	3/8 X 1/2 X 3/4 X 1 KO	-	-

NOTE:
 1. ALL DIMENSIONS ARE IN INCHES.
 2. ALL DIMENSIONS HAVE ±0.125 TOLERANCE.

DRAWING FILE 1SQC920055D0201		MODEL FILE 210040020A3		ABB	
DATE MODIFIED 06-Jan-21 02:39:20 PM		DESIGNED BY KORDAS			
Calculated for: VOLUME 0.000 in^3		C/N# C106934		APPROVED BY WAKEFIELD	
MASS 0.000 lbm		MATERIAL SPECIFICATION ---		FINISH SPECIFICATION ---	
UNLESS OTHERWISE SPECIFIED		MATERIAL DESCRIPTION ---		TITLE OUTLINE DRAWING-HEAVY DUTY 30 & 60A, NEMA 1 VW ENCLOSURE	
TOLERANCE ON: 1 PL DECIMALS ± 0.1 2 PL DECIMALS ± 0.05 3 PL DECIMALS ± 0.005 ANGLES ± 1.0		FINISH DESCRIPTION ---		UNITS in	
				LOCAL TITLE ---	
				SCALE 1:5	
				ROOT NUMBER ---	
				REV 2	
				RELEASE STATE In Work	
				PRODUCT LINE SAFETY SWITCH	
				SHEET 1 of 1	

