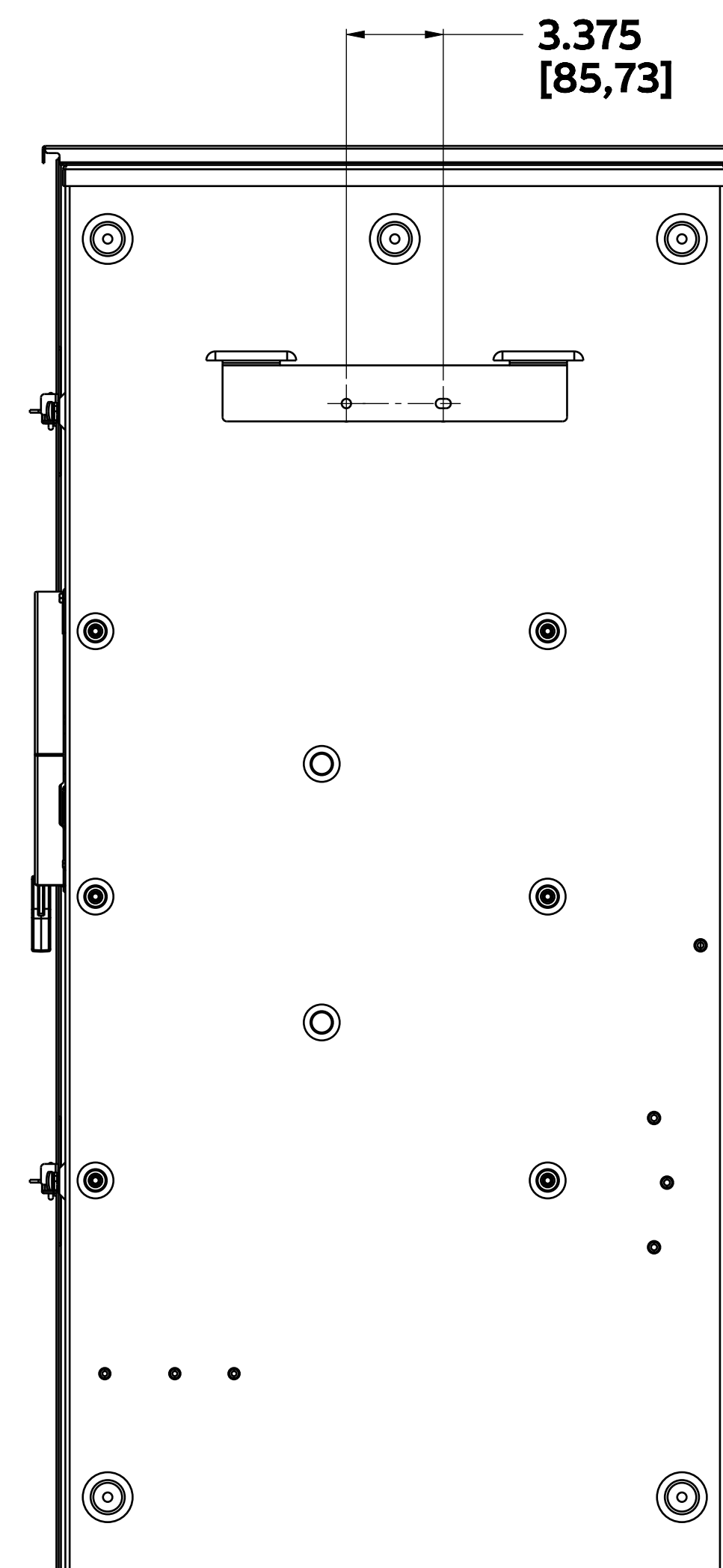
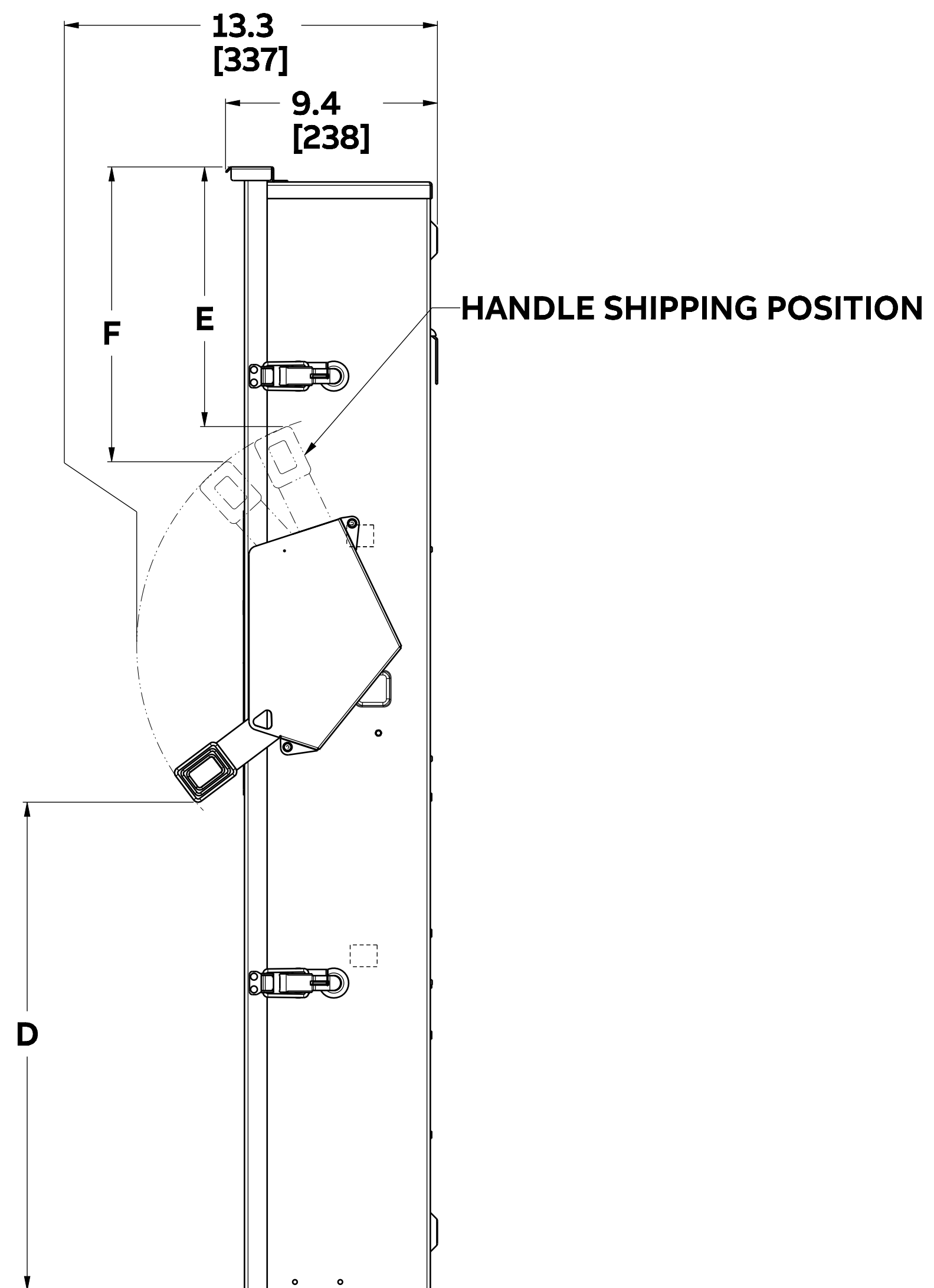
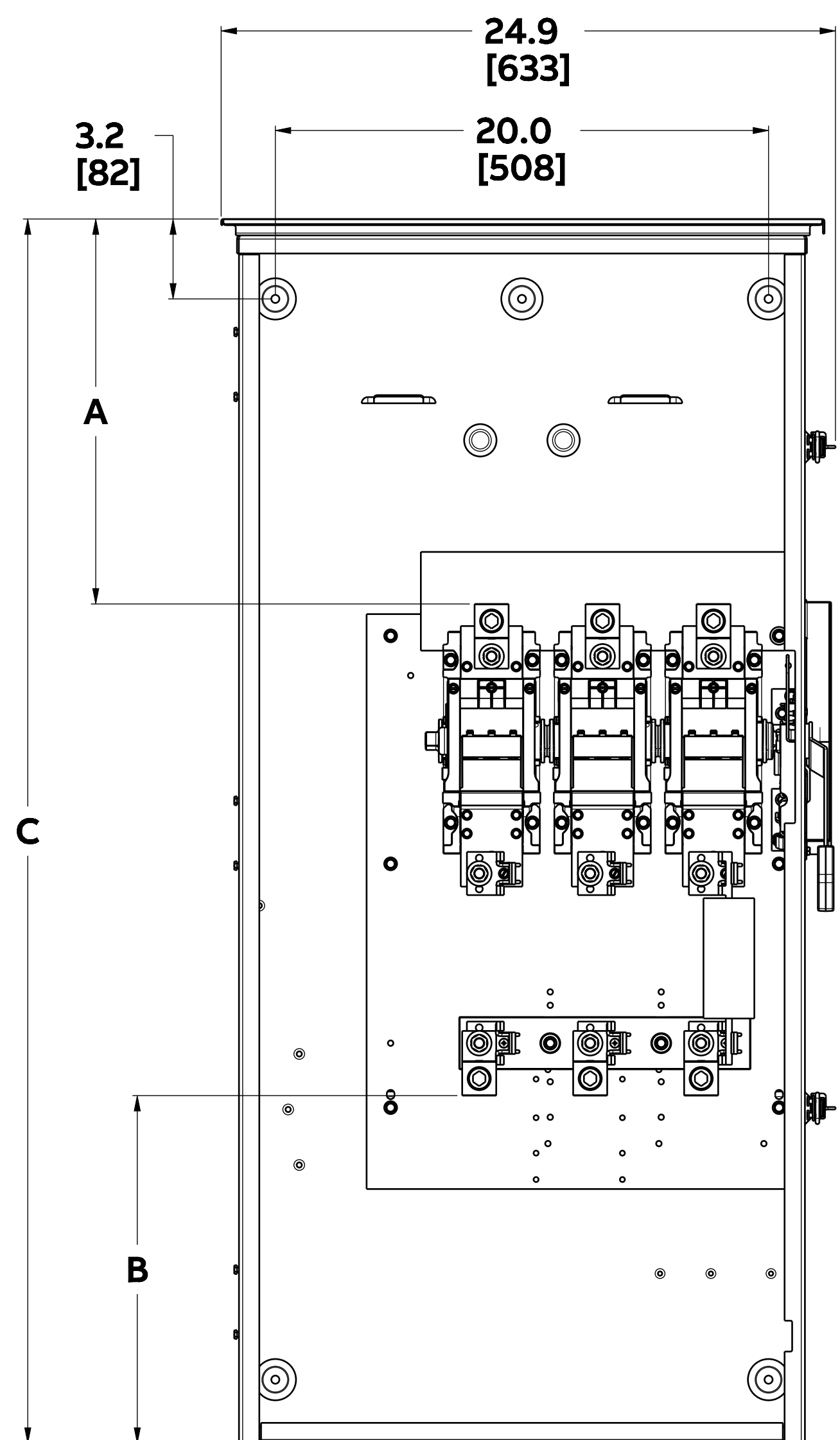
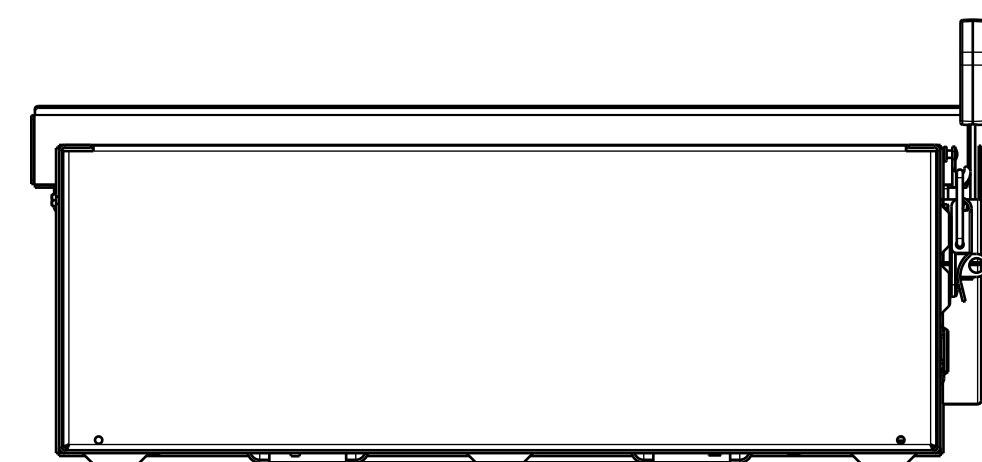



SKU	AMP	HD/GD	POLES	VOLTS	NEUTRAL	FUSED	A	B	C	D	E	F
MHF325RA	400A	HD	3	240V	N	Y	15.6	14.1	49.6	21.5	11.4	13.0
MHF326RA	600A						396	358	1260	546		
MHF365RA	400A						14.7	17.1				
MHF366RA	600A			373		434						
MHU365RA	400A			15.6		15.8	54.3	26.4				
MHU366RA	600A			396		401	1379	671				
				600V		N						
							14.7	14.1				
							373	358				
							15.6	21.7	49.6	21.6		
							396	551	1260	549		
							14.7					
							373					



FRONT COVER ASSEMBLY, LINE SHIELD, NAME PLATE AND INSULATING BARRIER REMOVED FOR CLARITY



Midwest Electric Products 

TITLE  
**400/600A NEMA 3R HD OUTLINE**

SIZE	MODEL	REV
D	<b>1SQC920072D0201</b>	C

SCALE: 1:5 SHEET 1 OF 1