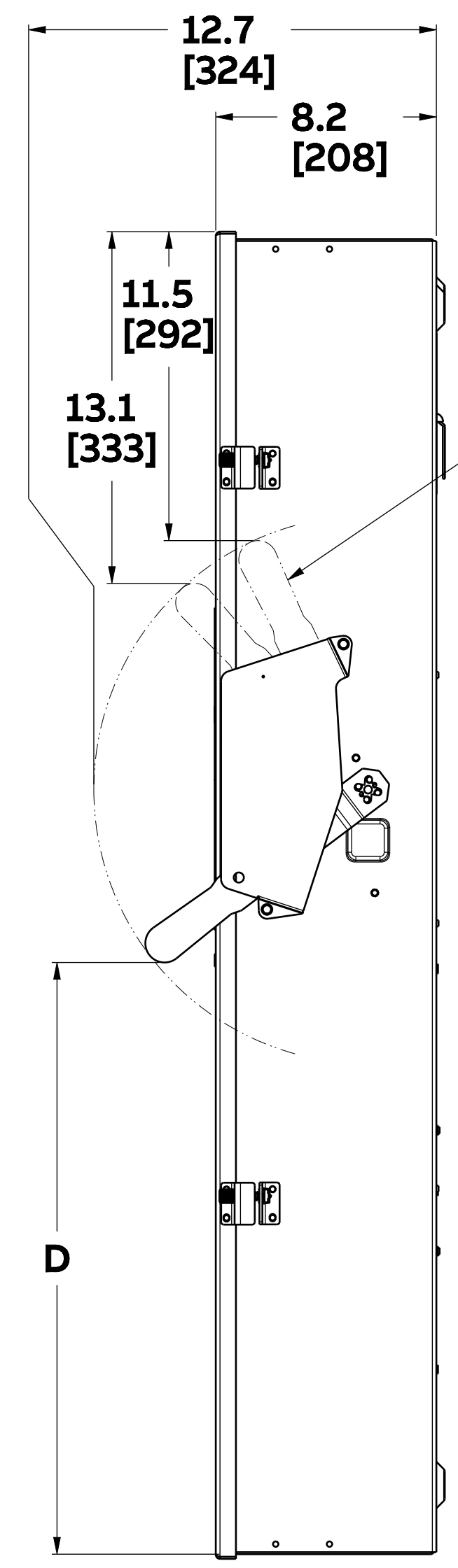
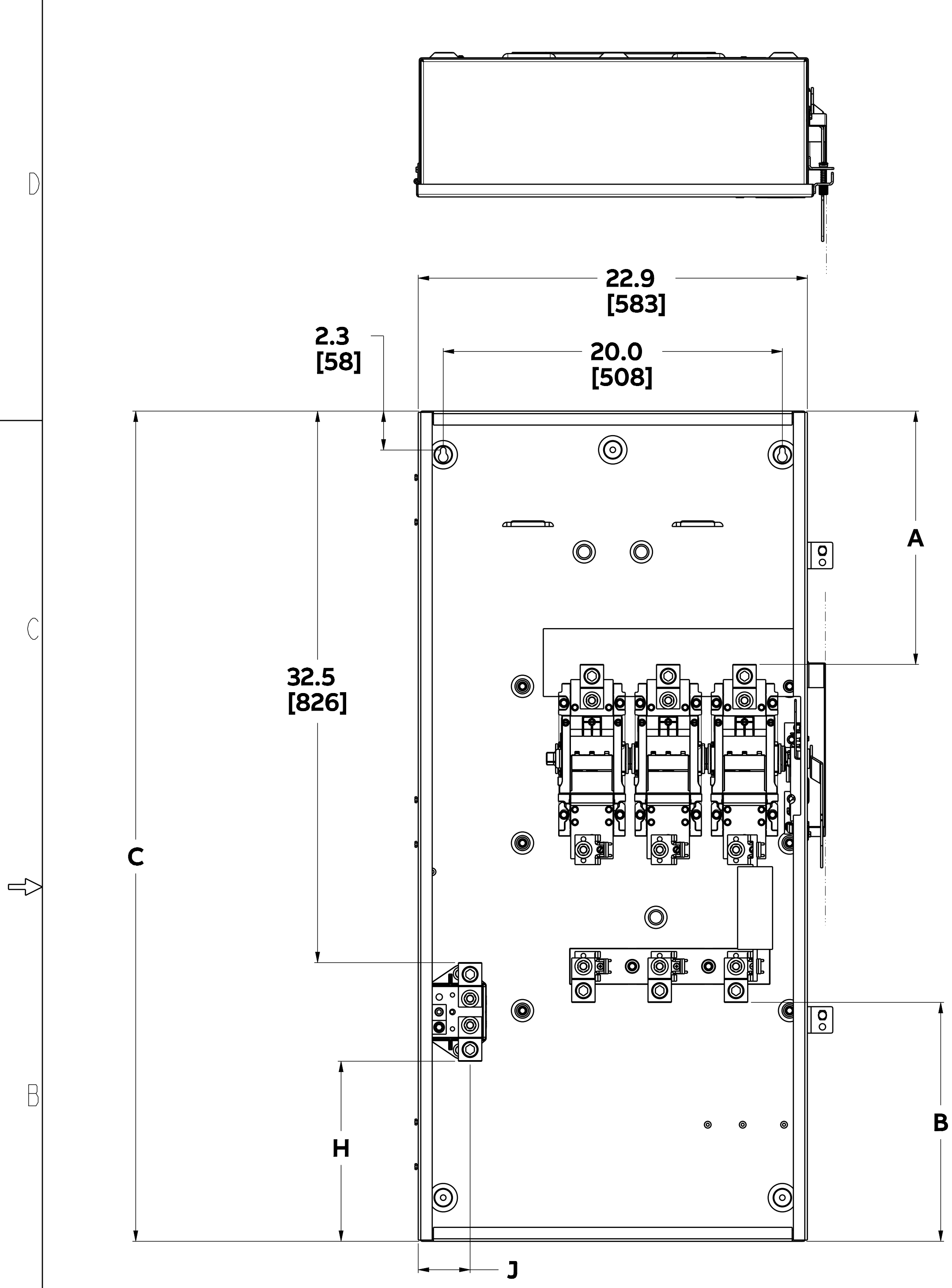
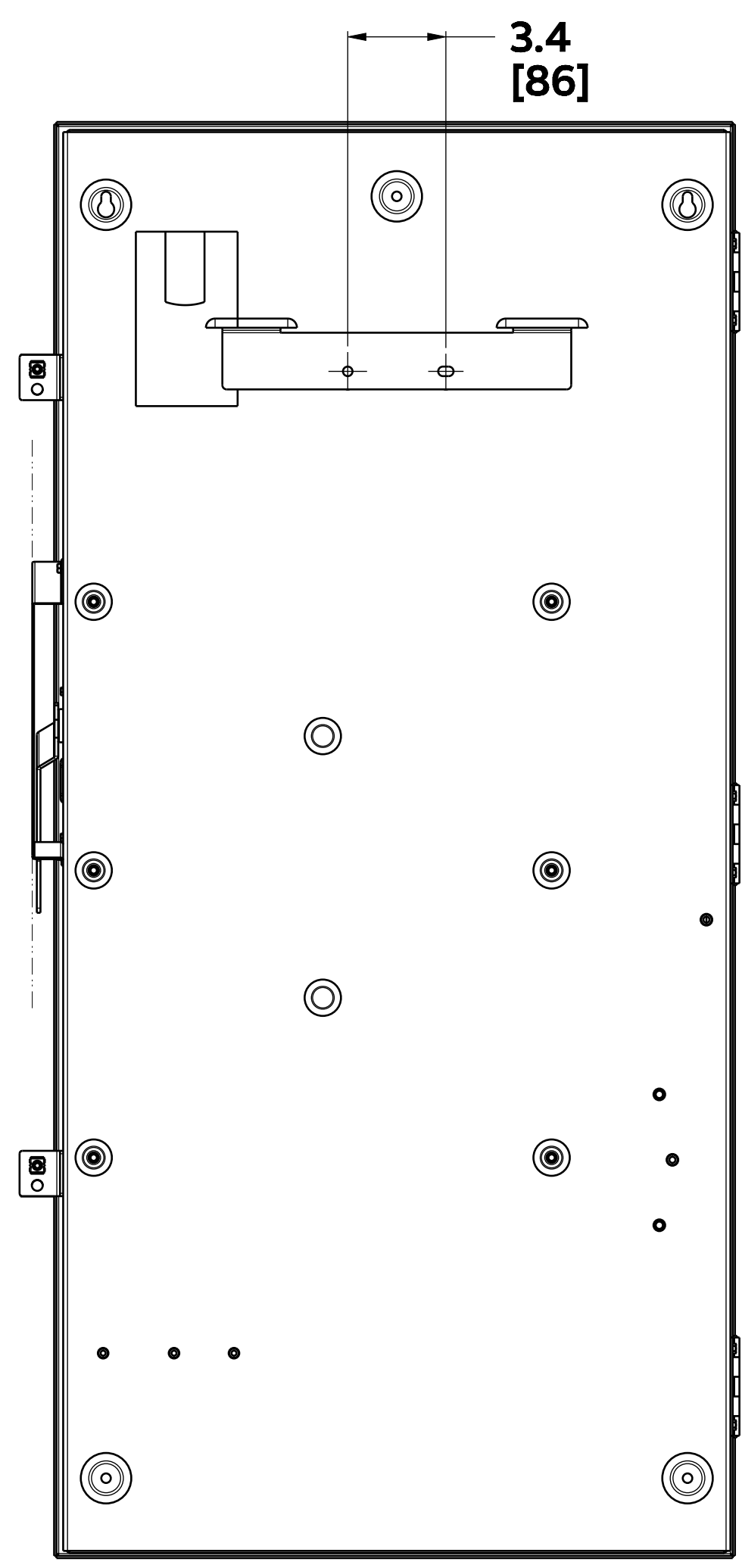


18 17 16 15 14 13 12 11

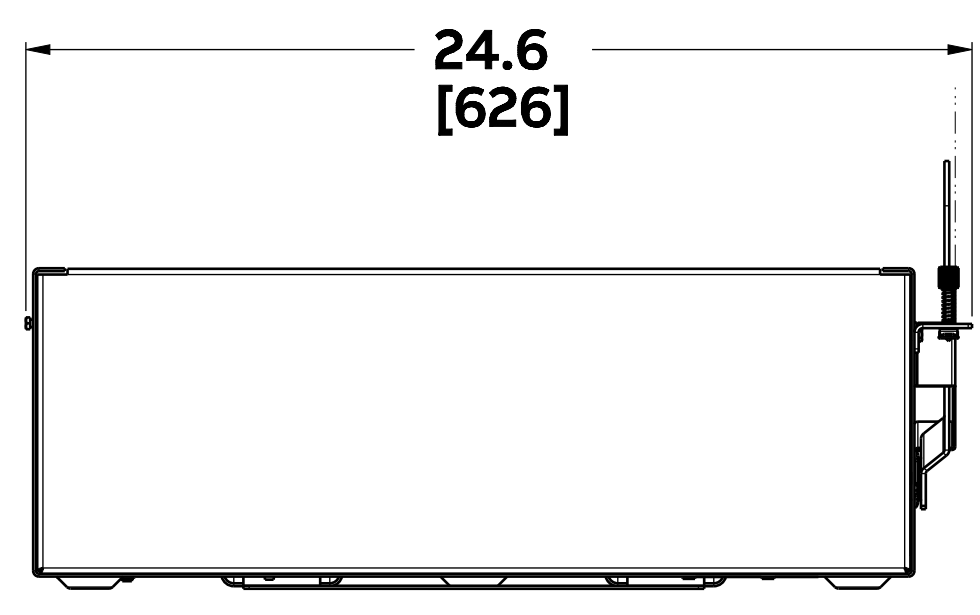
SKU	AMP	POLES	VOLTS	NEUTRAL	A	B	C	D	H	J
MGF325NA	400A	3	240V	Y	14.9 379	14.1 358	49.0 1245	22.0 559	10.6 269	3.1 79
MGF326NA	600A			Y	14.1 358	17.1 434	53.7 1364	26.9 683	15.0 381	2.5 64



HANDLE SHIPPING POSITION



FRONT COVER ASSEMBLY, LINE SHIELD, NAME PLATE AND INSULATING BARRIER REMOVED FOR CLARITY



Midwest Electric Products

TITLE		
400/600A NEMA 1 GD OUTLINE		
SIZE	MODEL	REV
D	1SQC920078D0201	C
SCALE: 1:5		SHEET 1 OF 1

18 17 16 15 14 13 12 11