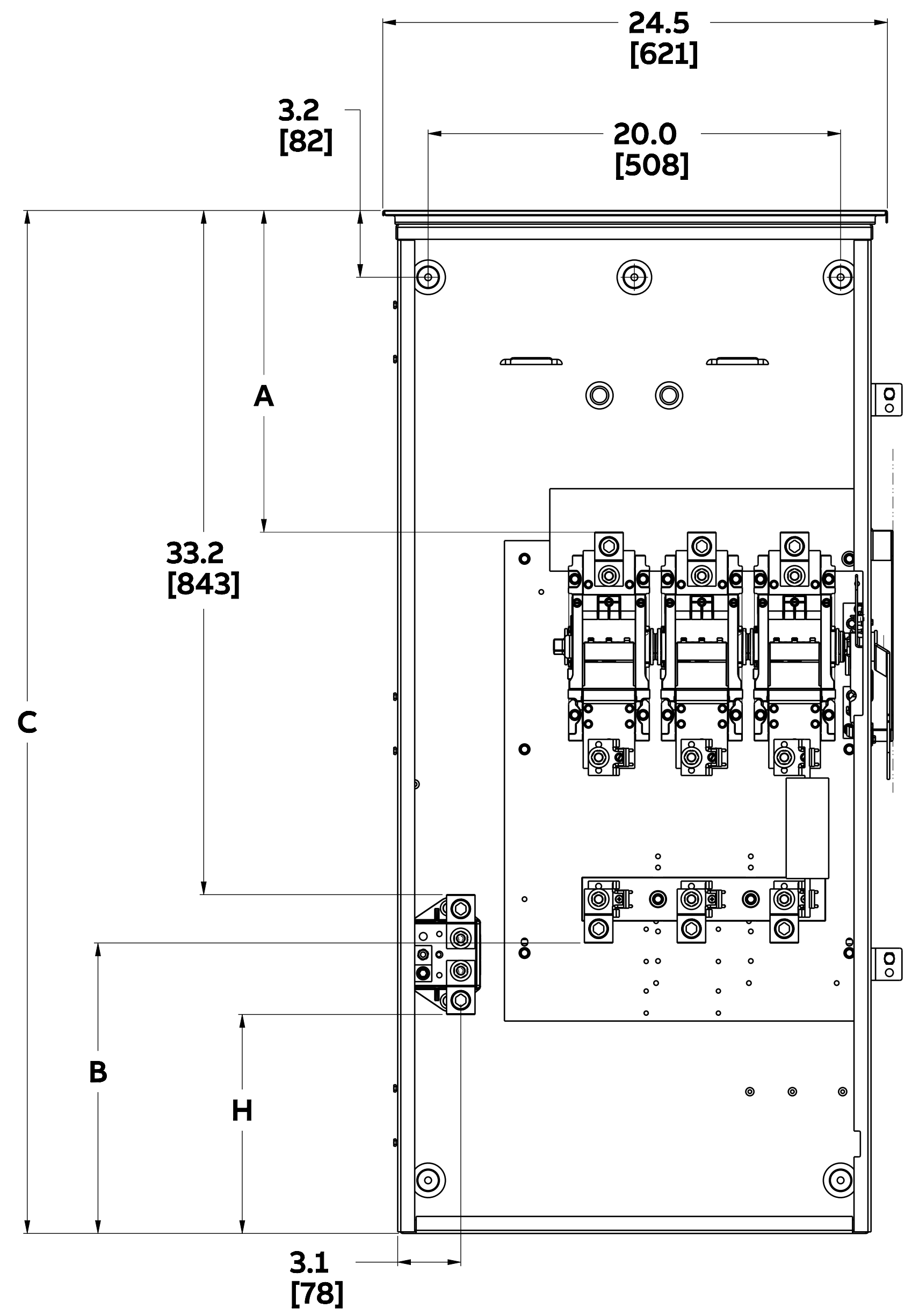
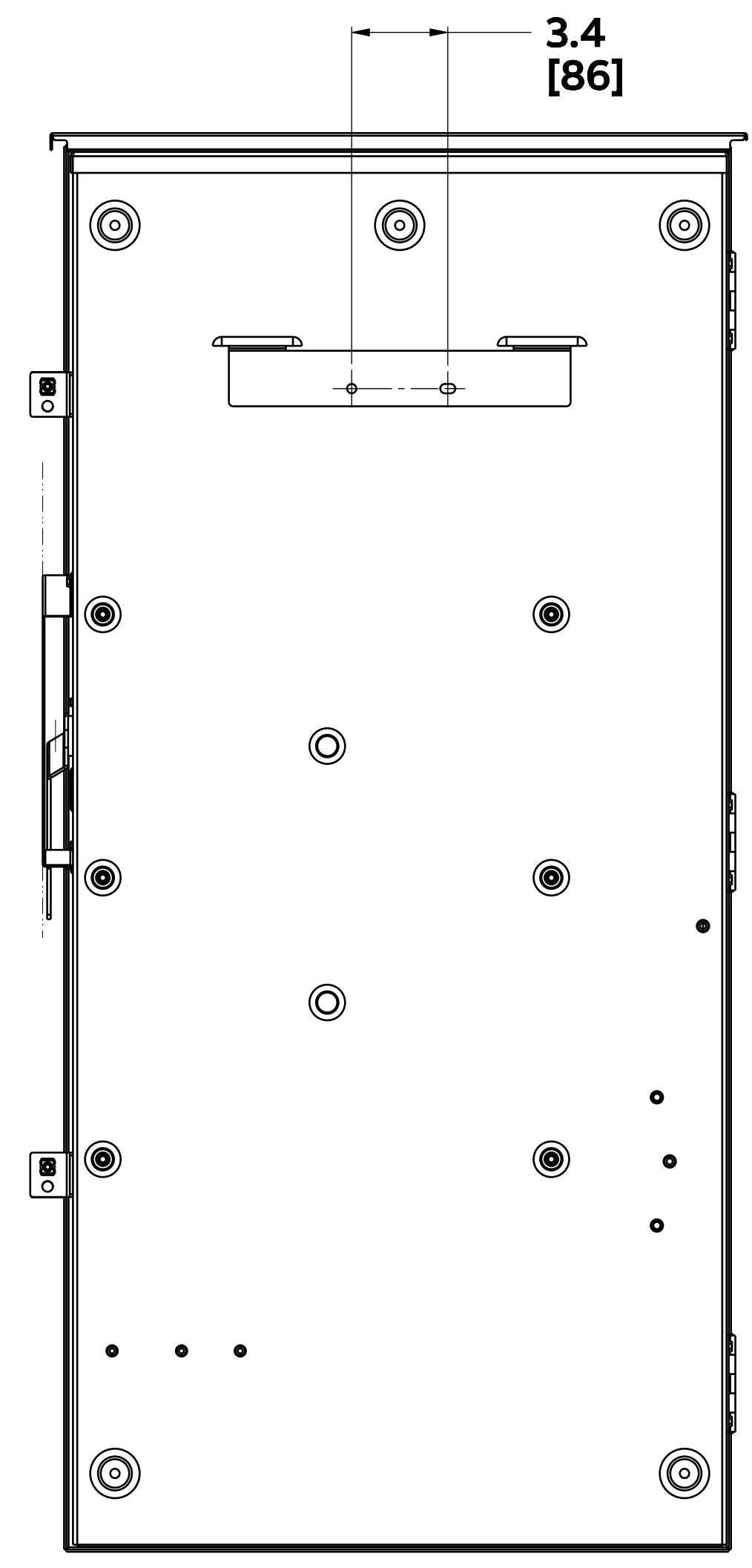
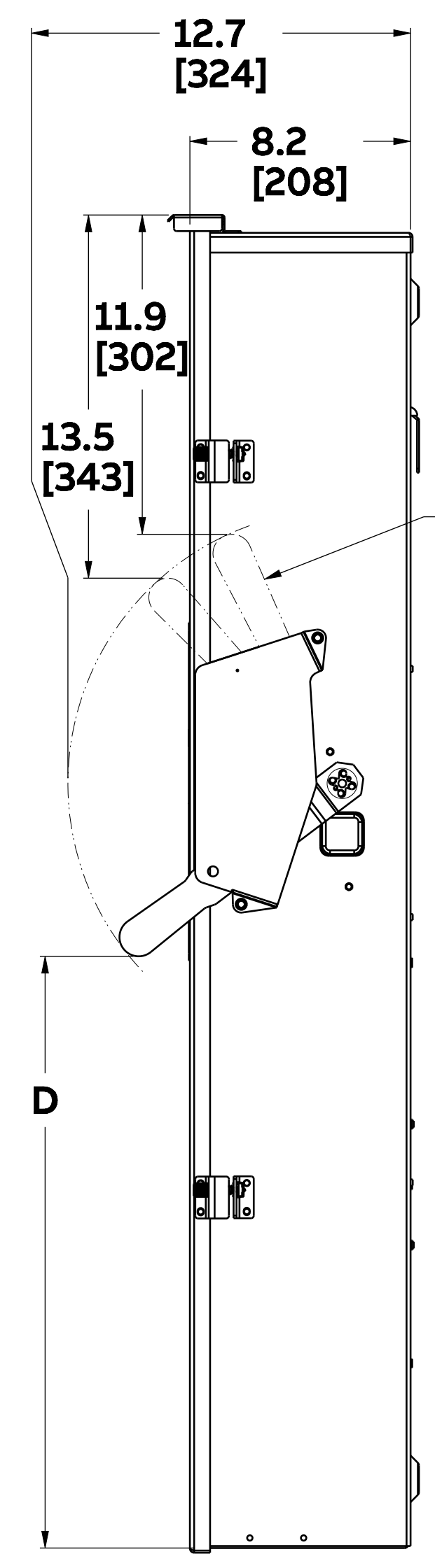
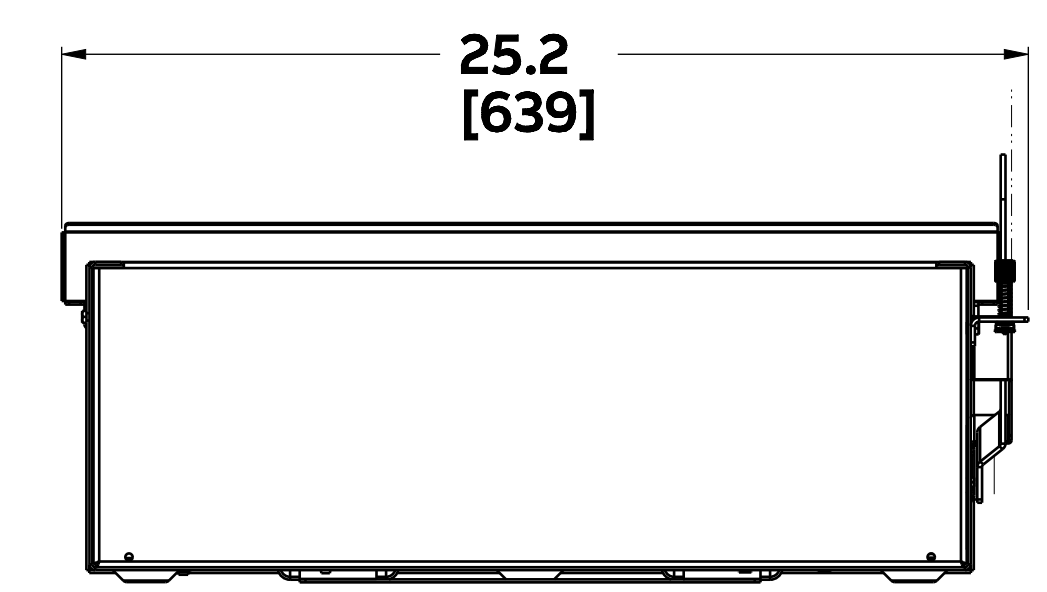



| SKU | AMP | POLES | VOLTS | NEUTRAL | FUSED | A | B | C | D | H |
|-----------|------|-------|-------|---------|-------|------|------|------|------|------|
| MGF325NRA | 400A | 3 | 240V | Y | Y | 15.6 | 14.1 | 49.6 | 22.0 | 10.6 |
| | | | | | | | | | | |
| MGF326NRA | 600A | | | | | 14.7 | 17.3 | 54.3 | 26.8 | 15.3 |
| | | | | | | 373 | 439 | 1379 | 681 | 389 |



FRONT COVER ASSEMBLY, LINE SHIELD, NAME PLATE AND INSULATING BARRIER REMOVED FOR CLARITY



Midwest Electric Products 

TITLE: **NEMA 3R GD OUTLINE**

| | | |
|---------|------------------------|--------|
| SIZE: D | MODEL: 15QC920080D0201 | REV: B |
|---------|------------------------|--------|

SCALE: 1:5 SHEET 1 OF 1