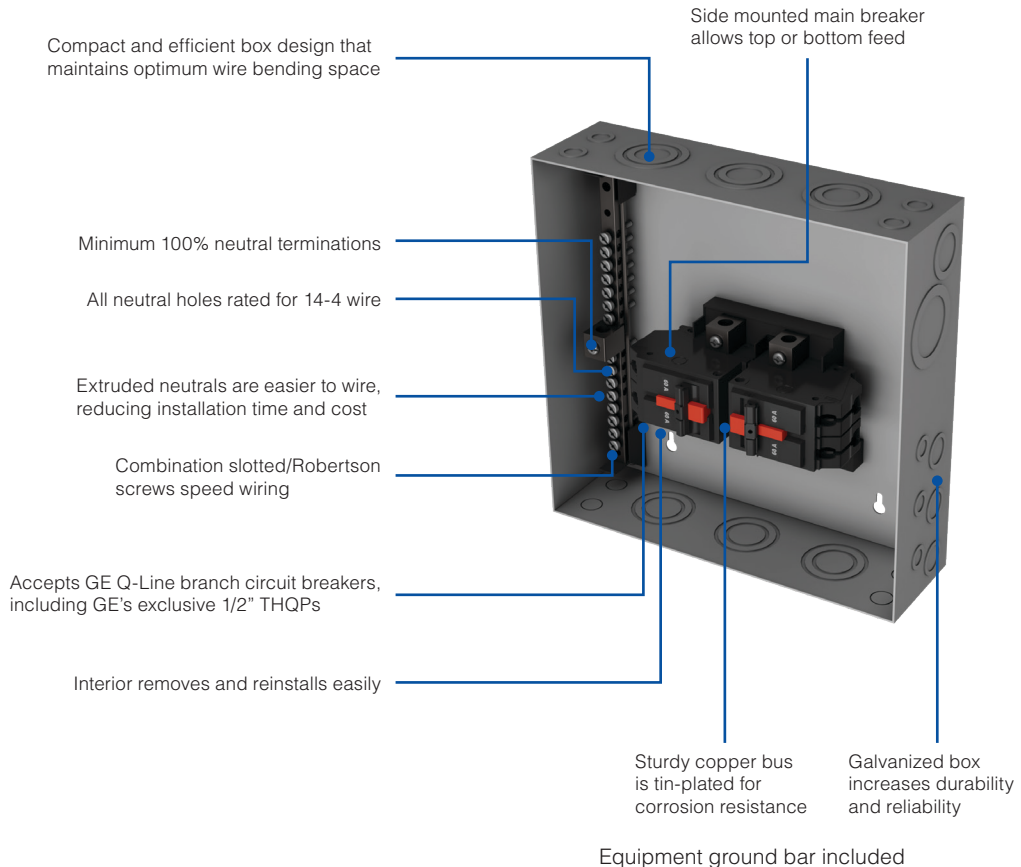


Generator Panel



Specifications and Features

- Single phase, 2 interlocked 30A or 60A main breakers, 8 circuits max.
- Safety and convenience when using a generator
- Maintains power to such critical circuits as those for furnace, pump, refrigerator, lights
- Connected dual breaker mechanism



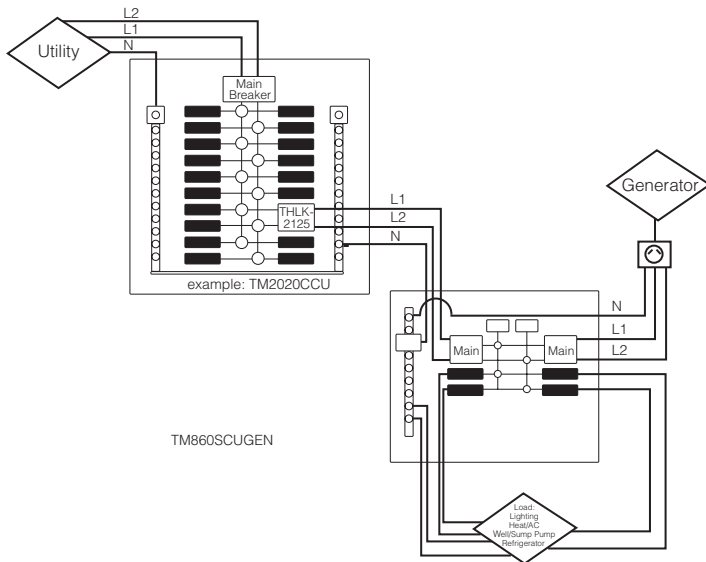
Technical Data

All generator panels include two interlocked main breakers and an equipment ground bar.

Selection Guide

Generator Rating	Main Ampere Rating	Maximum Spaces					Generator Panel Catalog Number			Main Wire Size
		1 Pole	2 Pole	1 Pole	2 Pole	Total 1 Pole Spaces	Indoor Flush Mount	Indoor Surface Mount	Outdoor	
		1" THQL		1/2" THQP						
Up to 7.5 kW	30	4	2	8	4	8	MM830FCUGEN	MM830SCUGEN	MM830RCUGEN	6-1
7.5 kW - 15 kW	60	4	2	8	4	8	MM860FCUGEN	MM860SCUGEN	MM860RCUGEN	6-1

Wiring Diagram



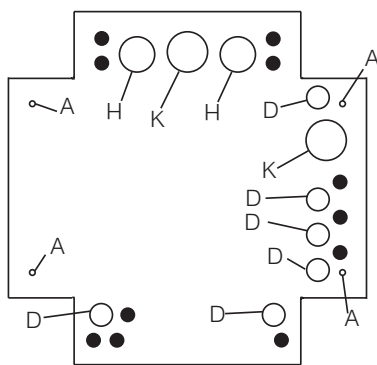
Ratings

30A: 7,200 peak wattage, 5,760 continuous load, 24 amps at 240 volts
60A: 14,400 peak wattage, 11,520 continuous load, 48 amps at 240 volts

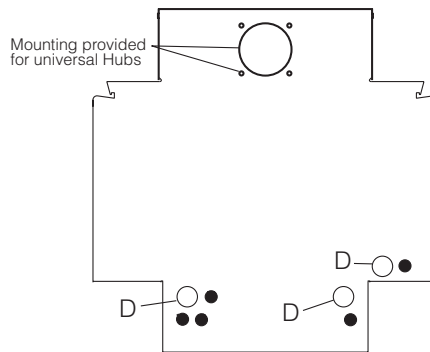
Accessories & Options

- Front filler plates
- Hardware kits

Knockouts & Dimensions



Indoor
 11 9/16"W x 11 1/8"H x 3 1/4"D



Outdoor
 11 1/4"W x 11 1/8"H x 3 1/4"D

Midwest Electric Products

305 Gregson Drive
 Cary, NC 27511
 Customer Service: 866-685-0577
 Fax: 804-965-1041
 www.midwestelectric.com

© 2021 Midwest Electric Products
 1TQC1532E0004 REV.A (09/2021)

Information provided is subject to change without notice. Please verify all details with Midwest Electric Products. All values are design or typical values when measured under laboratory conditions, and Midwest makes no warranty or guarantee, express or implied, that such performance will be obtained under end-use conditions.

