



# MEPSPD1

## Residential Surge Protection Device



### FEATURES:

- 36 kA per Phase
- UL 1449 Listed
- 10 kA I-nominal Rating
- 200 kA SCCR
- Meets NEC® 2020 Art. 230.67 Requirements



### Product Specifications

#### General Specifications

Maximum surge current	36 kA per phase
UL Type designation	Type 1
UL 1449 I-nominal rating	10 kA
UL 1449 short circuit current rating	65 kA

#### Design Specifications

Custom MOV design for high energy handling in Category C locations
Thermally protected MOVs
External parallel connected for mounting next to electrical gear
Reduced mode of protection (L1-N, L2-N)
Diagnostic and status monitoring specifications
LED protection status monitoring (single LED standard)

#### Standards Compliance and Certifications

UL 1449 5 <sup>th</sup> Edition: 2021, cULus, (UL File: VZCA.E316468), ANSI/IEEE C62.41.1-2002, C62.41.2-2002, C62.45-2002, NEC Article 285
ISO 9001: 2014 Quality Management System, ISO 17025: 2007 Laboratory Certification (UL DAP Program) Compliance with RoHS, REACH and California Prop 65
100% quality tested prior to shipping

#### Enclosure

Polycarbonate 4.25" x 2.41" x 2.75"
Lid ultrasonically sealed
NEMA 4X
½" NPT side-mount nipple

#### Filtering

No
----

#### Technical Data

Humidity range	0-95% non-condensing
Operating frequency	50-60 Hz
Operating temperature	-35°C to +85°C
Typical connection	18" #12 AWG (pre-wired pigtails)

#### UL 1449 Performance Data

System voltage	L-N	L-G	N-G	L-L	SCCR	MCOV
240/120 V Split Ø	700	—	—	1200	200 kA	180



Learn more:

[www.midwestelectric.com/products/surge-protective-devices/mepsd1-residential-surge-protective-devices](http://www.midwestelectric.com/products/surge-protective-devices/mepsd1-residential-surge-protective-devices)

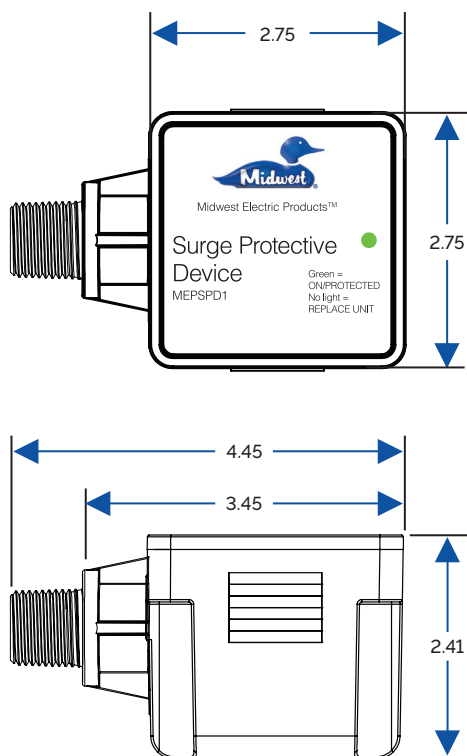
## INSTALLATION RECOMMENDATIONS:

- A 2-pole, 20-amp breaker is required for installation.
- The breaker can either be dedicated to the surge device or shared with another circuit.
- Install the breaker and surge device closest to the incoming line for best results.
- Ensure the leads from the surge device to the breaker are as short as possible.

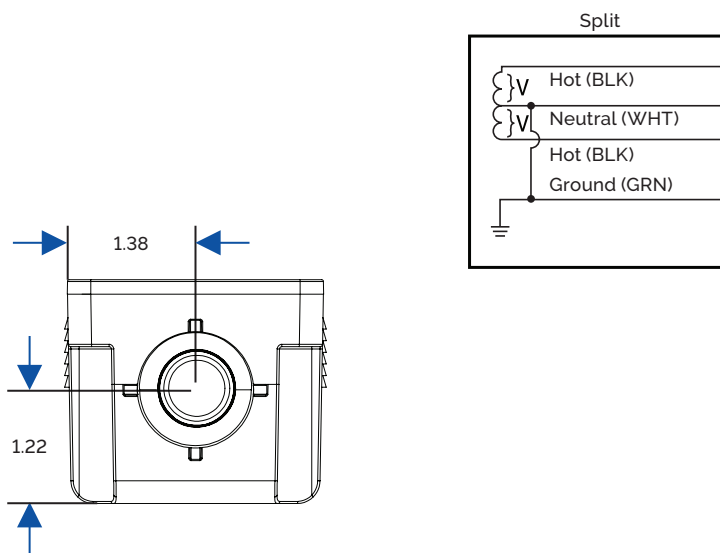
### Size and Mechanical Specifications

Dimensions	Weight	Enclosure Type Polycarbonate	Installation Type	Mounting Method
4.25" x 2.41" x 2.75"	0.46 lbs	NEMA 4X	Indoor / Outdoor	Flush / Flange / Through-hole

### Product Diagram



### Wiring Diagram



## Midwest Electric Products

Quality Weatherproof Electrical Equipment

305 Gregson Drive • Cary, NC 27511

Customer Service: 866-685-0577 • Fax: 804.965.1041

[midwestelectric.com](http://midwestelectric.com)

© 2022 Midwest Electric Products | 1TQC1532E0005 Ds Rev.A May 2022

Information provided is subject to change without notice. Please verify all details with Midwest Electric Products. All values are design or typical values when measured under laboratory conditions, and Midwest makes no warranty or guarantee, express or implied, that such performance will be obtained under end-use conditions.

