



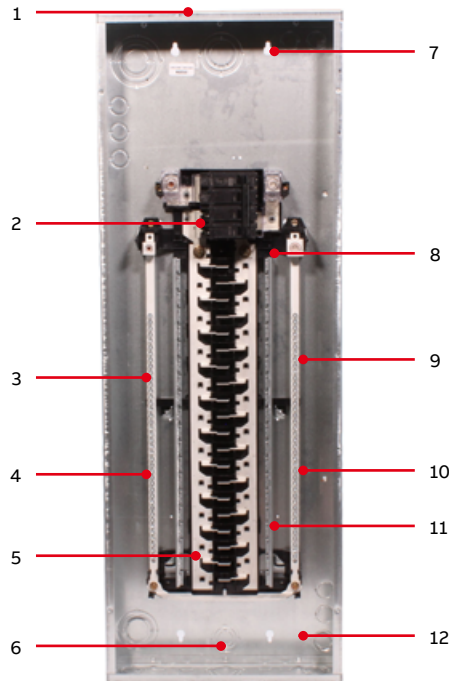
RESIDENTIAL SOLUTIONS

PowerMark Gold™ Load Centers

GE makes load center installation fast and easy

—
PowerMark Gold™ Meter
Socket Load Center

—
Note: Factory installed
ground bars are included
on all MLO convert-
ible models. Just add
"G" Suffix to part #.



1. Tangential knockouts reduce conduit bending time
2. Robust 22KAIC main breakers, or convertible main lugs factory installed
3. Full-length neutrals are easier to wire, reducing installation time and cost
4. 100% rated split neutral with raised neutral screws further reduces wiring time
5. Tin plated COPPER bus standard on all models
6. Tie bar may be removed to split neutral/ground
7. Back keyholes and slotted side holes simplify mounting
8. One-piece interior removes and reinstalls easily
9. Raised Combination slotted/Robertson square drive screws on all neutral and ground bars reduce wiring time.
10. All neutral bar & ground bar holes rated for 14-4 wire
11. Steel (not plastic) breaker mounting rail
12. Sturdy galvanized box increase durability and reliability

With new designs and engineering, all indoor load centers from GE are now packed with more features that lower your cost by speeding up installation.

At a glance

- Single Phase, Three Wire, 120/240 VAC, 22 kA IC Rated
- UL Listed (Panelboards No. 67)
- 60°C/75°C Conductor Rating
- Suitable for use as Service Entrance Equipment when installed in accordance with the National Electric Code

Protect your home with the THQL SURGE from GE!

- Electric surges or lightning strikes can damage your expensive home electronics and appliances
- Up to 60,000A of surge protection
- 27kA per mode rating
- Easy to install, plugs in like a normal
- 2-Pole breaker
- \$15,000 limited warranty





01

01. Tangential knockouts remove faster and cut your conduit-bending time. A single anchor on our 1/2" knockout helps, too.



02

02. Keyholes on the back make mounting fast and easy, while slotted side mounting holes simplify depth adjustments.



03

03. GE gives you a head start with neutral screws shipped in the raised position. You just insert the wire and tighten.

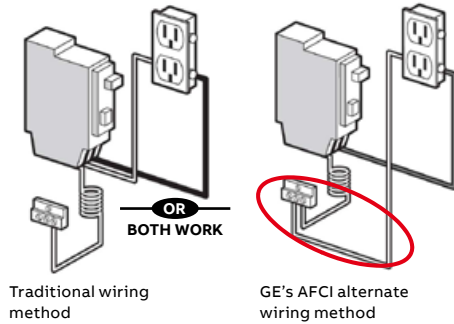


The only AFCI in the industry that features mixed & shared neutrals!

Unlike all other brands, the neutral load lug on the GE AFCI breaker is there simply for your wiring convenience. For new construction you have the option to run the neutral wire back to the breaker or the neutral bar which can greatly save on wire and labor. For retrofits it's a true time-saver. You don't have to track down the exact neutral wire that may be split or shared upstream – you can simply pull and replace.

AFCI Wiring Advantage!

Mixed Neutral



Shared Neutral

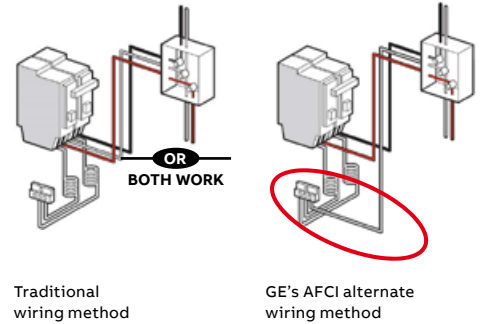


ABB Inc.
305 Gregson Drive
Cary, NC

electrification.us.abb.com

We reserve the right to make technical changes or modify the contents of this document without prior notice. With regard to purchase orders, the agreed particulars shall prevail. ABB Inc. does not accept any responsibility whatsoever for potential errors or possible lack of information in this document.

We reserve all rights in this document and in the subject matter and illustrations contained therein. Any reproduction, disclosure to third parties or utilization of its contents – in whole or in parts – is forbidden without prior written consent of ABB Inc. Copyright © 2020 ABB. All rights reserved.

GE is a registered trademark used under license from General Electric