



INSTALLATION INSTRUCTIONS

ReliaGear™ lighting panelboard

NEMA 3R and 4/4X/12 enclosures



— NEMA 3R enclosure
All include a 3 point catch as shown



— NEMA 4/4X/12 enclosures 31" and smaller have a single point latch
NEMA 4/4X/12 enclosures 37" and taller will have (2) single point latches as shown

STEP 1

Remove the cover from the box. Save all mounting hardware.

STEP 2

Loosen the four 5/16 - 18 X 7/16 hex head screws (shown marked "B") retaining mounting tabs on back of enclosure.

Rotate mounting tabs 90° to position shown and tighten screws securely.

See Figure 1, enclosure referenced is a 20" wide. For 30" wide enclosures, the dimension centerline for the mounting tabs is 24".

Mount enclosure to area designated, orient top of enclosure as indicated in Figure 2. For **NEMA 12** applications, plug drain holes (bottom of enclosure) with hardware provided.

Box size	Dim. A
25 1/2"	28"
31 1/2"	34"
37 1/2"	40"
43 1/2"	46"
49 1/2"	52"
55 1/2"	58"
64 1/2"	67"
76 1/2"	79"

STEP 3

Install interior assembly by placing key-slotted mounting feet over threaded studs in back of box. Add 1/4-20 hex nuts and tighten securely. See Figure 2. Add grounds as required.

STEP 4

Wire interior per customer specifications.

Select the necessary hub from chart below and order from your nearest ABB distributor.

Conduit hubs (require field cut openings)

Nominal Conduit Diameter in Inches	Zinc Hub	Chrome Plated Zinc Hub
	ABB Cat. No.	ABB Cat. No.
1/2"	343L647G3	343L647G17
3/4"	343L647G4	343L647G18
1"	343L647G5	343L647G19
1 1/4"	343L647G6	343L647G20
1 1/2"	343L647G7	343L647G21
2"	343L647G8	343L647G22
2 1/2"	343L647G9	343L647G23
3"	343L647G10	343L647G24
3 1/2"	343L647G11	343L647G25
4"	343L647G12	343L647G26

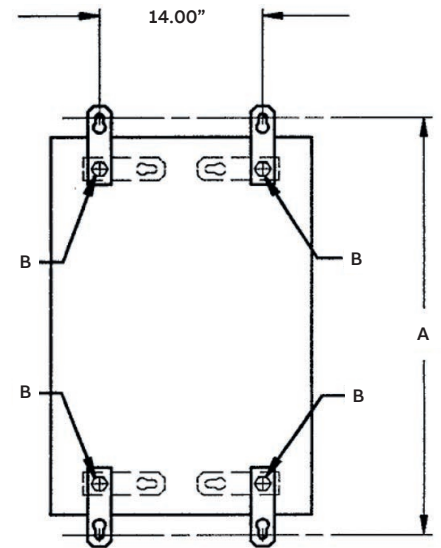


Figure 1

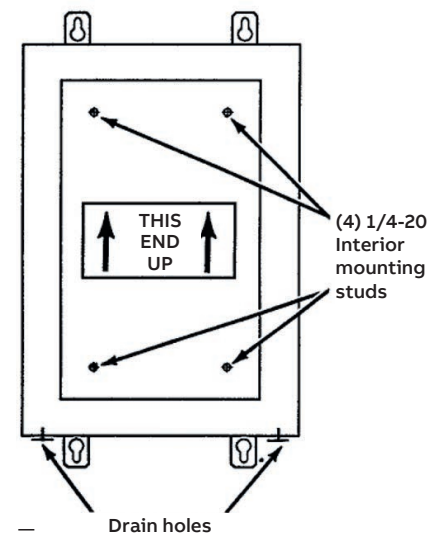
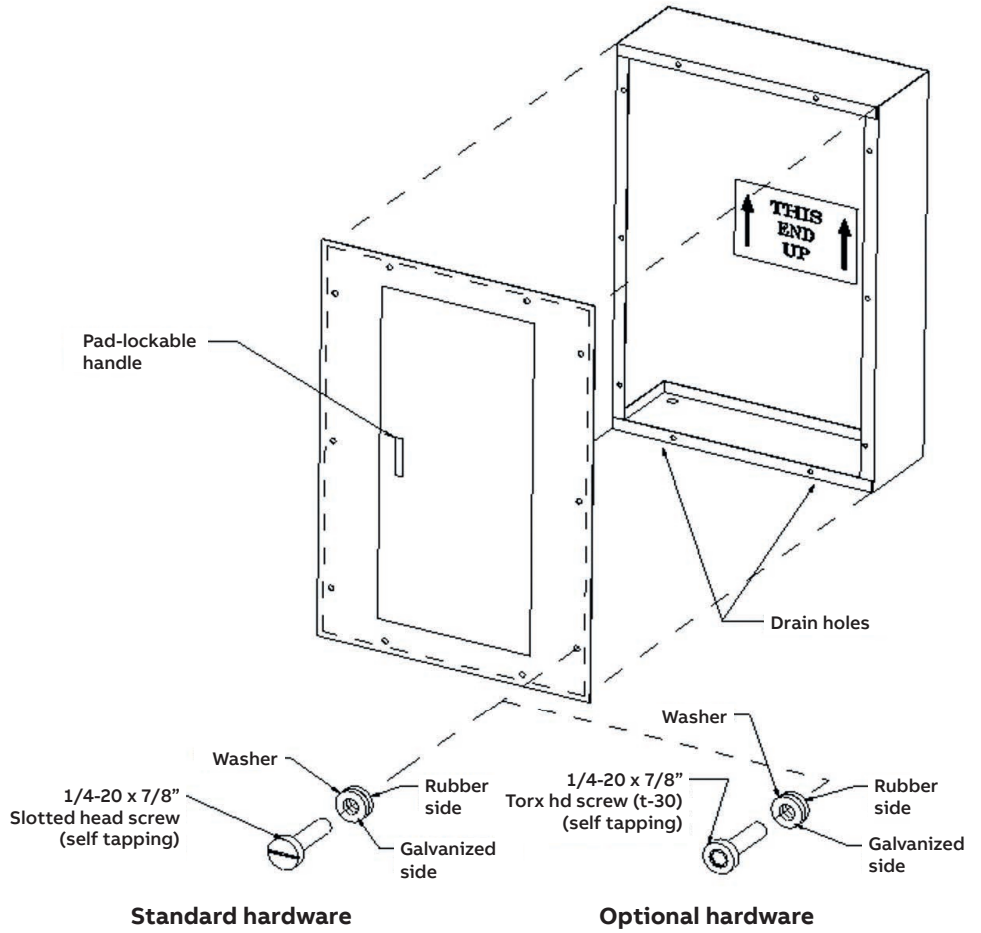


Figure 2

STEP 5

Re-mount the (gasketed) front cover to the box using the 1/4-20 screws and galvanized/rubber washers previously removed. Take care not to damage gasketing on backside of cover.



Note: Tamper resistant hardware kit is available. Order catalog number NEMATRIX.