

ReliaGear® Lighting Panelboards

Installation of Extruded Grounds

Installation Instructions

To install extruded grounds in a ReliaGear lighting panelboard enclosure:

1. Locate mounting holes in the corners of the trough. Install ground as shown in Figure 1, with (2) #10 screws provided in kit.
2. To install isolated grounds, mount ground in trough as shown in Figure 2, with #10 screws provided in kit, and connect grounds using the 250 MCM dual hole lug provided.

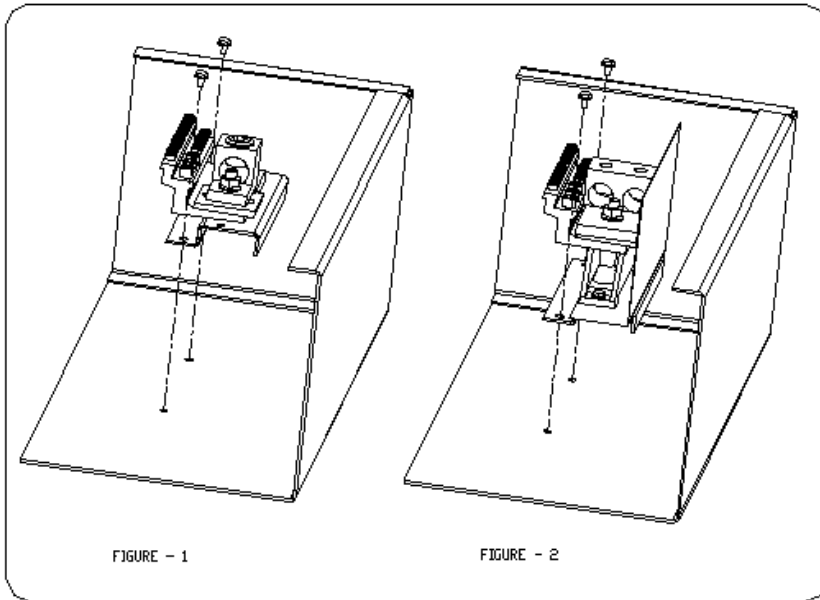


ABB Inc.
305 Gregson Drive
Cary, NC 27511

©Copyright 2020 ABB. All rights reserved.
Information provided is subject to change without notice. Please verify all details with ABB. All values are design or typical values when measured under laboratory conditions, and ABB makes no warranty or guarantee, express or implied, that such performance will be obtained under end-use conditions.
ReliaGear and Pro-Stock are registered trademarks of ABB Inc.
GE is a registered trademark used under license from General Electric company.