

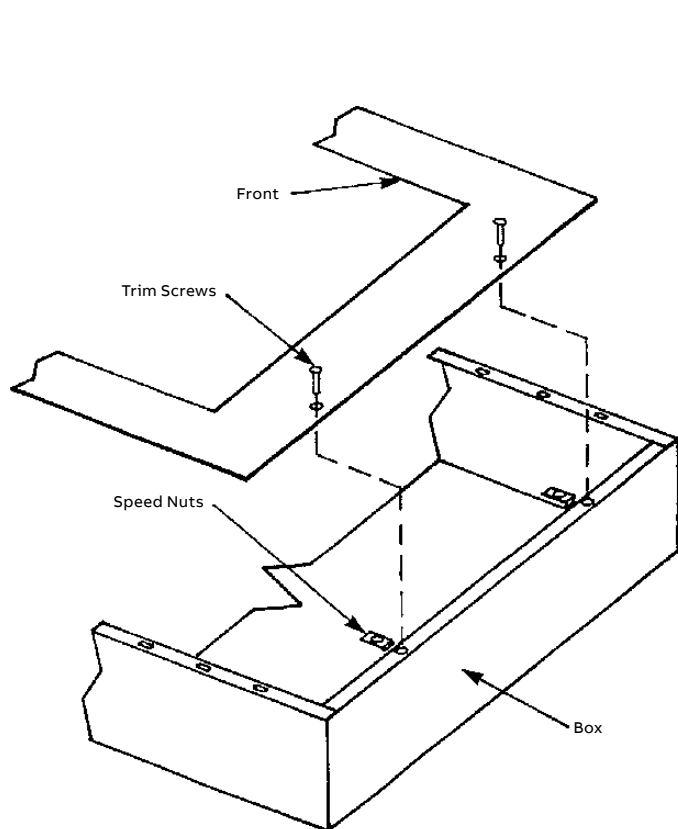
ReliaGear® Lighting Panelboards

For Screw Cover Fronts (with 5" front extension)

Screw-on Fronts

Front Attached Directly to Box

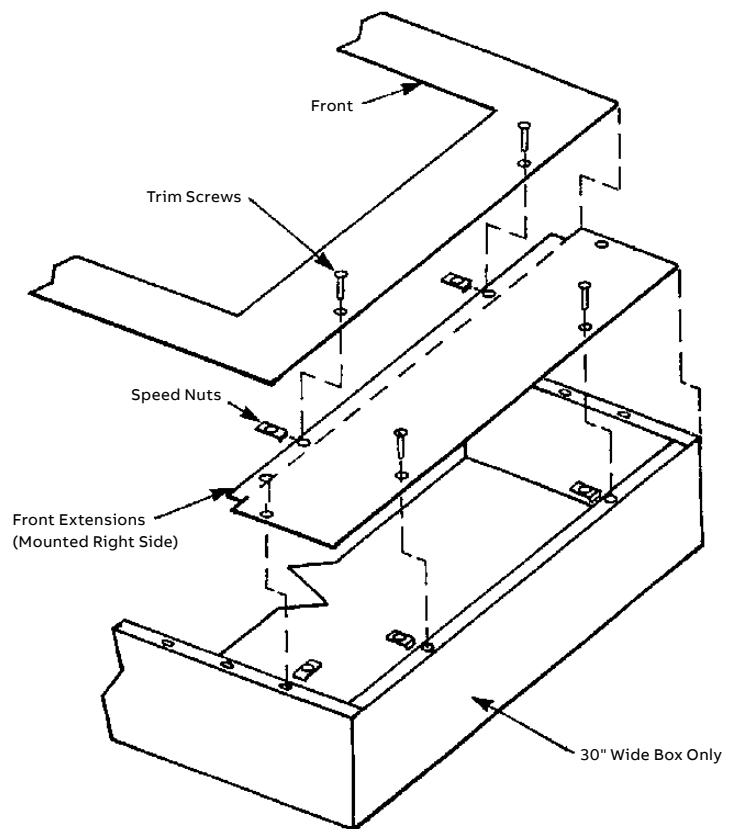
1. Push speed nuts over box flange holes as shown with nut side of clip inside of box.
2. Attach front to box with 1" long trim screws provided.



Screw-on Fronts with 5" Extensions

Front Mounted with 5" Front Gutter Extension

1. Push speed nuts over box flange holes.
2. Push speed nuts over flange holes on both extensions (left side and right side) with nut side of clips toward the inside of the box.
3. Attach front to each extension with 1" long screws. Attach front with extensions to box with 1" long trim screws.



Instructions for Mounting

Screw-on fronts with two 5" front extensions mounted to provide for a single 10" gutter.



Note:

1. Panelboard interior mounting screws in box must be moved so interior can be offset to accommodate either a left or right side mounted additional 10" gutter. Positioning of box is critical for proper orientation of 10" gutter relative to line in/load out conditions. Interior mounting screws can only be offset to one side of box.
2. Push speed nuts onto box flange and both extension flanges.
3. Orientate nuts to face into box. Bolt extensions together and attach them to the proper side of the front with 1" long trim screws.
4. Attach front with extensions to box with 1" long trim screws.

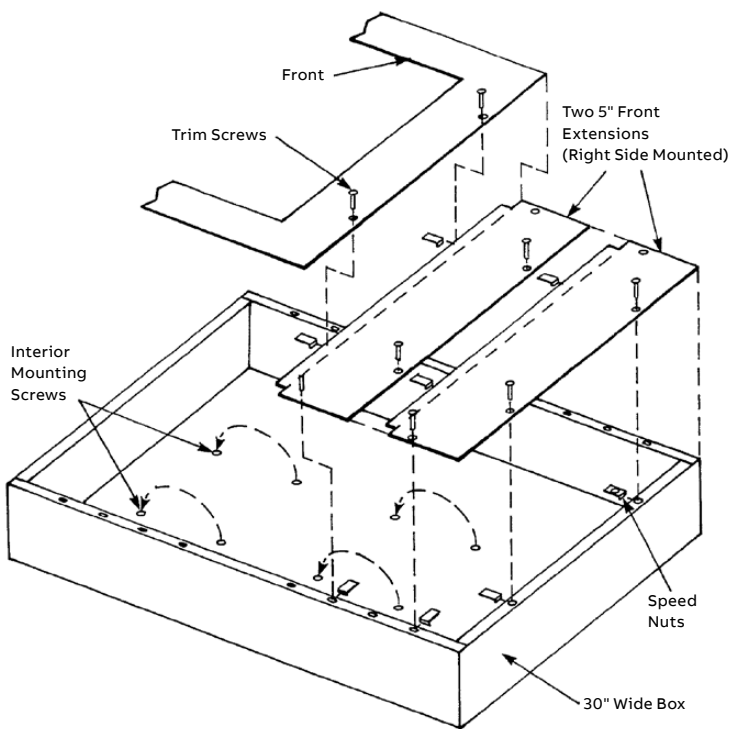


ABB Inc.
305 Gregson Drive
Cary, NC 27511

©Copyright 2020 ABB. All rights reserved.
Information provided is subject to change without notice. Please verify all details with ABB. All values are design or typical values when measured under laboratory conditions, and ABB makes no warranty or guarantee, express or implied, that such performance will be obtained under end-use conditions.
ReliaGear is a registered trademarks of ABB Inc.
GE is a registered trademark used under license from General Electric company.