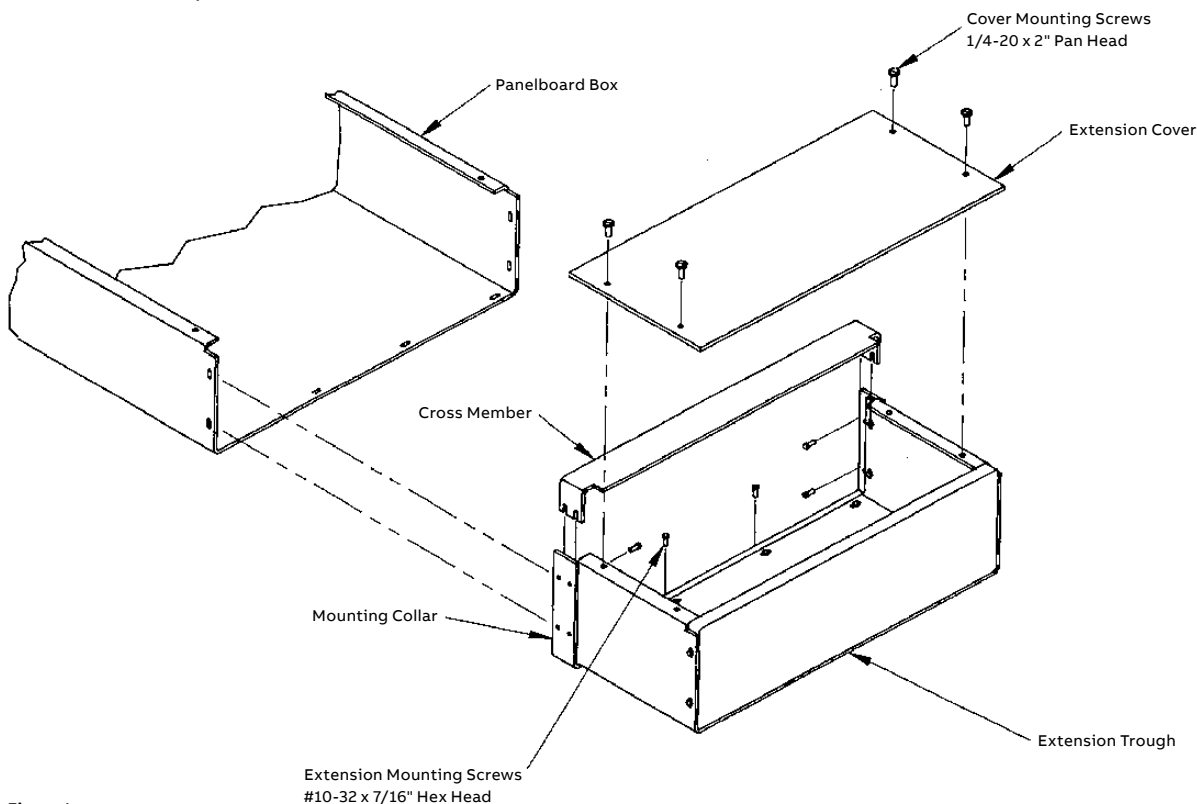


# Type ABX Box Extensions for ReliaGear® Lighting Panelboards

1. Remove box extension cover mounting screws and box extension cover.
2. Remove cross member by loosening the top (2) screws holding the cross member to the mounting collar and sliding the collar up from the extension trough. (See Figure 1)
3. Remove the existing endwall from the end of the panelboard box where the extension is to be mounted.
4. Position the extension trough onto the panelboard box with the mounting collar on the outside. Secure the extension to the box using the #10-32 x 7/16" screws provided in the hardware kit. Screws should be installed from the inside of the box and threaded into the mounting collar. The top screw on each side should be left loose to allow for mounting the cross member.
5. Install the cross member by sliding it onto the top screws. The notched portion of the cross member should extend into the box extension. (See Figure 1)  
The top surface of the cross member should be flush with the box flange. Adjust as necessary and tighten the mounting screws securely.
6. Re-install the panelboard box and extension covers.


**Note:**

**For 30" wide boxes only:** The panelboard front and front extensions must be secured to the cross member using the mounting clips and screws included in the hardware kit supplied with the 30" wide front. Slide the clips onto the cross member over the hole matching your particular application of the front extensions (2 on one side or 1 on each side). Position the panel front and secure using the 1/4-20 x 1" cover mounting screws. (See Figure 2)


**Figure 1**

## RELIAGEAR LIGHTING PANELBOARDS - TYPE ABX BOX EXTENSIONS

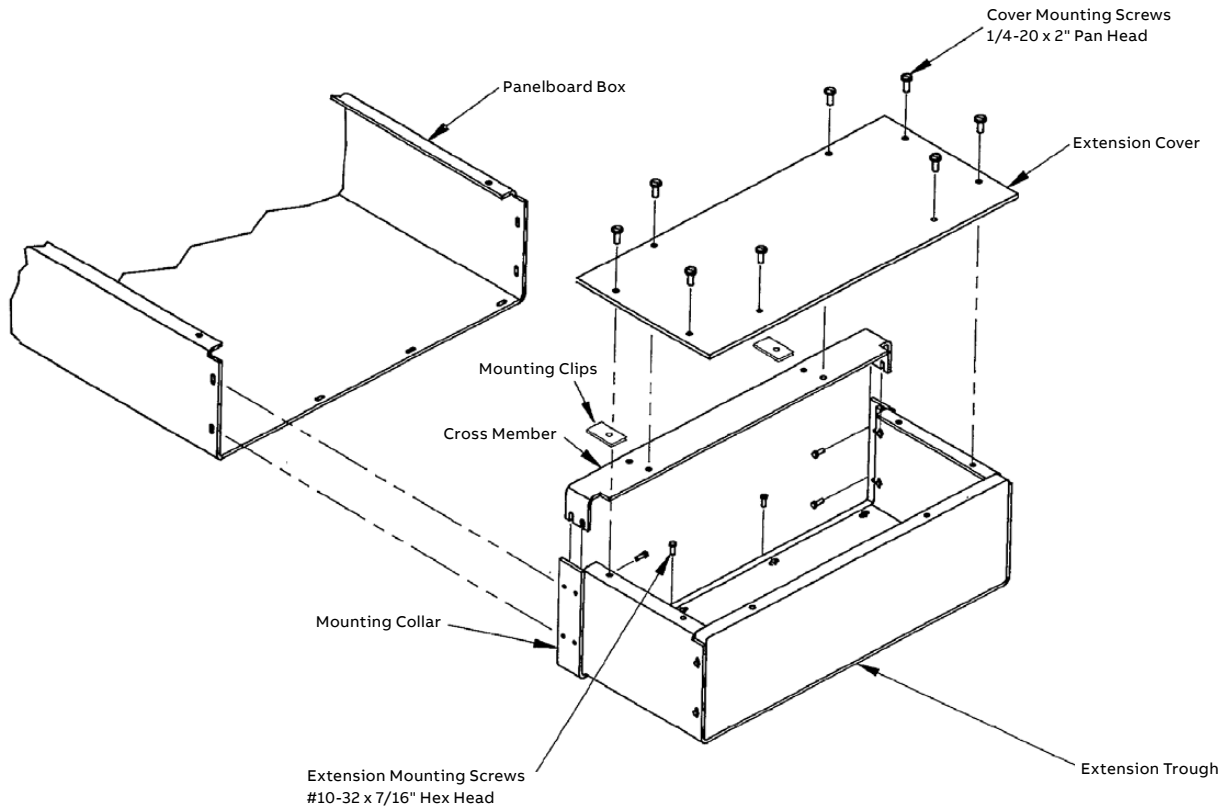


Figure 2

—  
**ABB Inc.**  
 305 Gregson Drive  
 Cary, NC 27511

©Copyright 2020 ABB. All rights reserved.  
 Information provided is subject to change without notice. Please verify all details with ABB. All values are design or typical values when measured under laboratory conditions, and ABB makes no warranty or guarantee, express or implied, that such performance will be obtained under end-use conditions.  
 ReliaGear is a registered trademarks of ABB Inc.  
 GE is a registered trademark used under license from General Electric company.