



ReliaGear® Lighting Panelboards

Permanent Circuit Markers

Catalog Numbers APN48 (Numbers 1-48)
and APN84 (Numbers 43-84)

Number of Circuits	Strip Length
12	(one) 6 in.
18	(one) 9 in.
24	(two) 6 in.
30	(one) 6 in. (one) 9 in.
36	(two) 9 in.
42	(two) 6 in. (one) 9 in.
48	(one) 6 in. (two) 9 in.

Drilling of Mounting Holes

Remove shield from panel. Using mounting strip as a template, align rectangular holes with the center of the breaker openings (KO). Mark position of the radius slot at the top and bottom of each strip. Remove the strip and drill a .098 diameter hole (#39 drill) at each mark. See Figure 1. Install marker strips according to instructions below.

Installation of Marker Strips

Insert marker into the retainer strip mounting holes next to the circuit to be identified. Form the marker legs over to secure it in the mounting strip hole. When all the required circuit markers are attached, install the retainer strip to the front shield with the #4-40 slotted hex head thread forming screws provided (2 per strip). See Figure 2.

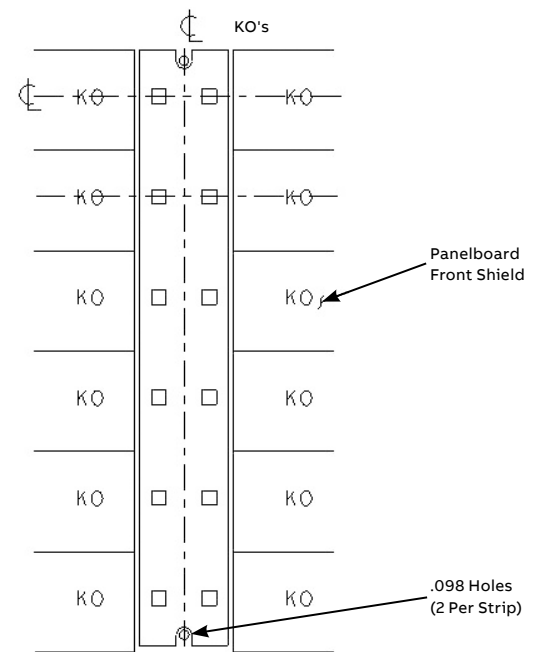


Figure 1

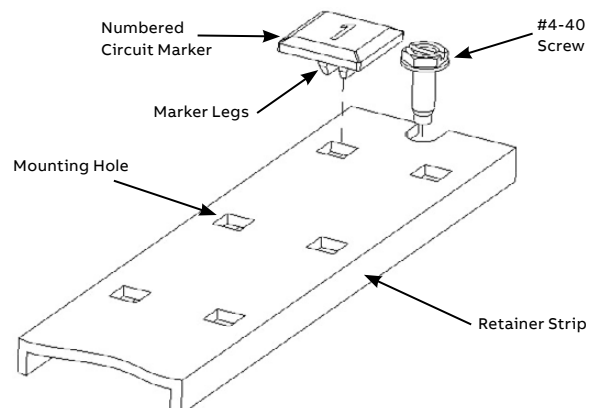


Figure 2

ABB Inc.
305 Gregson Drive
Cary, NC 27511

©Copyright 2020 ABB. All rights reserved.
Information provided is subject to change without notice. Please verify all details with ABB. All values are design or typical values when measured under laboratory conditions, and ABB makes no warranty or guarantee, express or implied, that such performance will be obtained under end-use conditions.
ReliaGear is a registered trademarks of ABB Inc.
GE is a registered trademark used under license from General Electric company.