



ReliaGear® Lighting Panelboard

NEMA 3R, 12 and 4/4X Enclosure Style II

Step 1.

- Remove the cover from the box. Save all mounting hardware.

Step 2.

- Loosen the four 5/16 - 18 x 7/16 hex head screws (shown marked as "B"), retaining mounting tabs on back of enclosure.
- Rotate mounting tabs 90° to position shown and tighten screws securely. See Figure 1.
- Mount enclosure to area designated, orient top of enclosure as indicated in Figure 2. For NEMA 3R and 12 applications, plug drain holes (bottom of enclosure) with hardware provided.

Step 3.

- Install interior assembly by placing key-slotted mounting feet over threaded studs in back of box. Add 1/4-20 hex nuts and tighten securely. See Figure 2. Add grounds as required.

Step 4.

- Wire interior per customer specifications.

Conduit Hubs (Require Field Cut Openings)

Select the necessary hub from chart below and order from your nearest ABB distributor.

Nominal Conduit Diameter in Inches	Zinc Hub Catalog #	Chrome Plated Zinc Hub Catalog #
1/2"	343L647G3	343L647G17
3/4"	343L647G4	343L647G18
1"	343L647G5	343L647G19
1 1/4"	343L647G6	343L647G20
1 1/2"	343L647G7	343L647G21
2"	343L647G8	343L647G22
2 1/2"	343L647G9	343L647G23
3"	343L647G10	343L647G24
3 1/2"	343L647G11	343L647G25
4"	343L647G12	343L647G26

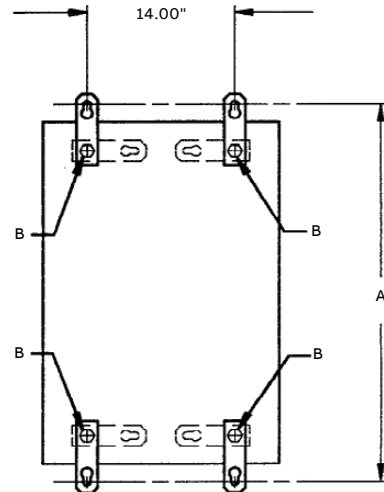


Figure 1

Box Size	Dimension A
25 1/2"	28"
31 1/2"	34"
37 1/2"	40"
43 1/2"	46"
49 1/2"	52"
55 1/2"	58"
64 1/2"	67"
76 1/2"	79"
82 1/2"	85"
88 1/2"	91"

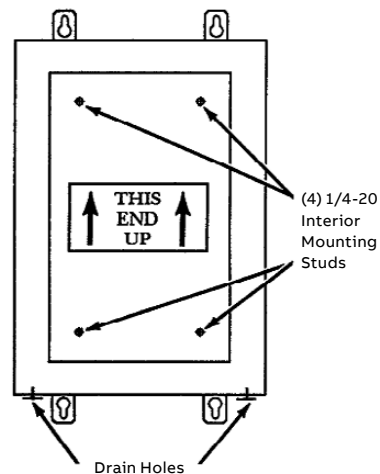
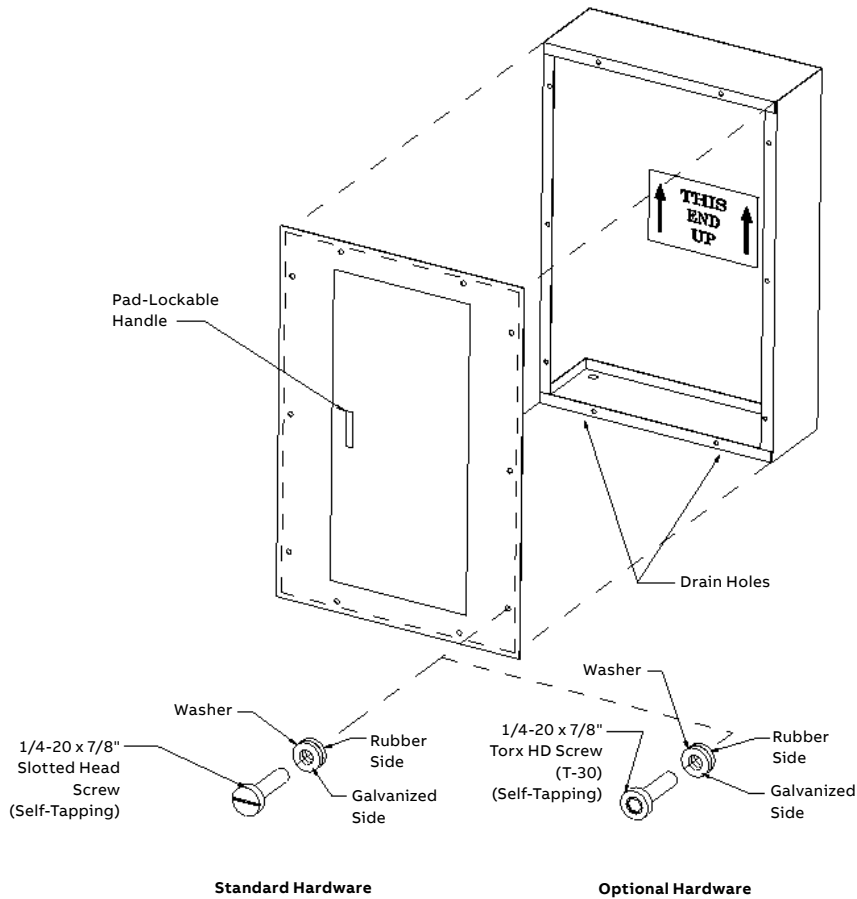


Figure 2

Step 5.

- Re-mount the (gasketed) front cover to the box using the 1/4-20 screws and galvanized/rubber washers previously removed. See Figure 3. Take care not to damage gasketing on backside of cover.

**Figure 3**

Tamper Resistant Hardware Kit is available by ordering Catalog No. NEMATRIX