

Installation Instructions for ASP2WRELAY



WARNING: Danger of electrical shock or injury. Turn OFF power ahead of the panelboard or switchboard before working inside the equipment or removing any component. Do not remove circuit protective devices or any other component until the power is turned OFF.

Installation for relay with 30 Amp through 125 Amp contactor mains:

1. Fasten relay to mounting bracket with #8-32 screws provided in kit.
2. Position mounting bracket in available location on rail with relay in outboard position as shown in Figure 1 and secure with #10-32 screws provided, as shown in Figure 1a.

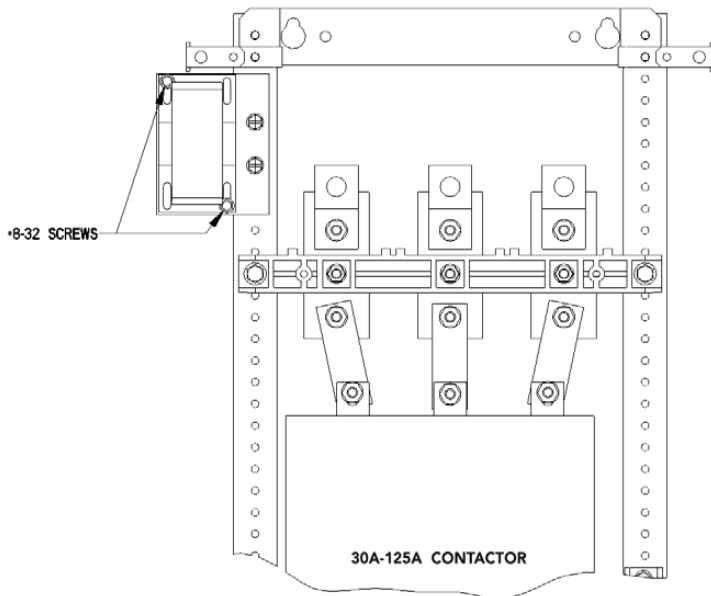


Figure 1

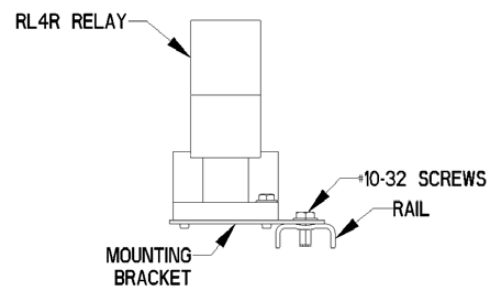


Figure 1a

Installation for relay with 225 Amp contactor mains:

1. Fasten relay to mounting bracket with #8-32 screws provided in kit.
2. Position mounting bracket in available location on rail with relay in inboard position as shown in Figure 2, or if preferred, in outboard position as shown in Figure 1. Secure with #10-32 screws provided, as shown in Figure 2a.

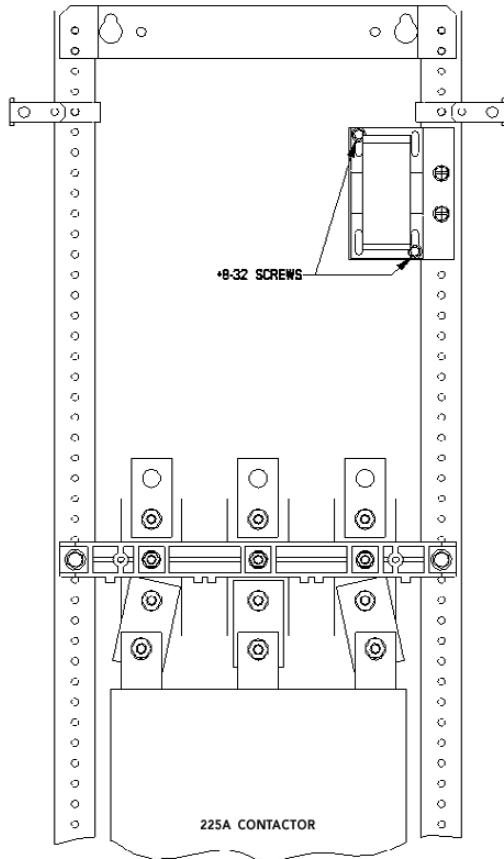


Figure 2

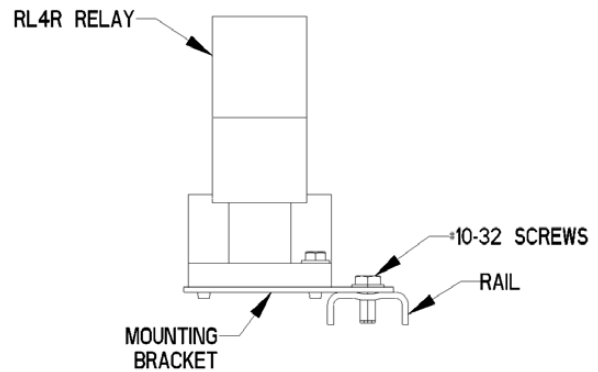


Figure 2a