


INSTALLATION INSTRUCTIONS

ReliaGear™ Pro-Stock™ lighting panelboards

ReliaGear Pro-Stock main and/or sub-feed for the Tmax® XT4 and Formula® A2 breaker kits with interiors manufactured before 4th week of 2021

Introduction

These instructions describe the modification to an AQ Pro Stock interior or any Pro Stock interior supplied before the fourth week of 2021 and the installation of an insulation barrier (supplied with the kit) for using with the below list of Pro-Stock main and/or subfeed breaker kits. Omega barrier is required on all AQ Pro Stock interiors and all Pro Stock interiors built before the fourth week of 2021.

ReliaGear Pro-Stock breaker kit SKUs:

- MBA16
- MBB33
- MBB33WB
- MBB13WB
- MBB36
- MBB36WB
- MBB16WB

List of parts required and supplied with all the above SKUs.

Item #	Description	Part #	Qty.	Figure
1	Omega barrier	30016895488P8	1	1
2	Plastic rivets (in poly bag)	315A7371P3	10	2

Figure 1. Omega barrier

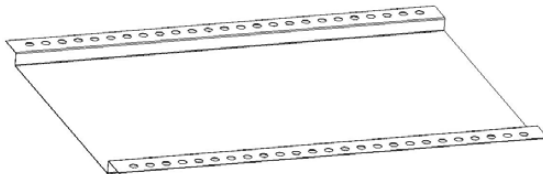
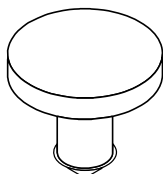


Figure 2. Plastic rivet



Date Code print location and format

Plant code	Year	FW	Decade
ME	1	04	@



Decade code reference

Decade	Symbol
2000	&
2010	!
2020	@



DANGER: Hazard of electrical shock or burn.
Turn off power before working inside this equipment.

Installation

Pro-Stock kit illustrated is for representation only and instructions are valid for any of the ReliaGear Pro-Stock SKUs listed on page 1.

The kit is supplied with 10 plastic rivets, part number 315A7371P3. Six of them are enough to secure the insulation, but extra have been provided if required.



WARNING: Before attempting to install this kit, turn off all power supplying the panelboard.

Figure 3 shows some key components of the interior that will be referred in this instruction sheet. (Some components are removed for clarity.)

Step 1

Access the interior flat barrier that is mounted between the "U" rails and support busbar in Figure 4.

Use scissors to make a slit at 2 locations as shown in Figure 4. Cut the barrier all the way down to the busbar support.

(Step 1A)

Modification for 225A panel only.

Cut off the first 4 holes along each side of one end of the barrier to make the barrier into a "T" shape. Remove the shield supports from panel end omega barrier is installed on Slide "T" end of omega barrier under neutral crossover strap. Reinstall shield supports in the same location they were removed from.

Step 2

Use omega barrier [Item #1]. Align it so the first holes will be aligned with the first available holes on the "U" rails after the busbar support as shown in Figure 5, 6, and 8.

Step 3

Use plastic rivets [Item #2] from the poly bag. At least 6 rivets are required. Install 4 rivets close to the busbar support on each side of the shield support and 2 rivets on the side of the omega barrier farthest away from the busbar support. If the omega barrier is not seated properly, install up to 4 extra plastic rivets (Figure 6).

The flat barrier will sit under the omega barrier and against the back of the enclosure after installation.

Figure 7 shows the locations indicated for the plastic rivets [Item #2].

Step 4

Then install the ReliaGear Pro-Stock kit following the instructions provided with it (Figure 8).

Figure 3. Typical installation of a ReliaGear Pro-Stock kit into a legacy A-Series® Pro-Stock interior.

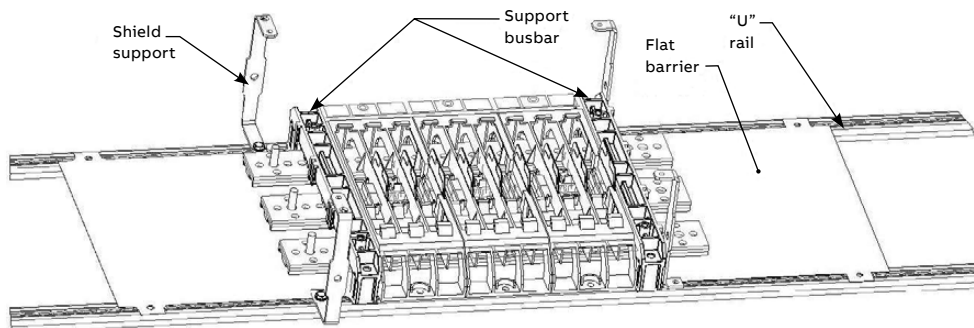


Figure 4. Trim along the imaginary dotted line on the flat barrier.

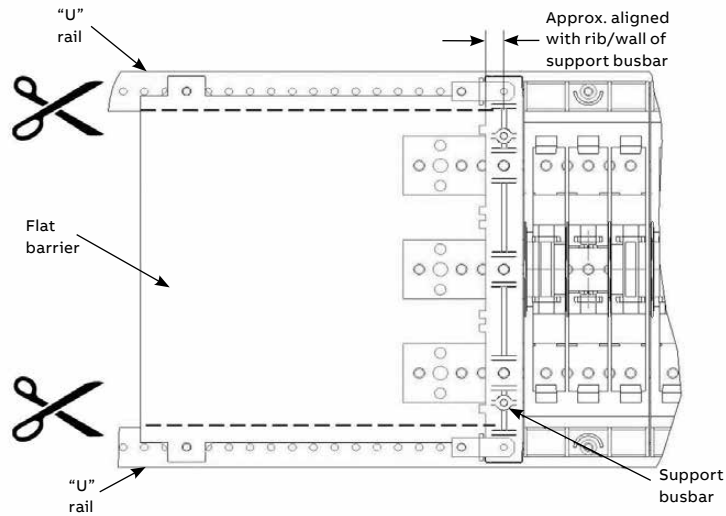


Figure 5. Omega barrier [Item #1] alignment.

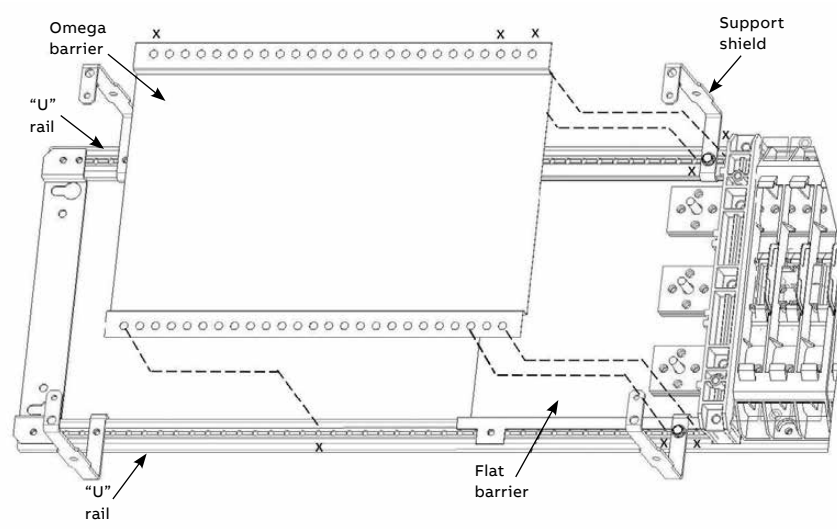


Figure 6. Omega barrier [Item #1] installed in the interior.

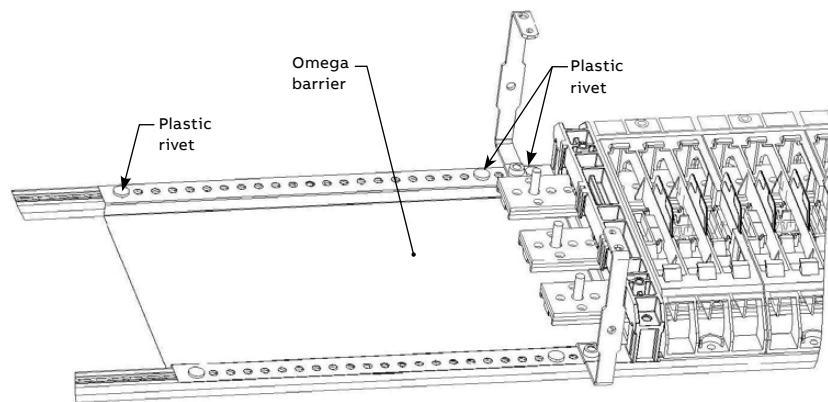


Figure 7. Final installation of rivets and omega barrier shown.

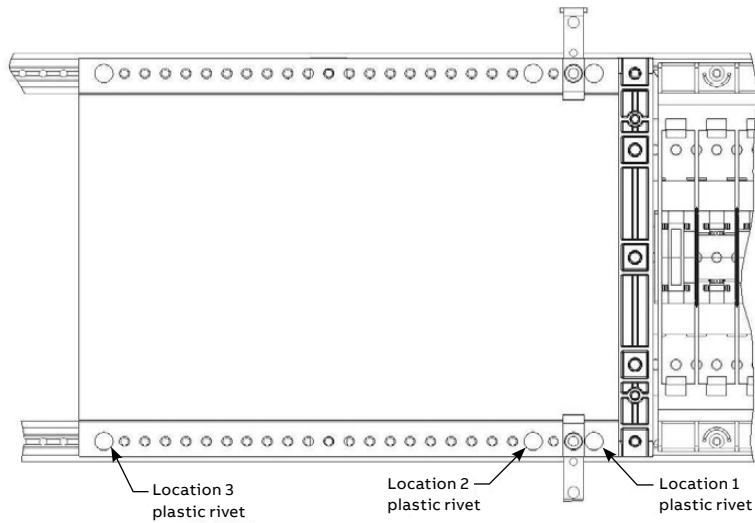


Figure 8. Final installation of breaker and omega barrier shown.

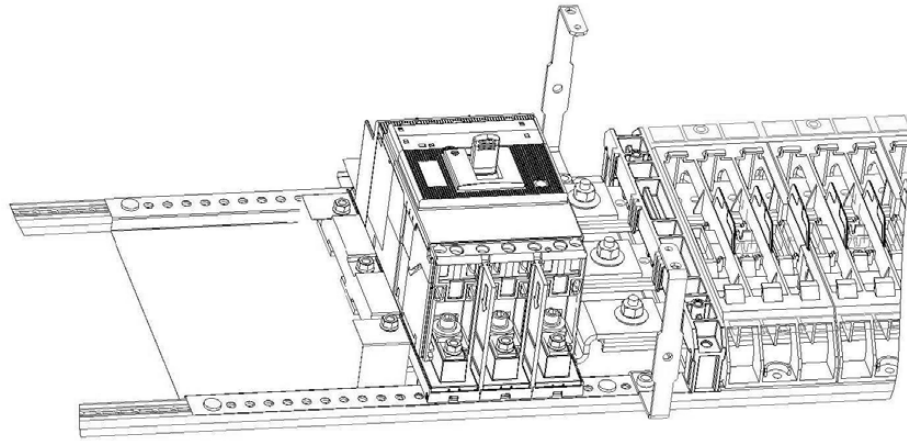


ABB Inc.
305 Gregson Drive
Cary, NC 27511

electrification.us.abb.com

**GE is a trademark of GE.
Manufactured by ABB Ltd under license
from General Electric Company.**

We reserve the right to make technical changes or modify the contents of this document without prior notice. With regard to purchase orders, the agreed particulars shall prevail. ABB Inc. does not accept any responsibility whatsoever for potential errors or possible lack of information in this document.

We reserve all rights in this document and in the subject matter and illustrations contained therein. Any reproduction, disclosure to third parties or utilization of its contents – in whole or in parts – is forbidden without prior written consent of ABB Inc. Copyright © 2021 ABB
All rights reserved

ReliaGear and Pro-Stock are trademarks and Tmax, Formula and A-Series are registered trademarks of ABB Inc.