

NOTES:


- 1) Bypass and Rectifier input must be connected with clockwise phase rotation.
- 2) For eBoost operating mode, the Bypass input must be fed from a grounded-WYE electrical system(4 Wire+Ground). Consult factory for 3-wire Input sytem.
- 3) UPS is configured for single input as standard. A dual input option is available. Please contact General Electric for additional information.
- 4) An external battery breaker must be provided that includes a 24VDC undervoltage release and Aux contacts.
- 5) DC over current protection sized to support maximum DC current.
- 6) UPS designed for installation in an electrical system with 65kA available fault current (100kA Optional).
- 7) Assumes minimum 100% rated circuit breaker. Verify size for application of 80% rated breaker.

The AC values below are current ratings per phase.
 These maximum and nominal ratings should be considered when choosing the appropriate AC over current protection device.
 NEC(National Electric Code) Section 210-20a rules must be applied.
 DC current rating is the maximum battery discharge current which the UPS allows.

Module	AC Input Rectifier		AC Input Bypass	AC Input		DC Input F4 (See Note 4&5)
	Nom.	Max.	F2	F3		
750kVA With 5th filter	920A	1103A	902A	Nom. 920A	Max. 1103A	1512A
750kVA With 5th and 11th filters	900A	1080A	902A	902A	1080A	1512A

Size of Branch circuit over current protection – All Models: –
 "CAUTION – To Reduce the risk of fire, only connect UPS to the circuit provided with (see below) Maximum amperes branch circuit over current protection in accordance with the NEC, NSI/NFPA 70"

Module	AC Input rectifier	AC Input Bypass	AC Input	DC Input F4 (See Note 4&5)
	F1 (Note. 7)	F2 (Note. 7)	F3 (Note. 7)	
750kVA With 5th filter	1200A	1000A	1200A	2000A
750kVA With 5th and 11th filters	1200A	1000A	1200A	2000A



GENERAL ELECTRIC COMPANY

ELECTRICAL DETAIL

SG Series Uninterruptible Power Supply (UPS)

750kVA UL listed with eBoost™ techonology

6-Pulse Rectifier

FIRST MADE FOR: ---

SIZE: **B**

CAGE CODE: ---

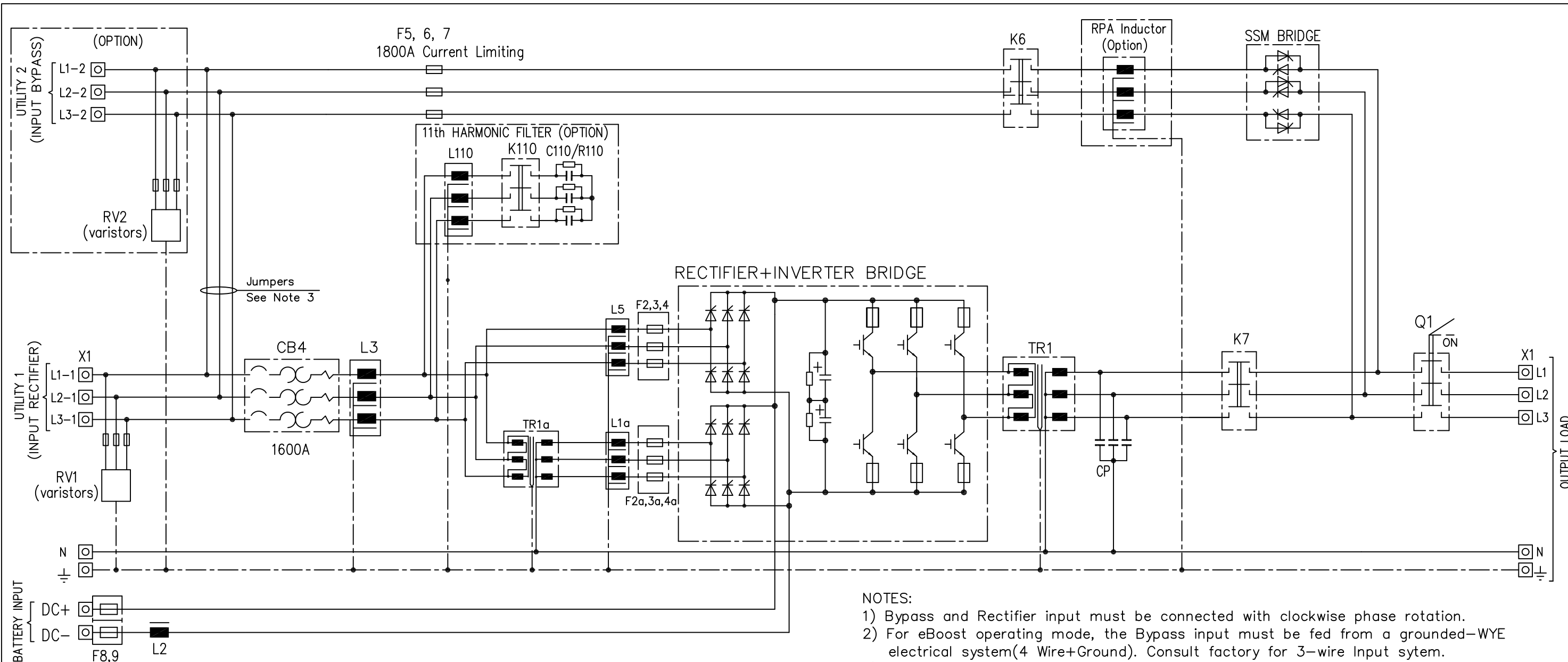
DWG NO: **202 00087 01**

REV: 3.0

SCALE: N.T.S

DWG Date: 06/04/2012

SHEET: 1 of 2



NOTES:


- 1) Bypass and Rectifier input must be connected with clockwise phase rotation.
- 2) For eBoost operating mode, the Bypass input must be fed from a grounded-WYE electrical system(4 Wire+Ground). Consult factory for 3-wire Input sytem.
- 3) UPS is configured for single input as standard. A dual input option is available. Please contact General Electric for additional information.
- 4) An external battery breaker must be provided that includes a 24VDC undervoltage release and Aux contacts.
- 5) DC over current protection sized to support maximum DC current.
- 6) UPS designed for installation in an electrical system with 65kA available fault current (100kA Optional).
- 7) Assumes minimum 100% rated circuit breaker. Verify size for application of 80% rated breaker.

The AC values below are current ratings per phase.
 These maximum and nominal ratings should be considered when choosing the appropriate AC over current protection device.
 NEC(National Electric Code) Section 210-20a rules must be applied.
 DC current rating is the maximum battery discharge current which the UPS allows.

Module	AC Input rectifier		AC Input Bypass	AC Input		DC Input F4 (SEE NOTE 4&5)
	F1	F2	F3	Max.		
750kVA-12pulse	Nom. 1082A	Max. 1306A	902A	Nom. 1082A	Max. 1306A	1512A
750kVA-12Pulse With 11th filter	1032A	1245A	902A	1032A	1245A	1512A

Size of Branch circuit over current protection – All Models: –
 "CAUTION – To Reduce the risk of fire, only connect UPS to the circuit provided with (see below) Maximum amperes branch circuit over current protection in accordance with the NEC, NSI/NFPA 70"

Module	AC Input rectifier	AC Input Bypass	AC Input	DC Input F4 (See Note 4&5)
	F1 (Note. 7)	F2 (Note. 7)	F3 (Note. 7)	
750kVA-12pulse	1600A	1000A	1600A	2000A
750kVA-12Pulse With 11th filter	1600A	1000A	1600A	2000A



GENERAL ELECTRIC COMPANY

ELECTRICAL DETAIL
 SG Series Uninterruptible Power Supply (UPS)
 750kVA UL listed with eBoost™ techonology
 12-Pulse Rectifier

FIRST MADE FOR: ---

SIZE: **B**

CAGE CODE: ---

DWG NO: **202 00087 01**

SCALE: N.T.S

DWG Date: 06/04/2012

SHEET: 2 of 2

REV: 3.0