

14

13

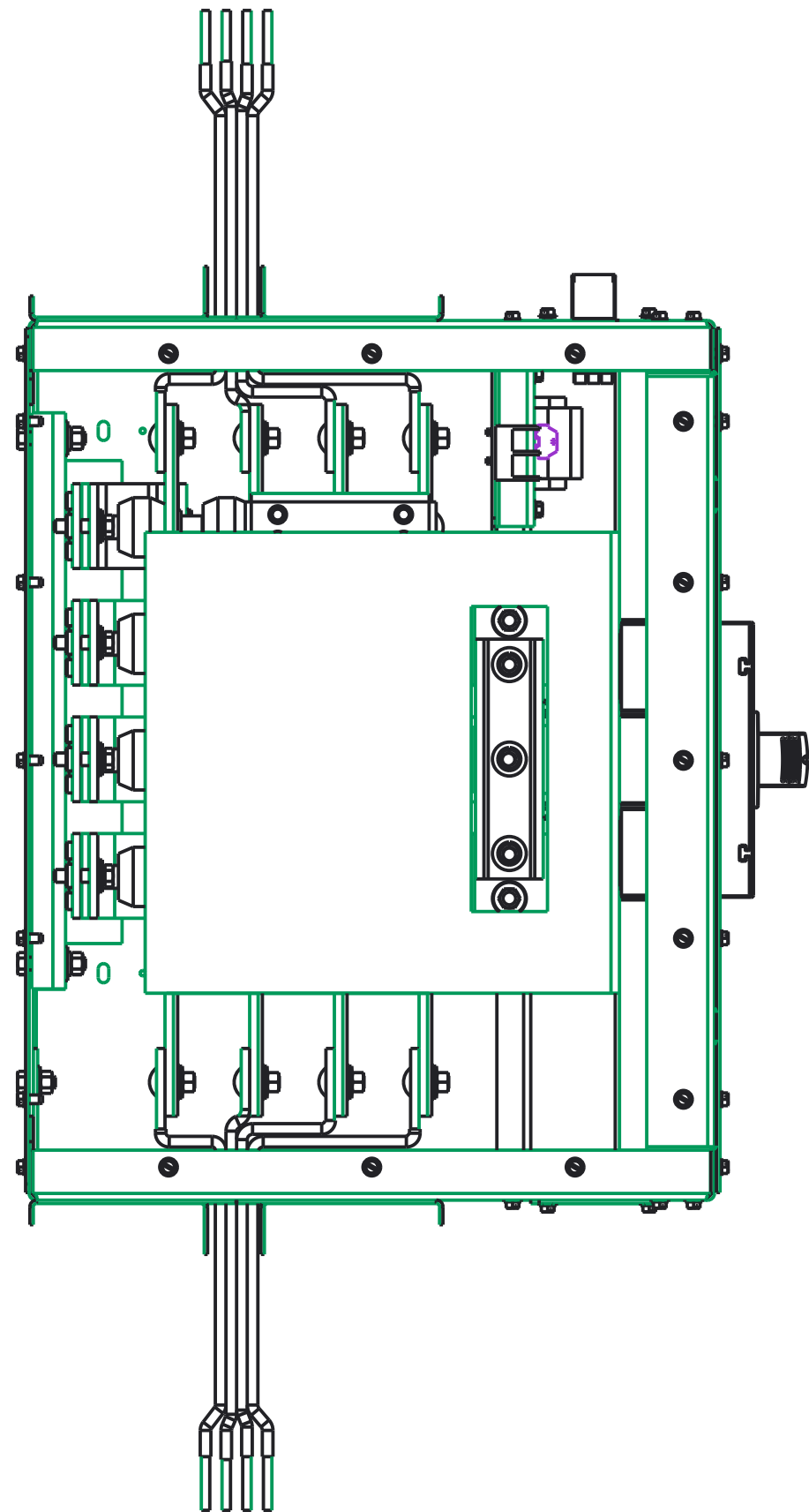
12

11

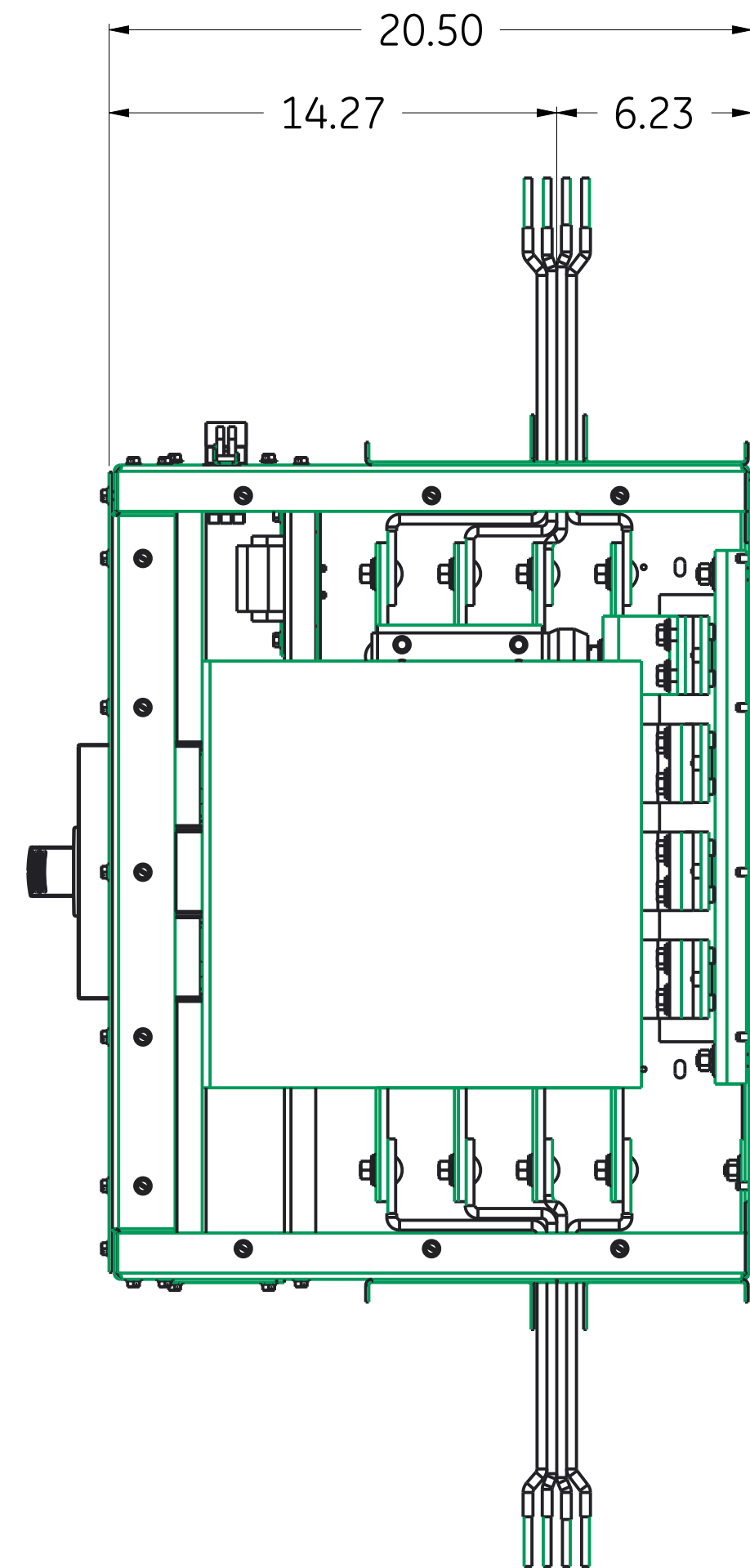
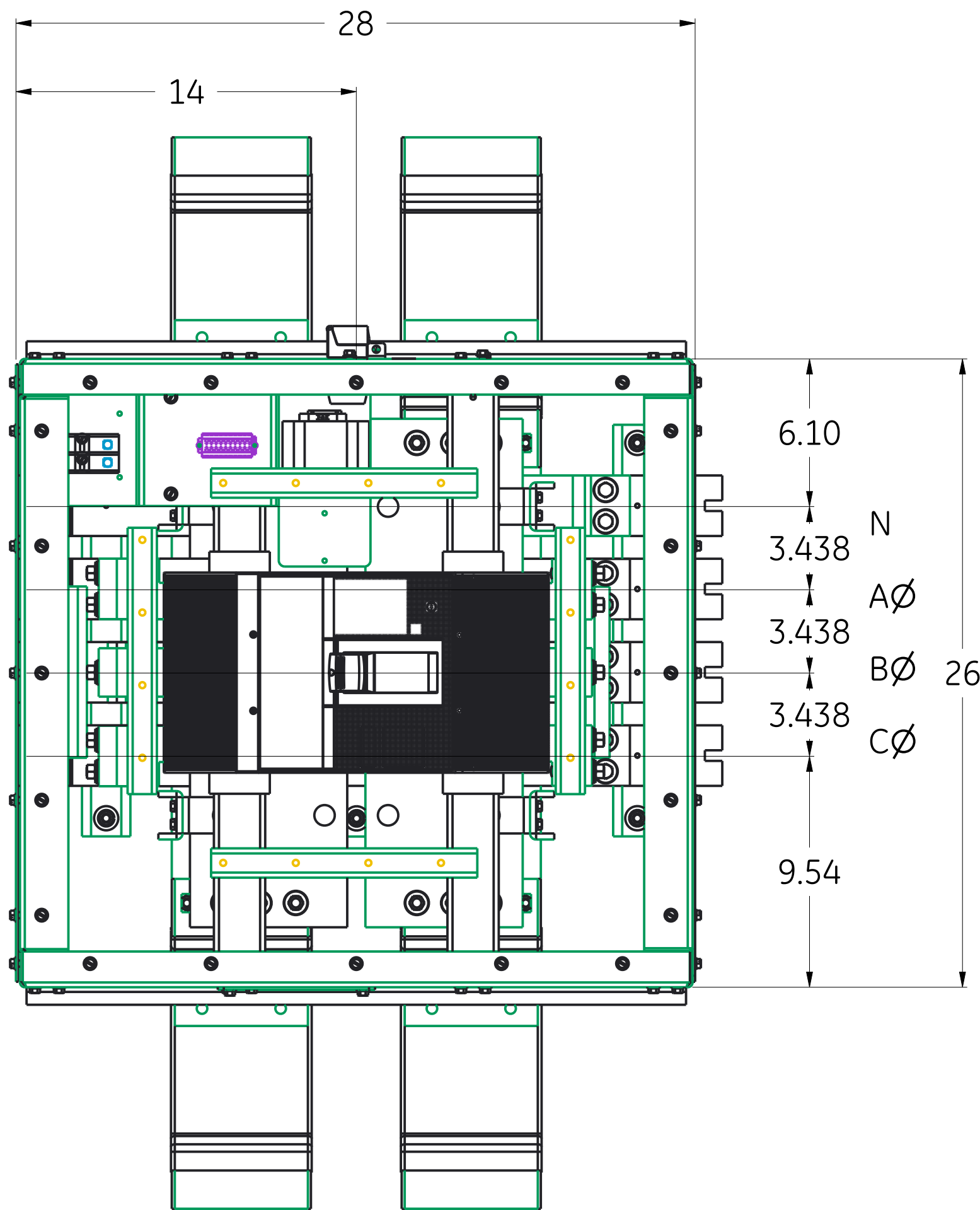
NOTES: UNLESS OTHERWISE SPECIFIED

- 1. REFER TO CAD MODEL FOR ALL FEATURES NOT SPECIFICALLY REFERENCED OR DETAILED.
- 2. GEOMETRIC DIMENSIONING & TOLERANCING AS PER ASTM Y14.5 2009.

3D Model is the Master Document of Record
 Article or Material Must Conform to REACH Procedure S900000 Sec.14
 Article or Material Must Conform to ROHS Procedure S900000 Sec.13
 Part Must Conform to S900000 Sec.4 Toxicity Procedure
 Geometric Dimensioning & Tolerancing as per ASME Y14.5-2009



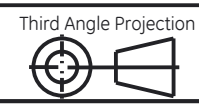
LINE END SIDE



LOAD END SIDE

- G101 INDOOR, W/ RELT
- G102 SPLASHPROOF, W/ RELT
- G103 INDOOR
- G104 SPLASHPROOF

ABB PROPRIETARY AND CONFIDENTIAL INFORMATION
 The information contained in this document has to be kept strictly confidential. Its disclosure is strictly forbidden. ABB reserves all rights regarding Intellectual Property Rights.
 Copyright 2021 ABB. All rights reserved.



DRAWING FILE 212C5770G		MODEL FILE 212C5770G101		ABB	
DATE MODIFIED 13-Jul-22 09:56:56 AM		DESIGNED BY ANKUR DAS			
Calculated for: VOLUME 0.000 in^3		C/N# C144014 Critical to Quality Characteristic		TITLE ASM, METER MOD, XT-7, 4000A (CU)	
MASS 0.000 lbm		MATERIAL SPECIFICATION NA		FINISH SPECIFICATION NA	
UNLESS OTHERWISE SPECIFIED		MATERIAL DESCRIPTION NA		LOCAL TITLE METER MOD	
TOLERANCE ON: 1 PL DECIMALS ± 0.1 2 PL DECIMALS ± 0.02 3 PL DECIMALS ± 0.005 ANGLES ± 1.0		FINISH DESCRIPTION NA		SCALE NONE	
		MATERIAL SPECIFICATION NA		UNITS in	
		FINISH SPECIFICATION NA		LOCAL TITLE METER MOD	
		MATERIAL DESCRIPTION NA		ROOT NUMBER 212C5770G	
		FINISH DESCRIPTION NA		REV 3	
				RELEASE STATE Released	
				SHEET 1 of 5	
				PRODUCT LINE ReliaGear busway	

D

C

B

A

24

23

22

21

LINE SIDE

LOAD SIDE

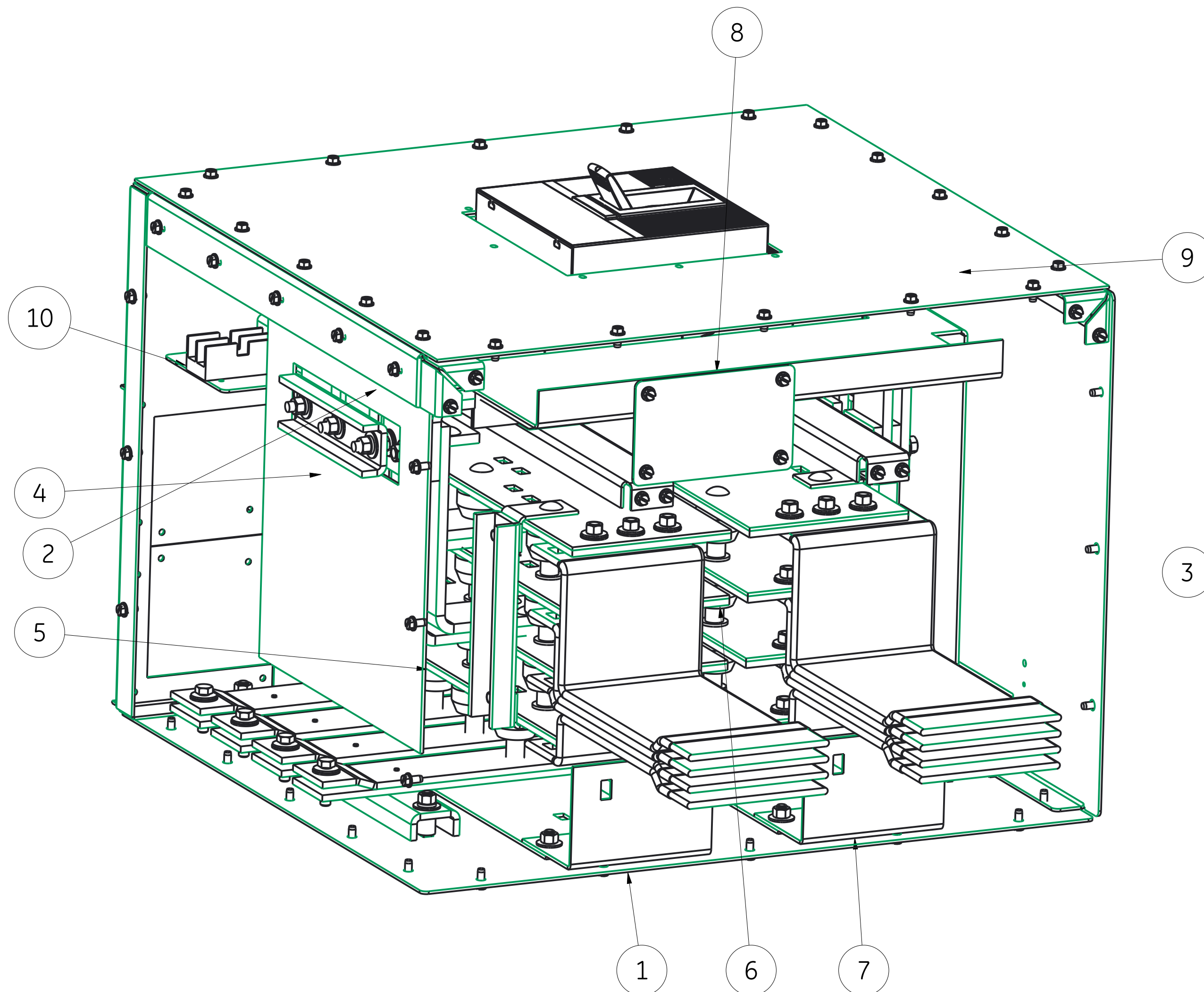


ABB PROPRIETARY AND CONFIDENTIAL INFORMATION
 The information contained in this document has to be kept strictly confidential. Any unauthorized use, reproduction, distribution or disclosure to third parties is strictly forbidden. ABB reserves all rights regarding Intellectual Property Rights. Copyright 2021 ABB. All rights reserved.

SEE TABLE ON SHEET 4 & 5
 FOR ALL AMP RATING/BAR WIDTH

10	1	212C5791G102	RELT ASSEMBLY
9	1	212C5780P101	COVER, LEXAN
8	1	212C5778P101	RELT COVER
7	1	212C5777G101	ASM, GROUND
6	1	212C5776G101	ASM, NEUTRAL
5	1	212C5774G101	ASM, METER MOD CONNECTION
4	1	212C5772G101	ASM, COLLECTOR PLATE, PHASE & NEUTRAL, 4000A
3	1	212C5766G101	ASM, LOAD END STRAPS
2	1	212C5762G101	ASM, LINE END STRAPS
1	1	212C5749G101	ASM, ENCLOSURE
ITEM	QTY	MODEL NAME	MAIN TITLE

BILL OF MATERIALS

SIZE	C	NUMBER	212C5770G	REV	3
SCALE	3:10	PRODUCT LINE	ReliaGear busway	SHEET	2 of 5

ABB



34

33



32

31

D

C



B

A

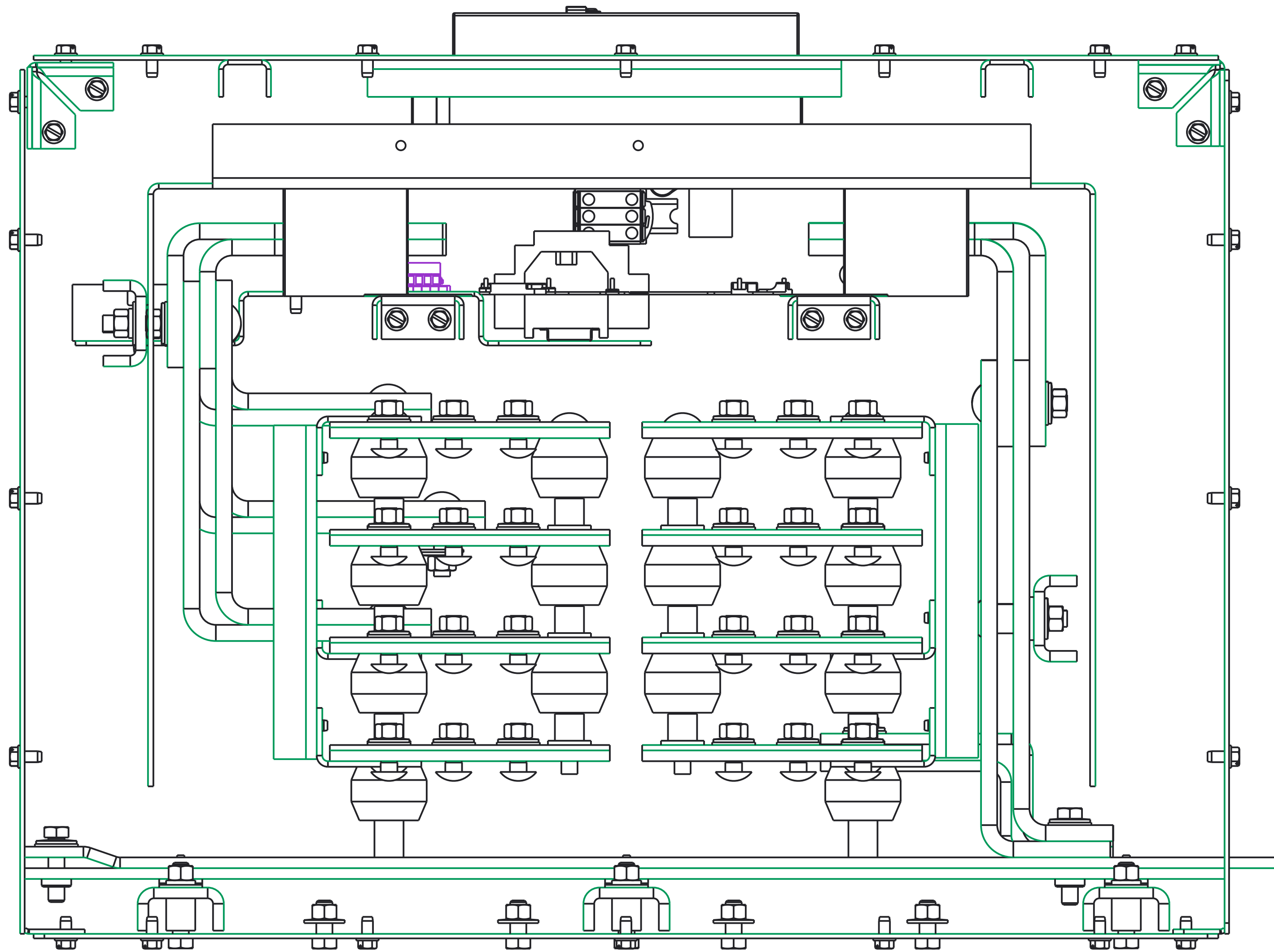


ABB PROPRIETARY AND CONFIDENTIAL INFORMATION
 This information contained in this document has to be kept strictly confidential.
 Any unauthorized use, reproduction, distribution or disclosure to third parties is strictly forbidden.
 ABB reserves all rights regarding Intellectual Property Rights.
 Copyright 2021 ABB. All rights reserved.

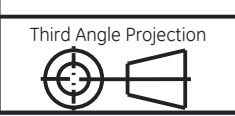


ABB		
SIZE C	NUMBER 212C5770G	REV 3
SCALE 1:2	PRODUCT LINE ReliaGear busway	SHEET 3 of 5



GROUP NO.	BAR WIDTH	GROUP NO.					DESCRIPTION.
		ITEM 1	ITEM 4	ITEM 6	ITEM 7	ITEM 10	
212C5770G101	5.750(2)	212C5749G101	212C5772G101	212C5776G101	212C5777G101	212C5791G101	INDOOR, RELT
212C5770G102	5.750(2)	212C5749G102	212C5772G101	212C5776G101	212C5777G101	212C5791G101	SPLASHPROOF, RELT
212C5770G103	5.750(2)	212C5749G101	212C5772G101	212C5776G101	212C5777G101	--	INDOOR
212C5770G104	5.750(2)	212C5749G102	212C5772G101	212C5776G101	212C5777G101	--	SPLASHPROOF
212C5820G101	7.500(2)	212C5749G109	212C5772G103	212C5776G102	212C5777G103	212C5791G101	INDOOR, RELT
212C5820G102	7.500(2)	212C5749G110	212C5772G103	212C5776G102	212C5777G103	212C5791G101	SPLASHPROOF, RELT
212C5820G103	7.500(2)	212C5749G109	212C5772G103	212C5776G102	212C5777G103	--	INDOOR
212C5820G104	7.500(2)	212C5749G110	212C5772G103	212C5776G102	212C5777G103	--	SPLASHPROOF
212C5821G101	8.250(2)	212C5749G105	212C5772G107	212C5776G101	212C5777G109	212C5791G101	INDOOR, RELT
212C5821G102	8.250(2)	212C5749G106	212C5772G107	212C5776G101	212C5777G109	212C5791G101	SPLASHPROOF, RELT
212C5821G103	8.250(2)	212C5749G105	212C5772G107	212C5776G101	212C5777G109	--	INDOOR
212C5821G104	8.250(2)	212C5749G106	212C5772G107	212C5776G101	212C5777G109	--	SPLASHPROOF
212C5892G101	6.500(2)	212C5749G113	212C5772G106	212C5776G102	212C5777G107	212C5791G101	INDOOR, RELT
212C5892G102	6.500(2)	212C5749G114	212C5772G106	212C5776G102	212C5777G107	212C5791G101	SPLASHPROOF, RELT
212C5892G103	6.500(2)	212C5749G113	212C5772G106	212C5776G102	212C5777G107	--	INDOOR
212C5892G104	6.500(2)	212C5749G114	212C5772G106	212C5776G102	212C5777G107	--	SPLASHPROOF
212C5876G101	4.500(2)	212C5749G103	212C5772G105	212C5776G102	212C5777G106	212C5791G101	INDOOR, RELT
212C5876G102	4.500(2)	212C5749G104	212C5772G105	212C5776G102	212C5777G106	212C5791G101	SPLASHPROOF, RELT
212C5876G103	4.500(2)	212C5749G103	212C5772G105	212C5776G102	212C5777G106	--	INDOOR
212C5876G104	4.500(2)	212C5749G104	212C5772G105	212C5776G102	212C5777G106	--	SPLASHPROOF
212C5877G101	4.250(2)	212C5749G107	212C5772G102	212C5776G102	212C5777G102	212C5791G101	INDOOR, RELT
212C5877G102	4.250(2)	212C5749G108	212C5772G102	212C5776G102	212C5777G102	212C5791G101	SPLASHPROOF, RELT
212C5877G103	4.250(2)	212C5749G107	212C5772G102	212C5776G102	212C5777G102	--	INDOOR
212C5877G104	4.250(2)	212C5749G108	212C5772G102	212C5776G102	212C5777G102	--	SPLASHPROOF
212C5894G101	4.000(2)	212C5749G111	212C5772G104	212C5776G102	212C5777G105	212C5791G102	INDOOR, RELT
212C5894G102	4.000(2)	212C5749G112	212C5772G104	212C5776G102	212C5777G105	212C5791G102	SPLASHPROOF, RELT
212C5894G103	4.000(2)	212C5749G111	212C5772G104	212C5776G102	212C5777G105	--	INDOOR
212C5894G104	4.000(2)	212C5749G112	212C5772G104	212C5776G102	212C5777G105	--	SPLASHPROOF

***PLEASE NOTE: ALL THE BUSBARS AND COLLECTOR PLATES INSIDE THE METER MOD BOX ARE COPPER IRRESPECTIVE OF THE BUS MATERIAL (AL OR CU)**

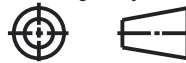


SIZE B	NUMBER 212C5770G	REV 3
SCALE 1:5	PRODUCT LINE ReliaGear busway	SHEET 4 of 5

ABB PROPRIETARY AND CONFIDENTIAL INFORMATION

The information contained in this document has to be kept strictly confidential. Any unauthorized use, reproduction, distribution or disclosure to third parties is strictly forbidden. ABB reserves all rights regarding intellectual Property Rights. Copyright 2021 ABB. All rights reserved.

Third Angle Projection



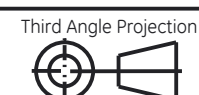


GROUP NO.	BAR WIDTH	GROUP NO.					DESCRIPTION.
		ITEM 1	ITEM 4	ITEM 6	ITEM 7	ITEM 10	
212C5878G101	4.250	212C5749G117	212C5772G109	212C5776G102	212C5777G102	212C5791G101	INDOOR, RELT
212C5878G102	4.250	212C5749G118	212C5772G109	212C5776G102	212C5777G102	212C5791G101	SPLASHPROOF, RELT
212C5878G103	4.250	212C5749G117	212C5772G109	212C5776G102	212C5777G102	--	INDOOR
212C5878G104	4.250	212C5749G118	212C5772G109	212C5776G102	212C5777G102	--	SPLASHPROOF
212C5879G101	5.750	212C5749G119	212C5772G110	212C5776G102	212C5777G101	212C5791G101	INDOOR, RELT
212C5879G102	5.750	212C5749G120	212C5772G110	212C5776G102	212C5777G101	212C5791G101	SPLASHPROOF, RELT
212C5879G103	5.750	212C5749G119	212C5772G110	212C5776G102	212C5777G101	--	INDOOR
212C5879G104	5.750	212C5749G120	212C5772G110	212C5776G102	212C5777G101	--	SPLASHPROOF
212C5880G101	6.500	212C5749G119	212C5772G110	212C5776G102	212C5777G108	212C5791G101	INDOOR, RELT
212C5880G102	6.500	212C5749G120	212C5772G110	212C5776G102	212C5777G108	212C5791G101	SPLASHPROOF, RELT
212C5880G103	6.500	212C5749G119	212C5772G110	212C5776G102	212C5777G108	--	INDOOR
212C5880G104	6.500	212C5749G120	212C5772G110	212C5776G102	212C5777G108	--	SPLASHPROOF
212C5881G101	8.250	212C5749G121	212C5772G111	212C5776G102	212C5777G109	212C5791G101	INDOOR, RELT
212C5881G102	8.250	212C5749G122	212C5772G111	212C5776G102	212C5777G109	212C5791G101	SPLASHPROOF, RELT
212C5881G103	8.250	212C5749G121	212C5772G111	212C5776G102	212C5777G109	--	INDOOR
212C5881G104	8.250	212C5749G122	212C5772G111	212C5776G102	212C5777G109	--	SPLASHPROOF
212C5882G101	2.875	212C5749G115	212C5772G108	212C5776G102	212C5777G110	212C5791G101	INDOOR, RELT
212C5882G102	2.875	212C5749G116	212C5772G108	212C5776G102	212C5777G110	212C5791G101	SPLASHPROOF, RELT
212C5882G103	2.875	212C5749G115	212C5772G108	212C5776G102	212C5777G110	--	INDOOR
212C5882G104	2.875	212C5749G116	212C5772G108	212C5776G102	212C5777G110	--	SPLASHPROOF
212C5883G101	3.375	212C5749G115	212C5772G108	212C5776G102	212C5777G111	212C5791G101	INDOOR, RELT
212C5883G102	3.375	212C5749G116	212C5772G108	212C5776G102	212C5777G111	212C5791G101	SPLASHPROOF, RELT
212C5883G103	3.375	212C5749G115	212C5772G108	212C5776G102	212C5777G111	--	INDOOR
212C5883G104	3.375	212C5749G116	212C5772G108	212C5776G102	212C5777G111	--	SPLASHPROOF
212C5890G101	4.500	212C5749G117	212C5772G109	212C5776G102	212C5777G106	212C5791G101	INDOOR, RELT
212C5890G102	4.500	212C5749G118	212C5772G109	212C5776G102	212C5777G106	212C5791G101	SPLASHPROOF, RELT
212C5890G103	4.500	212C5749G117	212C5772G109	212C5776G102	212C5777G106	--	INDOOR
212C5890G104	4.500	212C5749G118	212C5772G109	212C5776G102	212C5777G106	--	SPLASHPROOF
212C5891G101	7.500	212C5749G121	212C5772G111	212C5776G102	212C5777G104	212C5791G101	INDOOR, RELT
212C5891G102	7.500	212C5749G122	212C5772G111	212C5776G102	212C5777G104	212C5791G101	SPLASHPROOF, RELT
212C5891G103	7.500	212C5749G121	212C5772G111	212C5776G102	212C5777G104	--	INDOOR
212C5891G104	7.500	212C5749G122	212C5772G111	212C5776G102	212C5777G104	--	SPLASHPROOF

*PLEASE NOTE: ALL THE BUSBARS AND COLLECTOR PLATES INSIDE THE METER MOD BOX ARE COPPER IRRESPECTIVE OF THE BUS MATERIAL (AL OR CU)

ABB		
SIZE C	NUMBER 212C5770G	REV 3
SCALE 1:5	PRODUCT LINE ReliaGear busway	SHEET 5 of 5

ABB PROPRIETARY AND CONFIDENTIAL INFORMATION
 The information contained in this document has to be kept strictly confidential. Any unauthorized use, reproduction, distribution or disclosure to third parties is strictly forbidden. ABB reserves all rights regarding Intellectual Property Rights. Copyright 2021 ABB. All rights reserved.



D
C
B
A