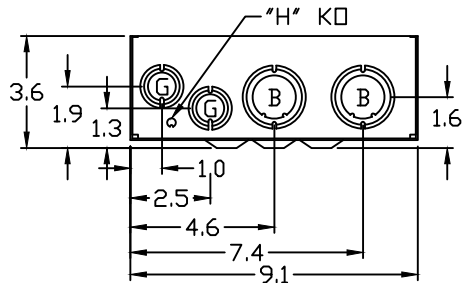
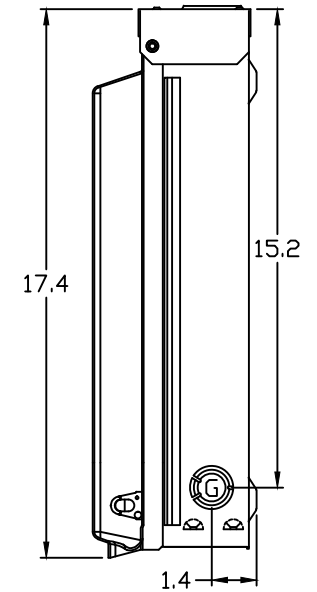
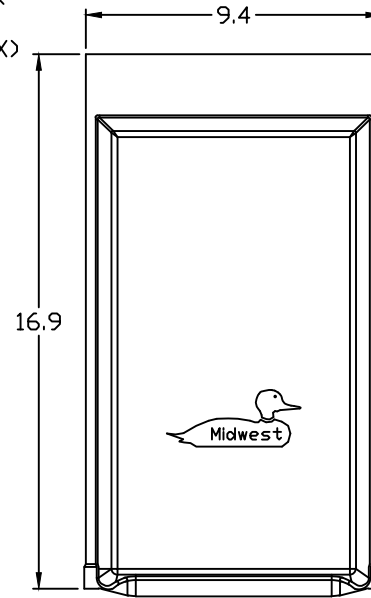
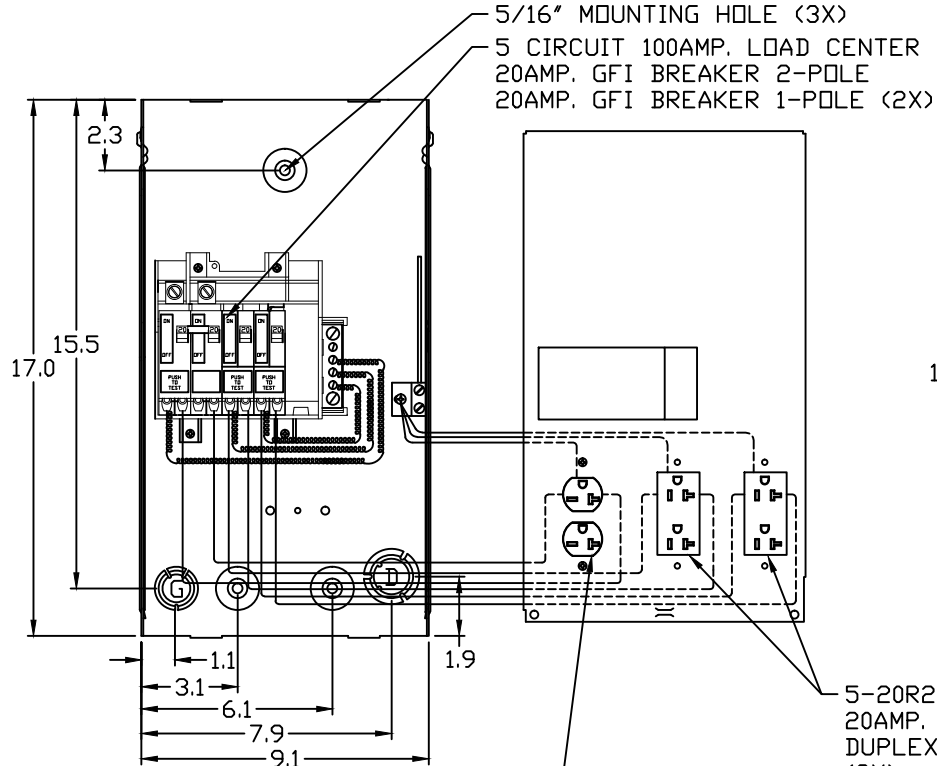
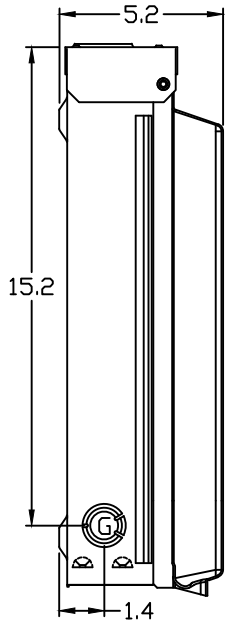


**KNOCKOUT TABLE:**

G= 1/2", 3/4", 1" KO
D= 3/4", 1", 1-1/4" KO
B= 1", 1-1/4", 1-1/2" KO
H= 9/32" KO



**WIRE RANGE TABLE:**

CONNECTOR	COPPER		ALUMINUM	
	SOLID	STRAND	SOLID	STRAND
LINE	14-8	14-1/0	12-8	12-1/0
LOAD	14-10	14-10	-----	-----
NEUTRAL-(L.G. HOLE)	12-8	12-1/0	10-8	10-1/0
NEUTRAL-(SM. HOLE)	14-8	14-4	12-8	12-4
EQUIP. GRND.	12-8	12-2	12-8	12-2

MIDWEST ELECTRIC PRODUCTS  
 Plainville, CT

Dr. By: BHARGAVA  
 Ck. By:  
 CR: C009688

\* = Critical To Quality  
 Unless Otherwise Specified

AutoCad Generated

Tolerances On:  
 3 Pl. Decimals ± .010  
 2 Pl. Decimals ± .030  
 Fractions ± 1/32  
 Angles ± 1/2°  
 Holes ± .003

Dimensions Are In Inches

SCALE 1:1  
 SIZE A

SHEET 1 OF 1

TITLE: U038G033  
 OUTLINE DRAWING

DWG NO: 265A6223

SH52

Rev.1 CN C009688 BM 01-06-16