

14

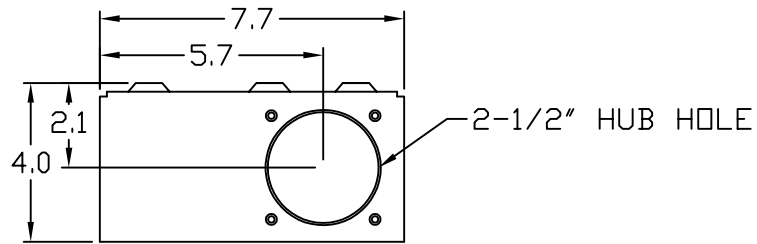
13

12

11

D

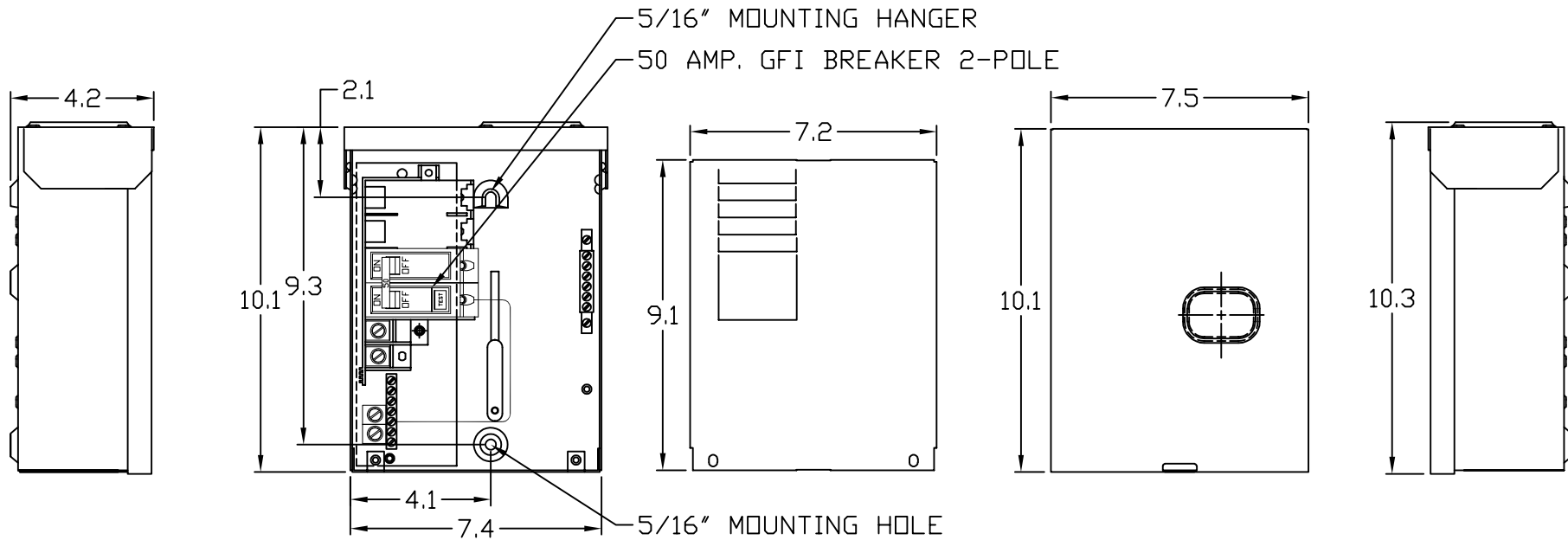
D



WIRE RANGE:
#6-2/0 AWG CU-AL

C

C

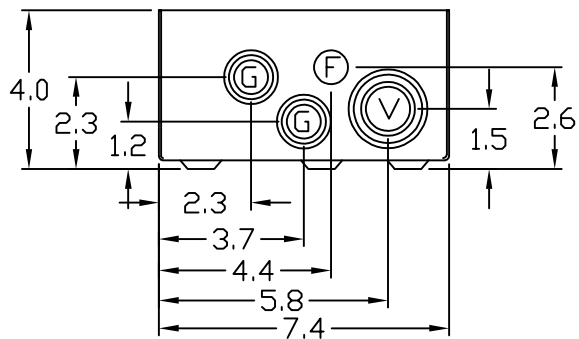


B

B

A

A



KNOCKOUT TABLE:

F = 1/2" KO
G = 1/2", 3/4", 1" KO
V = 3/4", 1", 1-1/4", 1-1/2" KO



TLC412R250GF
OUTLINE DRAWING

THIRD ANGLE	SHEET#	DWG NO.	DATE	REV
	1 of 1	265A6315SH10	11/20	01

14

13

12

11