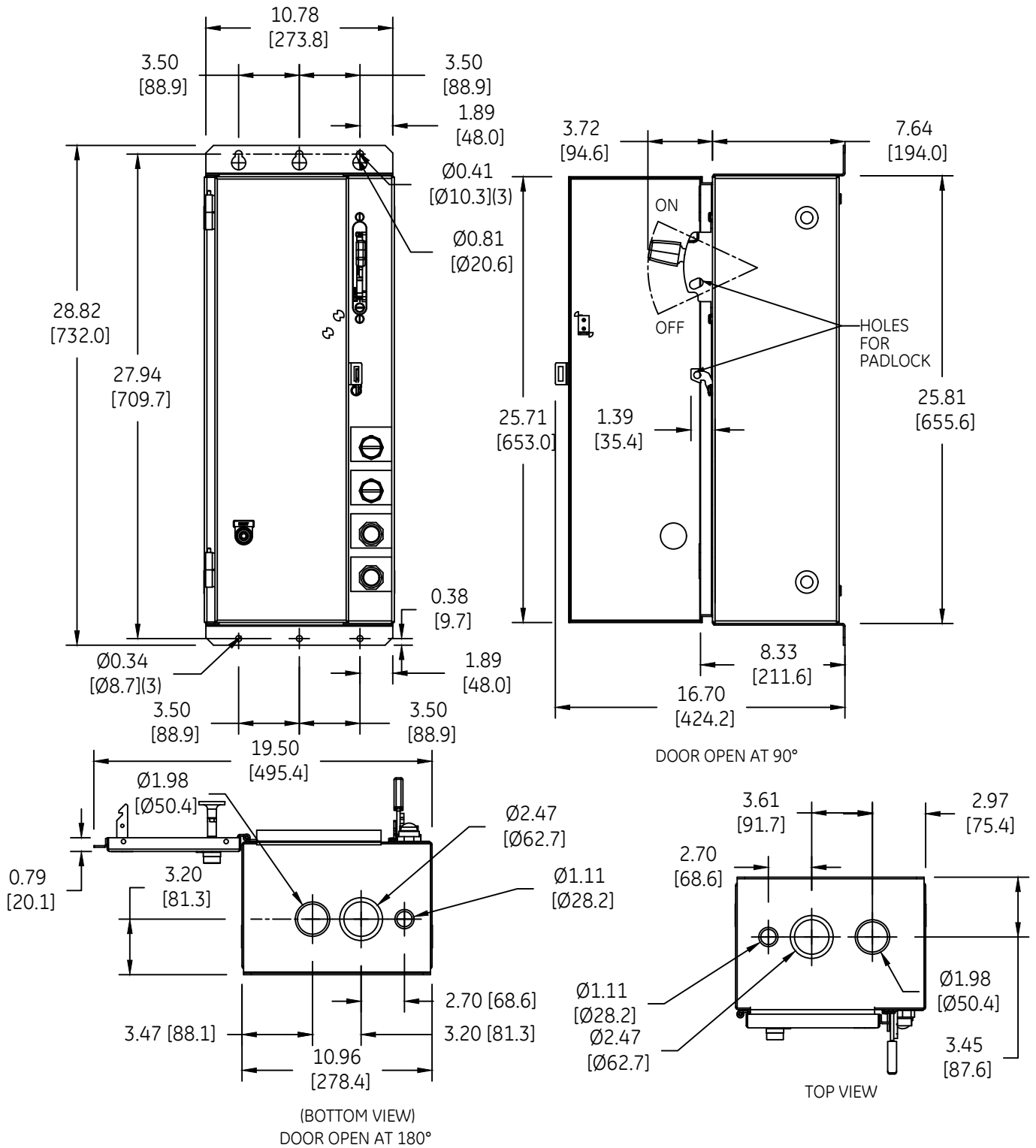


DUAL DIMENSIONS INCHES (ESTIMATING ONLY)  
[MILLIMETERS]



OUTLINE  
TYPE 1 ENCLOSED

THIRD ANGLE	SHEET#	DWG NO.	DATE	REV
	1 of 1	270A7144	03/21	05