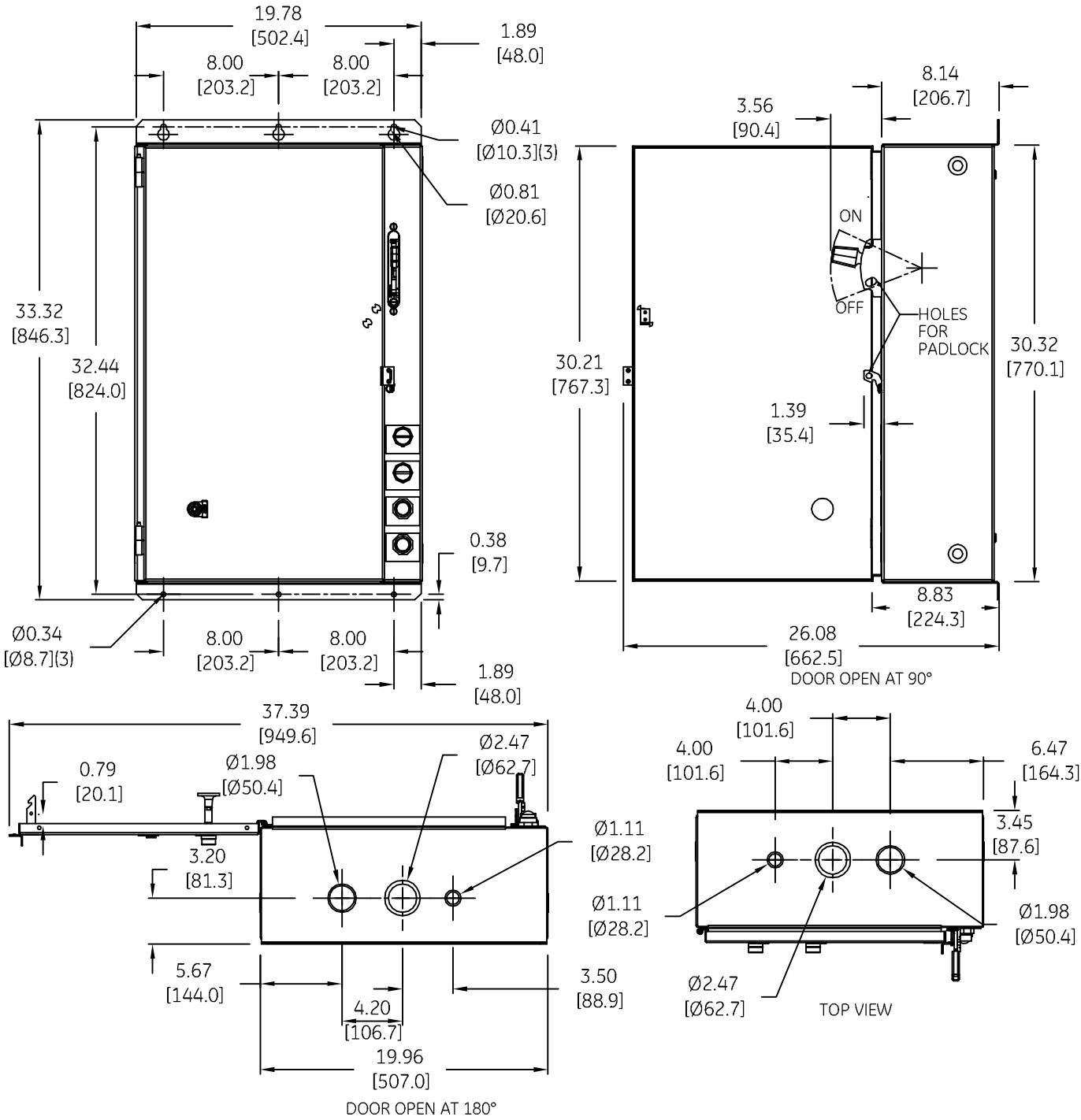



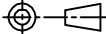
DUAL DIMENSIONS INCHES (ESTIMATING ONLY)
[MILLIMETERS]



 imagination at work

OUTLINE
TYPE 1 ENCLOSED

DWG NO.	DATE	REV
270A7145	12/19/2009	4

AN #	THIRD ANGLE PROJECTION	SHEET #
BL-0313		1 OF 1