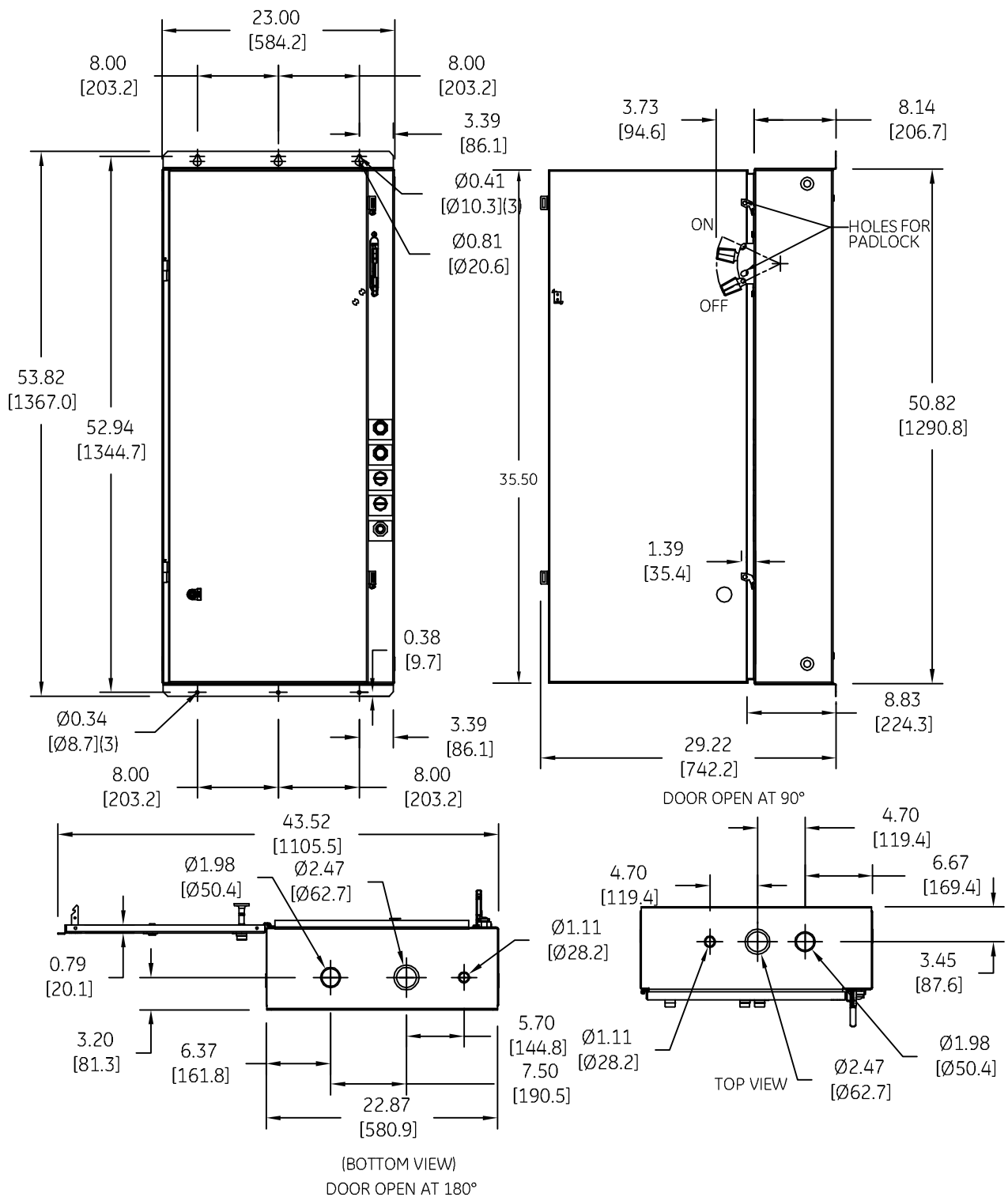


DUAL DIMENSIONS INCHES (ESTIMATING ONLY)
[MILLIMETERS]



imagination at work

OUTLINE
TYPE 1 ENCLOSED

AN #	THIRD ANGLE PROJECTION	SHEET #
BL-0313		1 OF 1

DWG NO.	DATE	REV
270A7146	12/19/2009	3