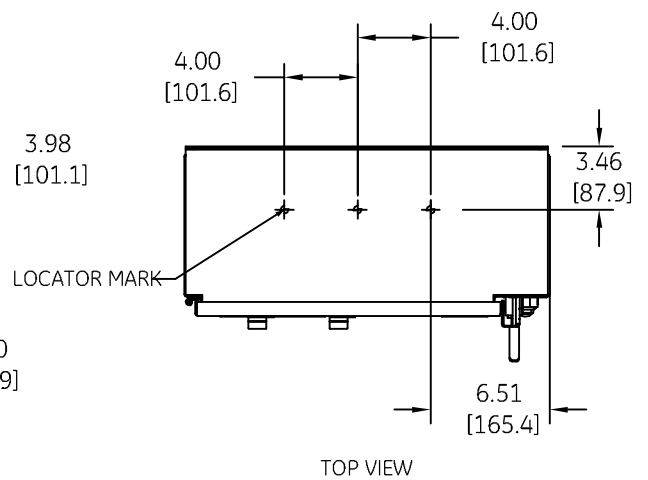
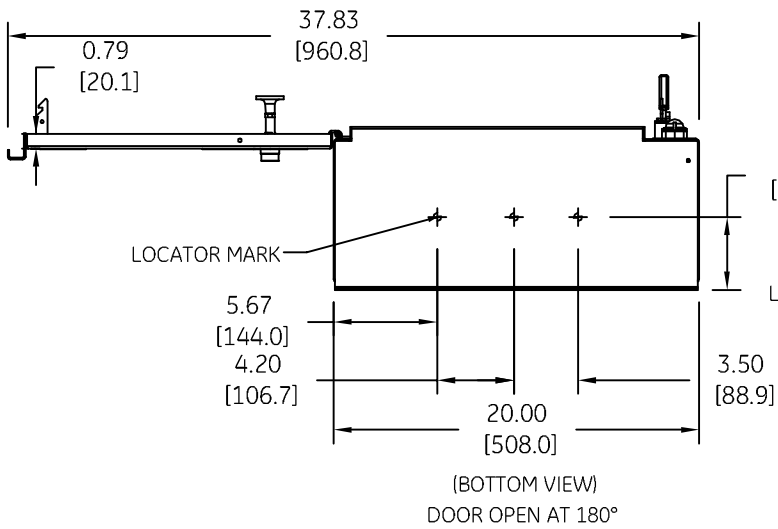
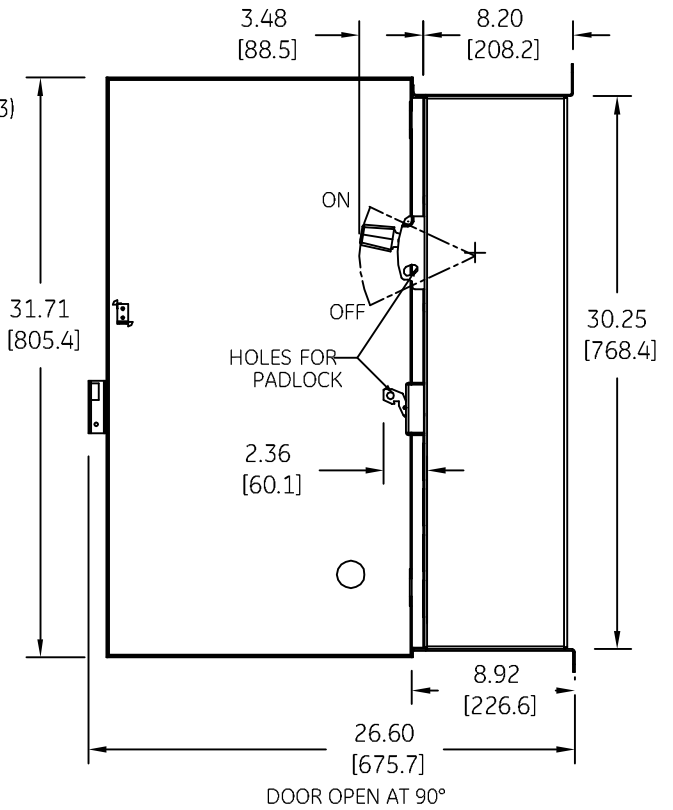
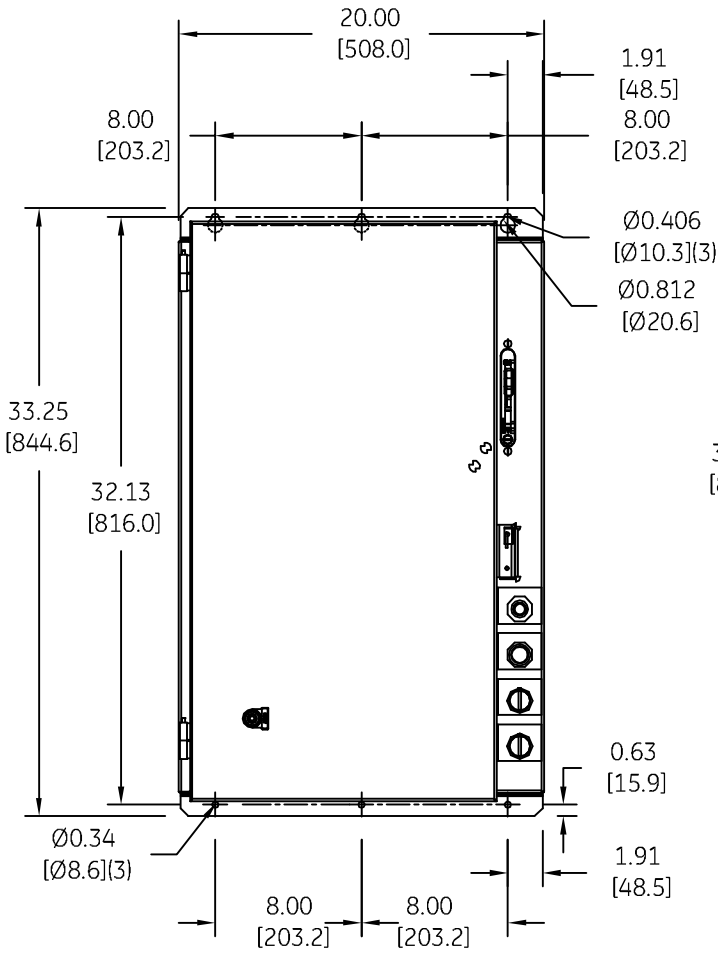

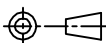


DUAL DIMENSIONS INCHES (ESTIMATING ONLY)
[MILLIMETERS]




 imagination at work
 OUTLINE
 TYPE 12/3R ENCLOSED
 DWG NO. 270A7149 DATE 12/19/2009 REV 4

AN #	THIRD ANGLE PROJECTION	SHEET #
BL-0313		1 OF 1