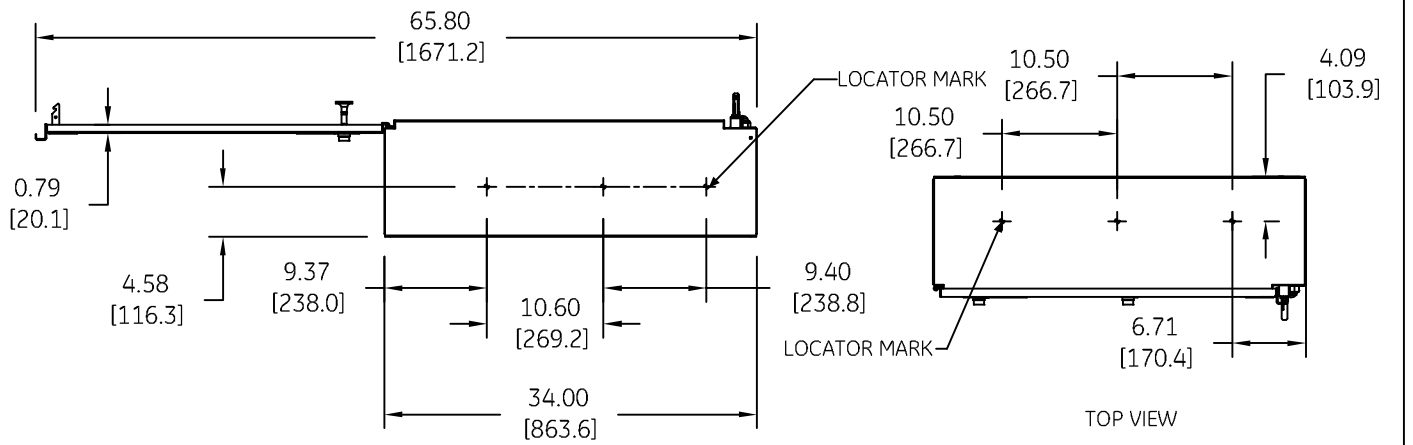
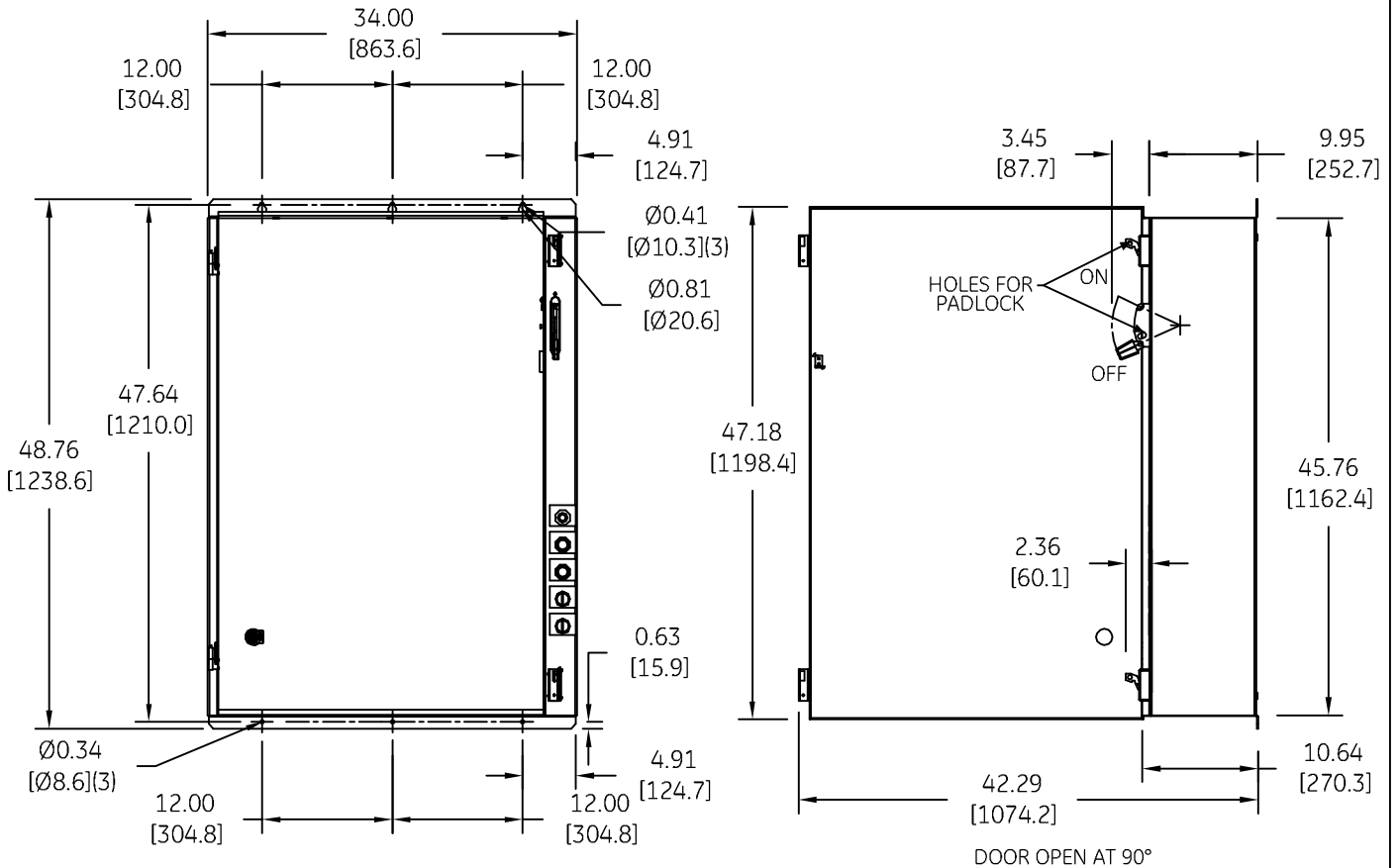



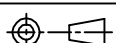
DUAL DIMENSIONS INCHES (ESTIMATING ONLY)
[MILLIMETERS]



 imagination at work

OUTLINE
TYPE 12/3R ENCLOSED

DWG NO.	DATE	REV
270A7151	12/19/2009	3

AN #	THIRD ANGLE PROJECTION	SHEET #
BL-0313		1 OF 1