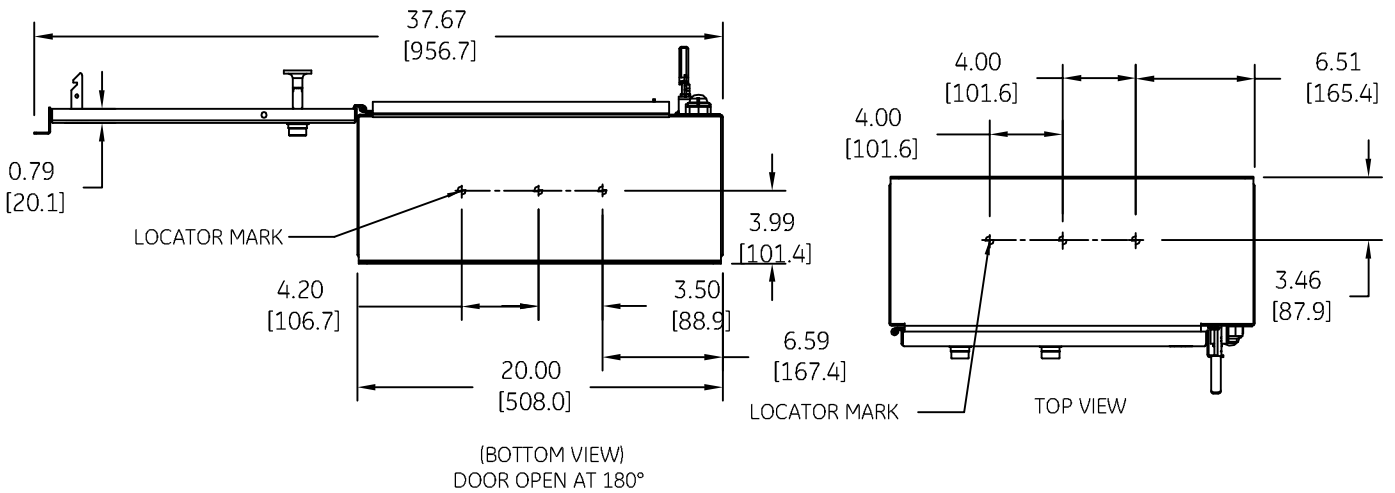
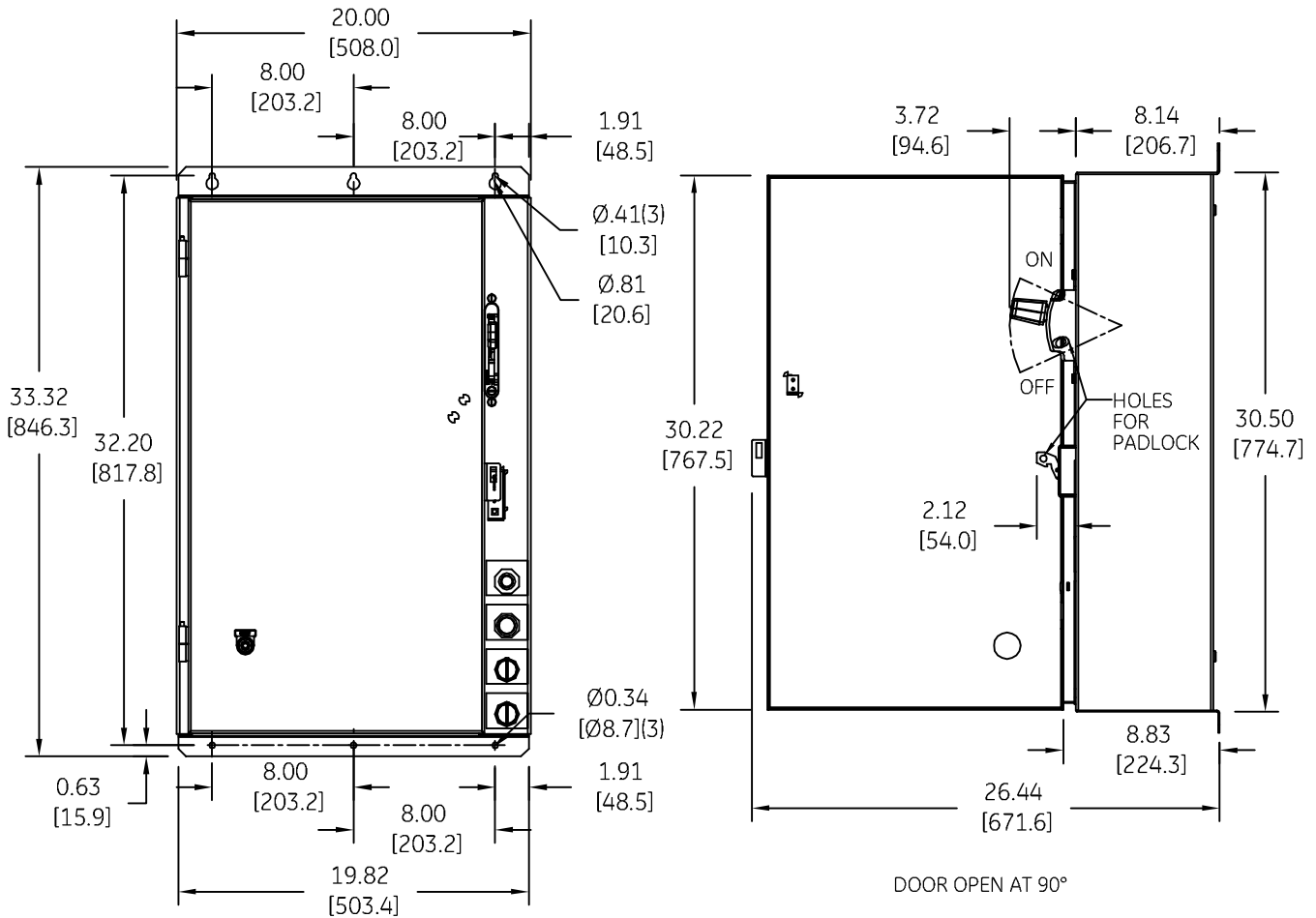


DUAL DIMENSIONS INCHES (ESTIMATING ONLY)  
[MILLIMETERS]



imagination at work

OUTLINE  
TYPE 4/4X ENCLOSED

AN #	THIRD ANGLE PROJECTION	SHEET #
BL-0313		1 OF 1

DWG NO.	DATE	REV
270A7153	12/19/2009	5